

Ericsson “Etelphone” Secretarial Plansets

I have collected or been sent a number of paster labels, circuit diagrams, of several different types of secretarial planset made by Ericsson/ Plessey. Thanks to Andrew Emmerson, Ian Stubbs and Andrew Tebbutt for the drawings.

First we have Drawing No 203212 a two- or three-station system with one exchange line with a secretary serving one or two managers. Only four buttons and an indicator lamp are required on the secretary’s phone. This is Model N1906 that was widely used on British Railways. The system manual is [etelphone_n1906.pdf](#) which has both parts of the circuit diagram, Figs 1 & 2, on Page 19, together with interconnection details. More information on Bob Freshwater’s site here:

<http://www.britishtelephones.com/ericsson/n1906.htm>

Next is Drawing No 203072, which relates to the model N1906D, details shown at:

<http://www.britishtelephones.com/ericsson/n1906d.htm>

It provides for the secretary and manager to have access to a joint exchange line. There are intercommunication facilities, and, if required, an exclusive extra exchange line at either or both stations, i.e. a maximum of three exchange lines. There are six spring contact sets shown, but only four actual buttons, red, blue, green and ivory. How these work is explained in the notes on page 4 (thanks to Tony Duell for this).

Finally we have Drawing No 201734 which is for a two-station systems with separate exchange lines for the secretary and manager. Only four buttons are required on each telephone.

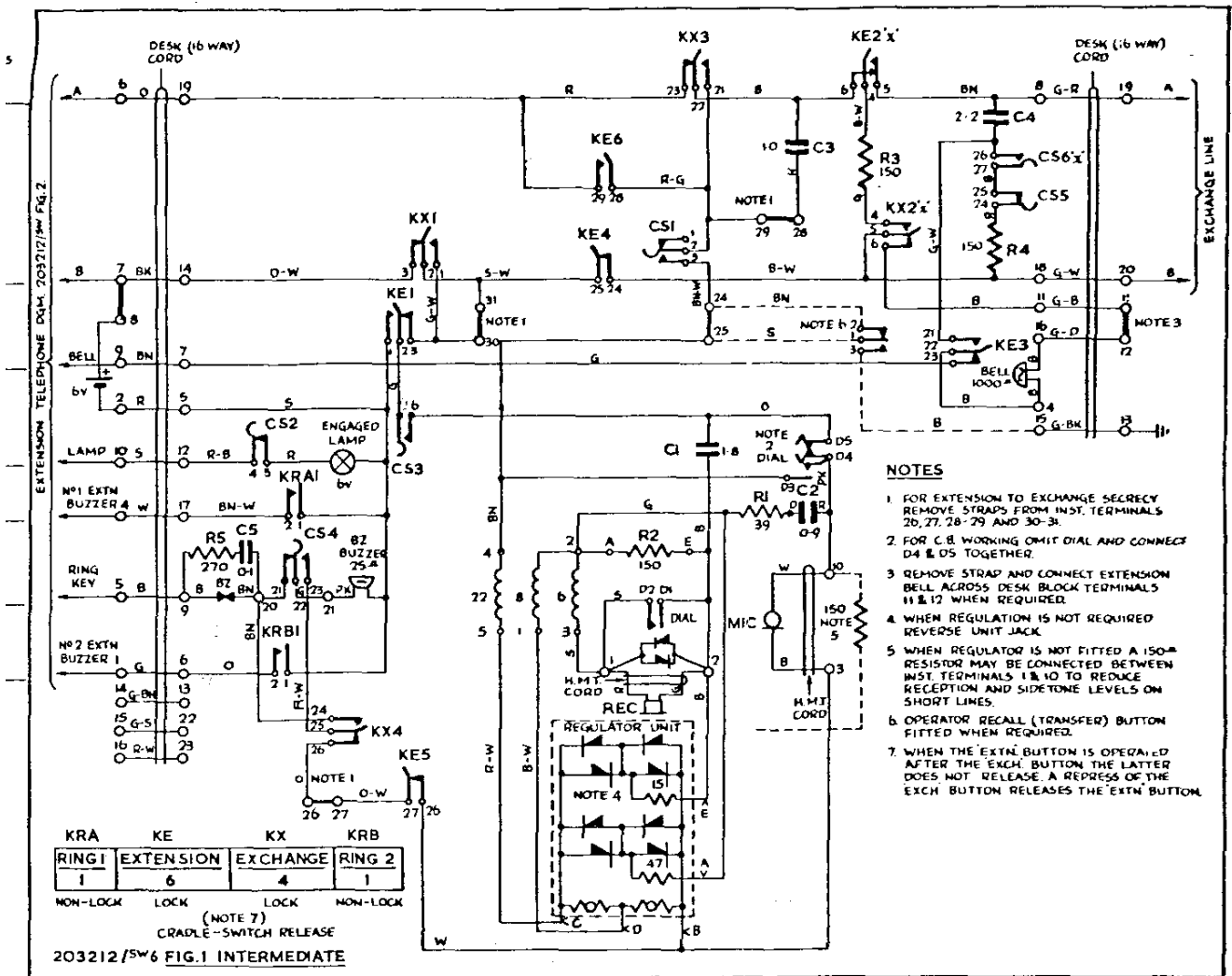
I found the leaflet on Page 8 on a UK Vintage Radio Forum at

<http://www.vintage-radio.net/forum/showthread.php?t=107152>

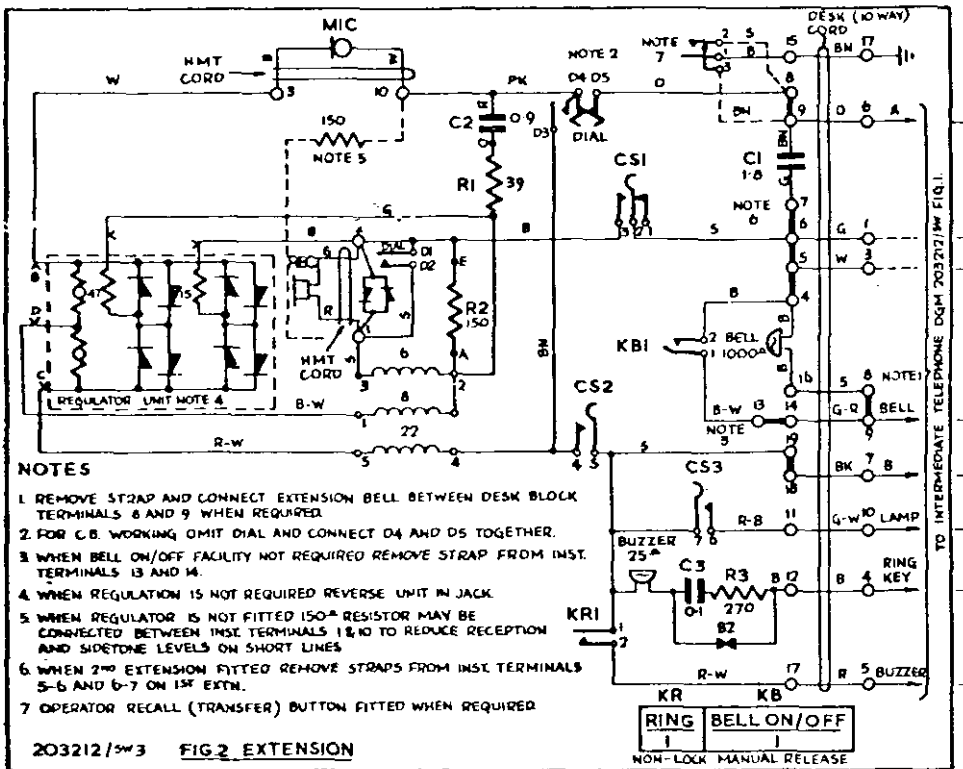
It was stated that it refers to the system Dwg 201734 above where the manager’s phone can be replaced by a loudspeaking unit known as a “PAXmaster”. Sorry about the poor quality.

| | |
|--------------------------------------|---|
| Drawing 203212 Fig 1 | 2 |
| Drawing 203212 Fig 2 | 3 |
| Drawing 203072 Fig 1 | 4 |
| Drawing 203072 Fig 2 | 5 |
| Drawing 201734 Fig 1 | 6 |
| Drawing 201734 Fig 2 | 7 |
| Leaflet: Plan-Etelphone Type 9 | 8 |

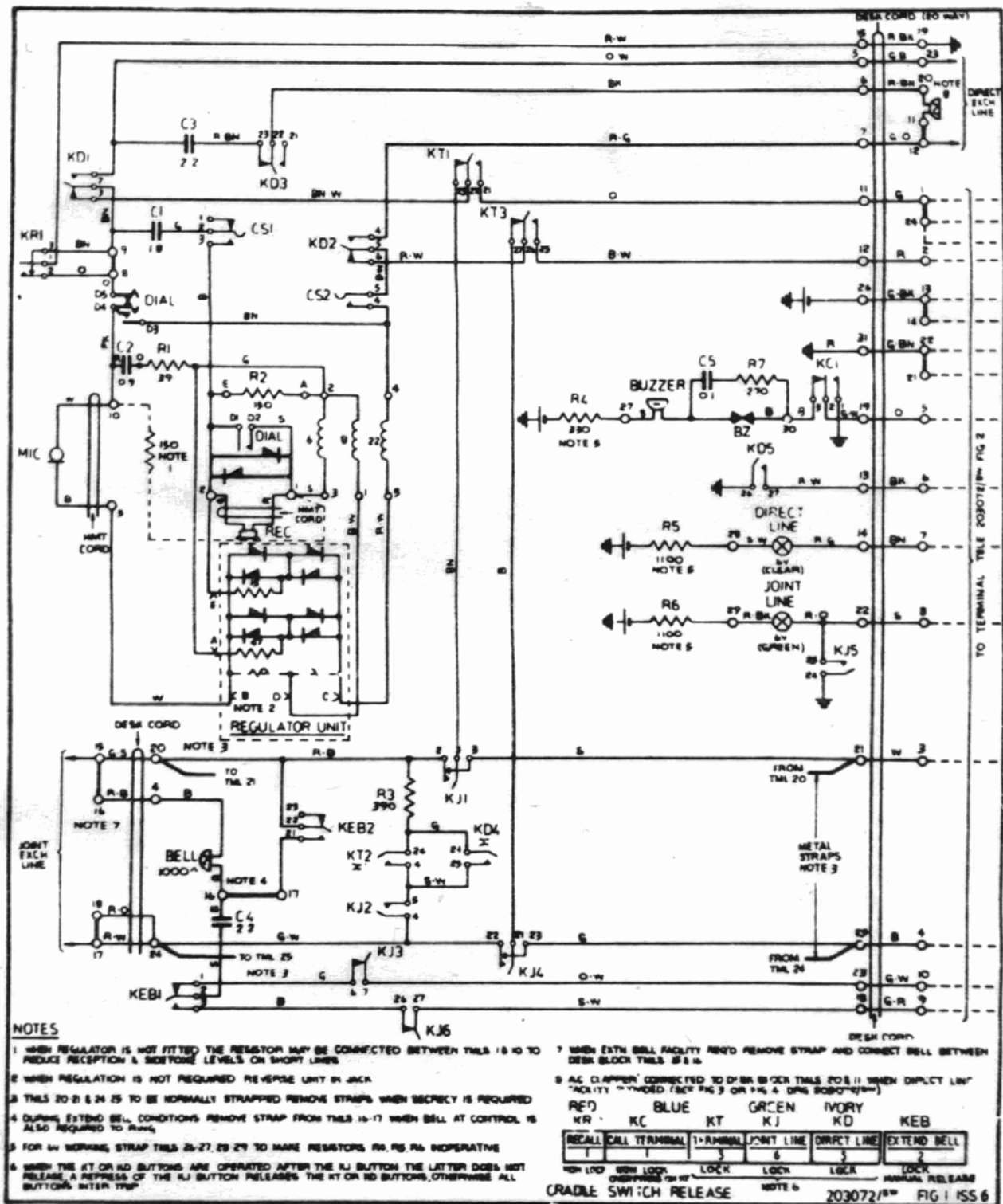
Drawing 203212 Fig 1



Drawing 203212 Fig 2



Drawing 203072 Fig 1



The 6 switch sets shown on the diagram, they are operated as follows :

KR (Recall) : Momentary on red button

KT (Terminal) : Latching on blue button, released by green or white buttons, or cradle

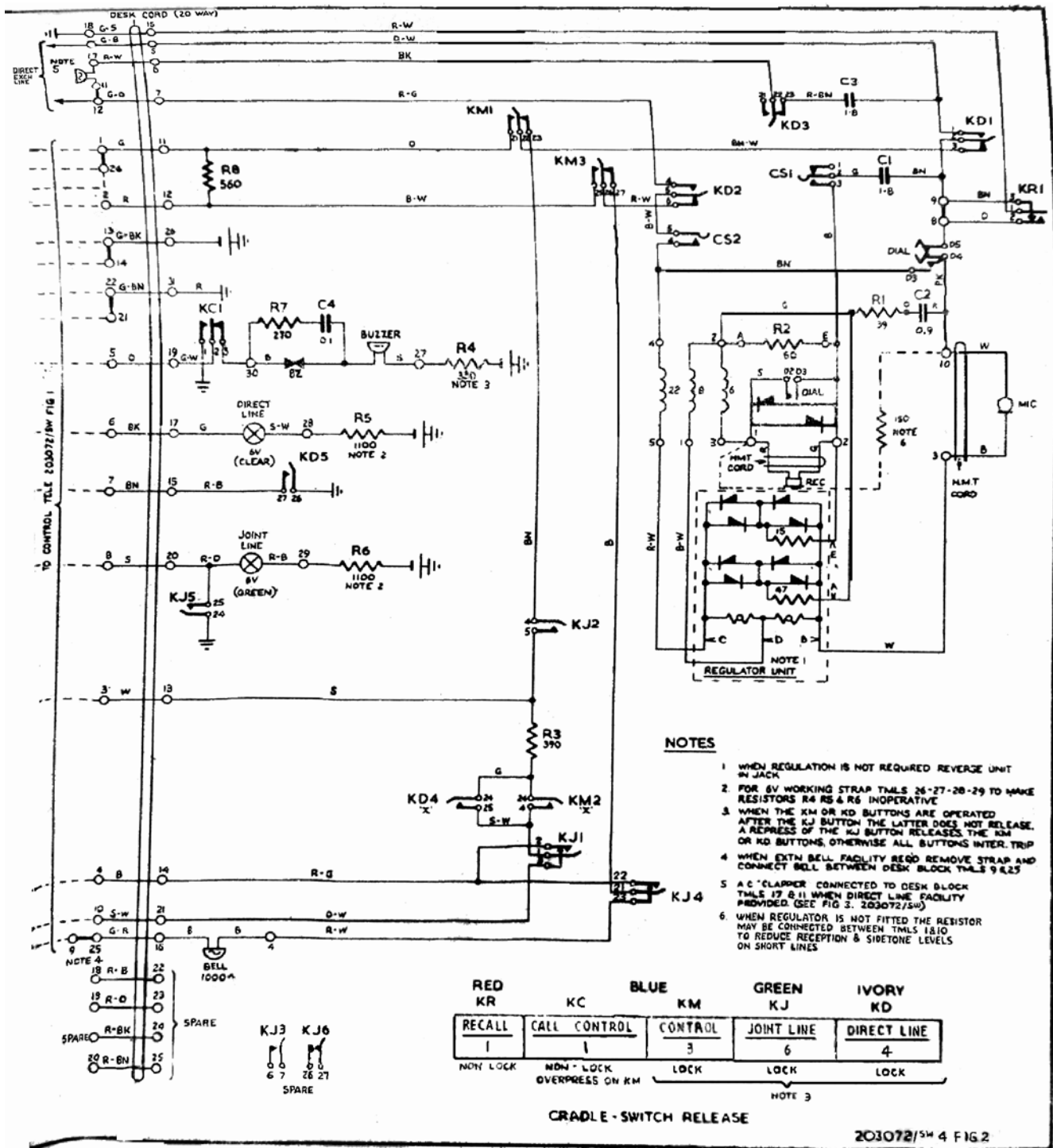
KD (Direct Line) : Latching on white button, release by blue or green buttons, or cradle

KC (Call terminal) : Momentary on blue button

KJ (Joint Line) : Latching on green button, released by cradle

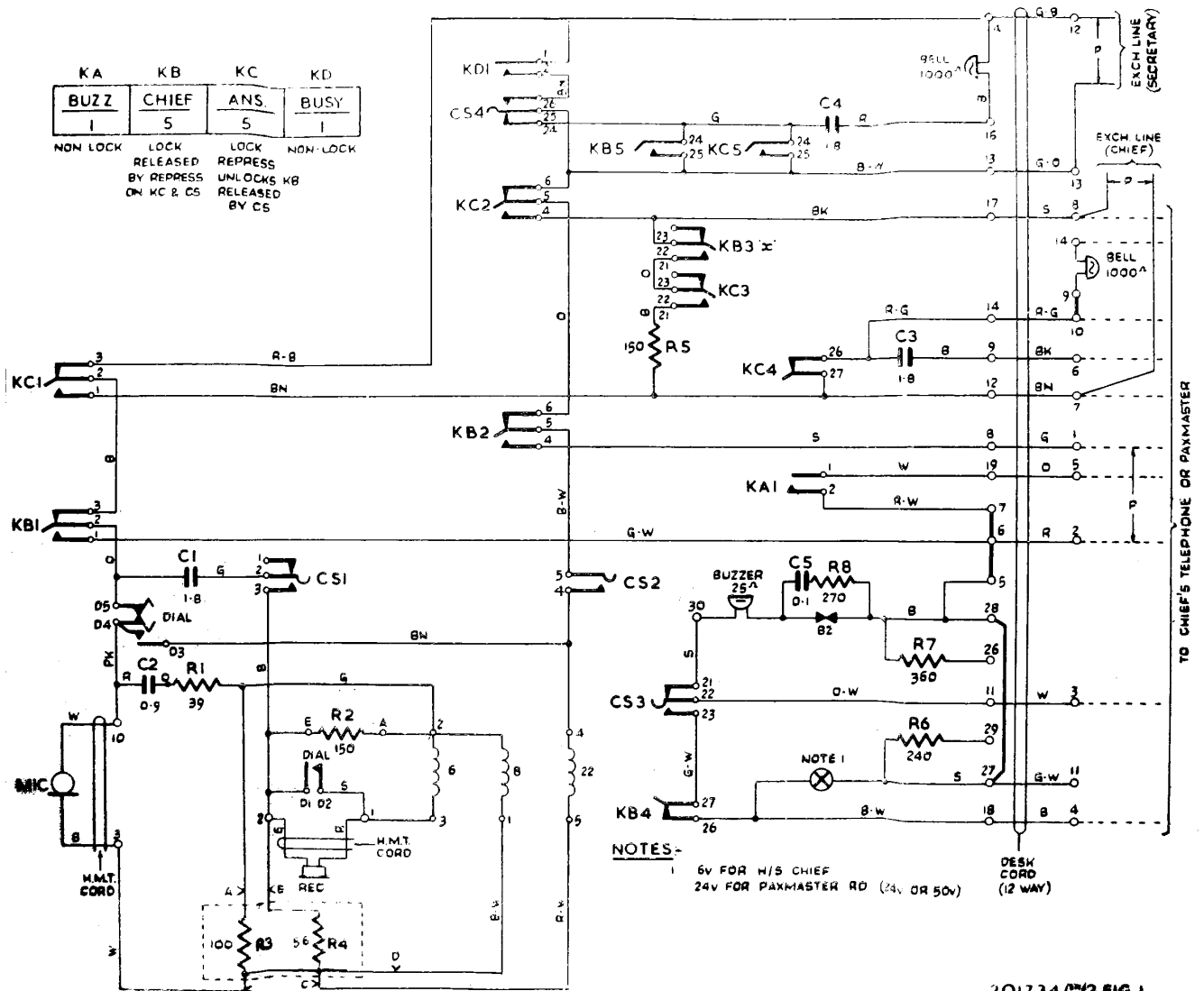
KEB (Extend Bell) : Toggle switch (latching in both positions) on front of set.

Drawing 203072 Fig 2



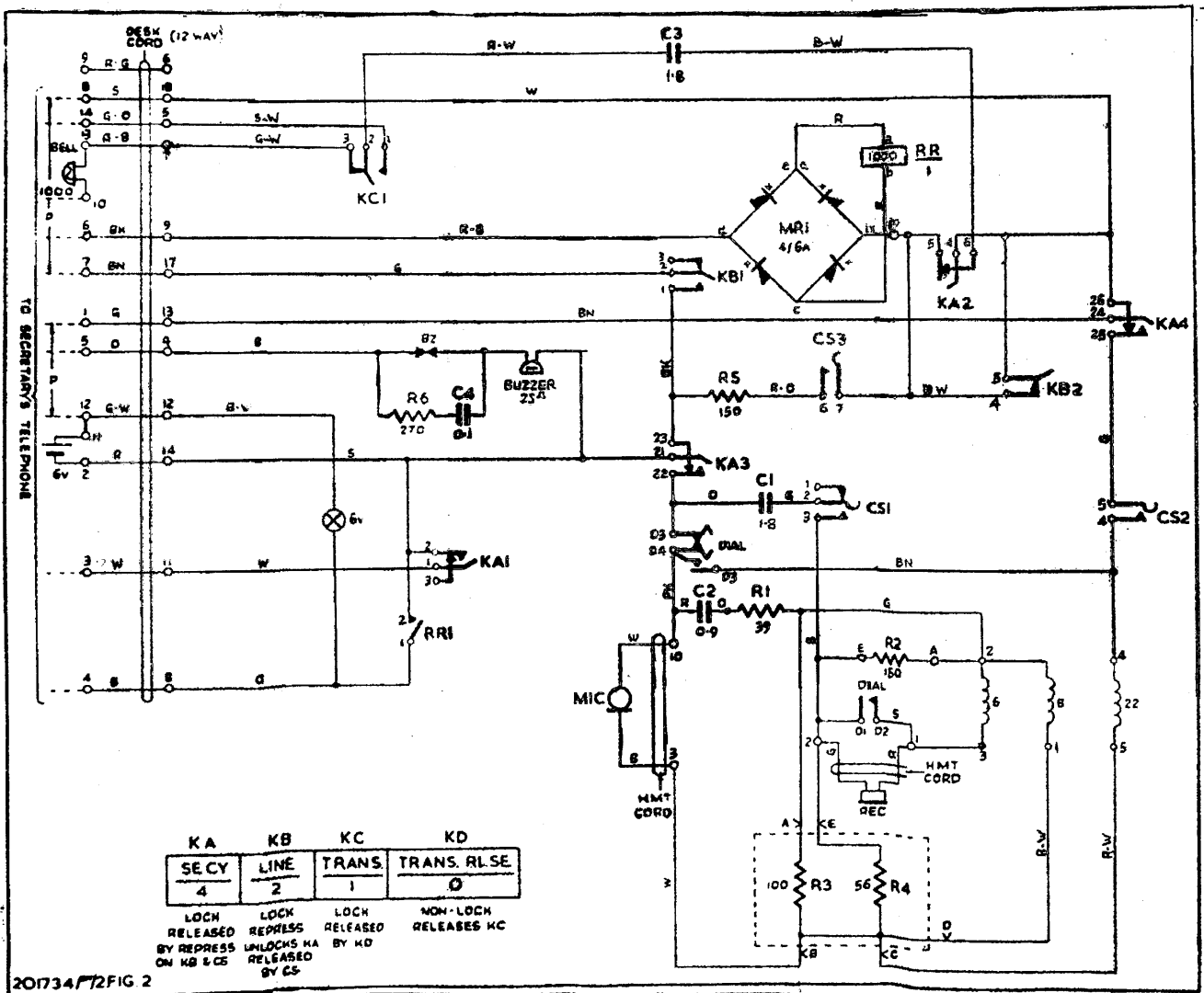
As for the Fig 1 telephone, the function of KC is obtained by pressing the blue key beyond the normal locking position. The red, green and ivory buttons have only one contact set each.

Drawing 201734 Fig 1



201734/1/2.FIG.1

Drawing 201734 Fig 2



| KA | KB | KC | KD |
|------|------|--------|-------------|
| SECY | LINE | TRANS. | TRANS. RLSE |
| 4 | 2 | 1 | 0 |

LOCK RELEASED BY REPRESS ON KB & CS

LOCK REPRESS UNLOCKS KA RELEASED BY CS

LOCK RELEASED BY KD

NON-LOCK RELEASES KC

201734 FIG 2

Leaflet: Plan-Etelephone Type 9

PLAN-E TELEPHONE TYPE 9

A SECRETARY'S AND CHIEF'S TELEPHONE WITH SEPARATE EXCHANGE LINES AND RINGING LAMPS

This is a secretarial plan designed specifically for P.A.X. installations.

It is associated with two exchange lines and consists of a secretary's telephone and a chief's telephone.

One exchange line is for the secretary's exclusive use, whilst the other serves the executive for direct and filtered exchange calls.

Indication of an incoming exchange call on the chief's line is given by a lamp in each telephone in addition to an audible signal, which may be received at either instrument under control of the chief.

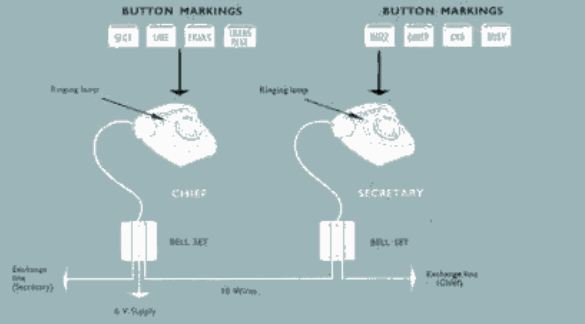
During local intercommunication, incoming exchange calls on the chief's line are indicated by lamp only.

Information calls and direct exchange calls can be made from both telephones.

INTERNAL SYSTEM



PLAN-E TELEPHONE TYPE 9 INTERNAL SYSTEM



- Chief to Exchange. The chief can call the exchange direct.
- Secretary to Exchange (Secretary's Line). The secretary can call the exchange direct, no switching being required.
- ▬ Secretary to Exchange (Chief's Line): Revertive Call. The secretary normally makes outgoing calls on the chief's line only at the request of the chief.
- ┌─ Intercom Calls. Calling is by d.c. buzzer. Both telephones receive visual indication of incoming exchange calls.
- ┌─ Information Calls. I.e. local intercommunication with exchange line held—can be made from both telephones.
- ┌─ Transfer. After an information call, the exchange call can be accepted at the called telephone.
- ┌─ Return to Exchange Line. Both telephones have provision for returning to the exchange call should it not be accepted by the called party.
- ┌─ Incoming Calls (Chief's Line). A lamp on both telephones indicates incoming exchange ringing. The exchange line bells are controlled by a key at the chief's telephone.
- ┌─ Power. Power supply is 6 volts and may be derived from a local dry battery, power unit or power feed.
- ┌─ Cabling. Ten conductors are required between instruments.



ERICSSON TELEPHONES LIMITED • ETELCO LIMITED

Head Office and Main Works: BILSTON, NOTTINGHAM, ENGLAND Tel: Nottingham 3500 Telex: 5348 Cable: Ericsson, Birmingham