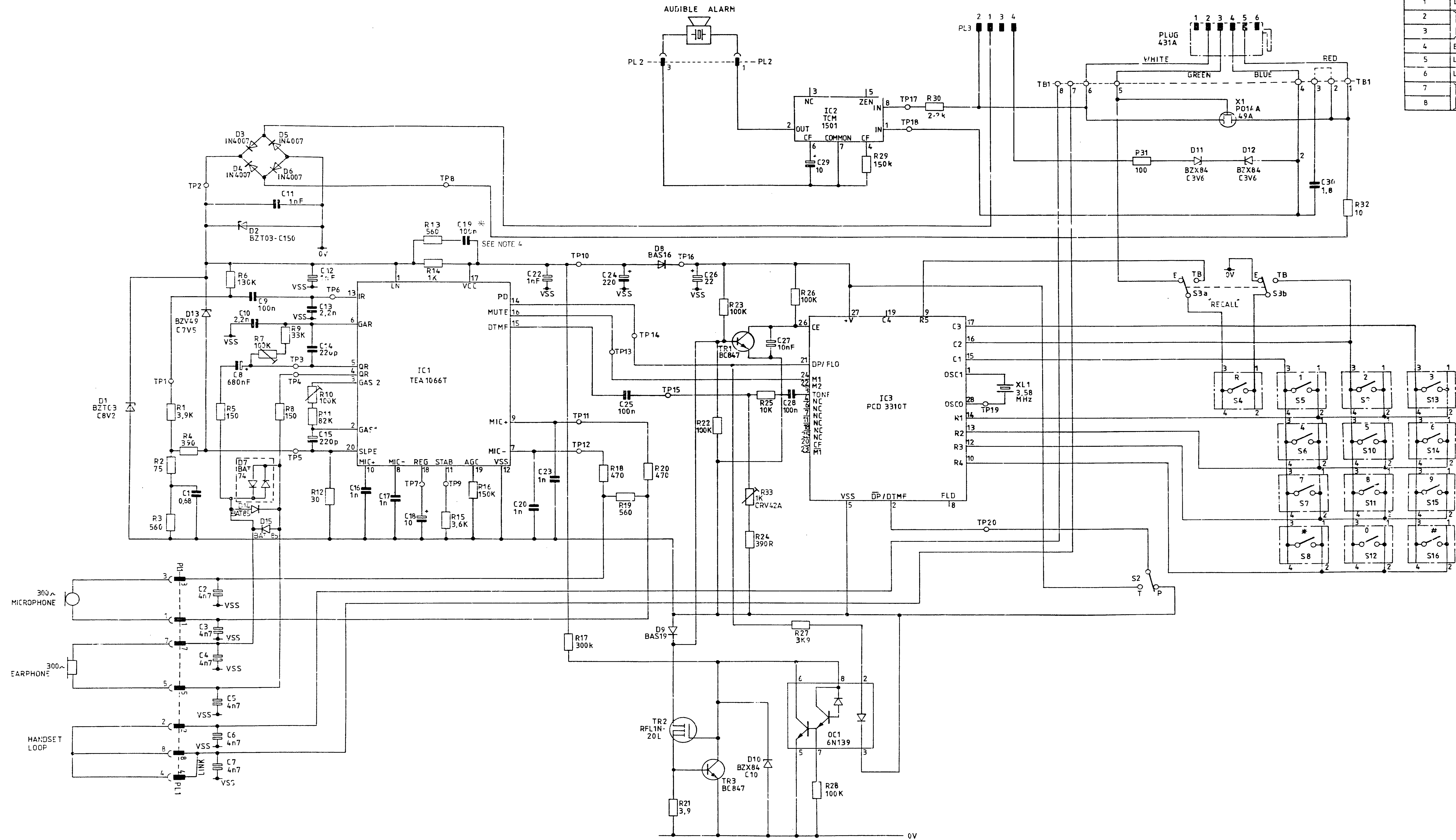


|          |                |
|----------|----------------|
| APPROVED |                |
| C.R.S.   |                |
| CHEKED   |                |
| C.V.P.   |                |
| DRAWN    | 2 5.2.99 1994  |
| V.S.     | 20.11.97 1.820 |

N.B. REFER TO GENERIC CIRCUIT (A0/553617/0) BEFORE ALTERING THIS DIAGRAM.

|          |         |   |  |
|----------|---------|---|--|
| MATERIAL | NUMBERS | RACAL ACUSTICS LTD.<br>WINDY INDUSTRIAL PARK<br>WINDY ROAD, WINDY, WILTSHIRE, WILTS, BA1 1AA                        | CONTRACTORS DRAWING NUMBER<br><b>A0/553617/8</b> |
| FINISH   | DIMS IN | TITLE<br><b>CIRCUIT DIAGRAM FOR<br/>WEATHERPROOF TELEPHONE (A0/553617/0)<br/>CS 'PRESS-TO-CALL' NON-ILLUMINATED</b> | SERVICE DRAWING NUMBER/SHEET NUMBER              |
|          | SCALE   |   |  |

| TB1 CONNECTION TABLE |                                  |
|----------------------|----------------------------------|
| TB1 PIN              | FUNCTION                         |
| 1                    | LINE B                           |
| 2                    | LINK FOR INTERNAL BELL CA        |
| 3                    |                                  |
| 4                    | BELL SHUNT LINE                  |
| 5                    | LOCAL EARTH RECALL (PABX'S ONLY) |
| 6                    | LINE A                           |
| 7                    |                                  |
| 8                    | HANDSET LOOP                     |



- NOTES:-
- D14 & D15 ARE NOT FITTED WHEN D7 IS FITTED
  - FOR DETAILS OF COMPONENTS REFER TO ITEMS LIST A1/503285.
  - FOR B.R.B. VERSION, PINS 2 AND 3 ON TB1 ARE LINKED.
  - NOT FITTED

| ISSUE | DATE     | BY    | MOD |
|-------|----------|-------|-----|
| 1     | 11-1-96  | 13322 |     |
| 2     | 11-11-94 | 7023  |     |
| 3     | 11-11-94 | 7120  |     |
| 4     | 18-9-87  | 7349  |     |
| 5     | 11-11-94 | 8575  |     |
| 6     | 11-11-94 | 9282  |     |
| 7     | 11-11-94 | 9766  |     |

|          |  |  |   |
|----------|--|--|---|
| MATERIAL | TOLERANCES<br>WHOLE NUMBERS :<br>ONE PLACE DECIMALS :<br>TWO PLACE DECIMALS :<br>UNLESS OTHERWISE STATED | RACAL ACOUSTICS LTD.<br>BERESFORD AVE. WEMBLEY, MIDDX. HA0 1RU<br>M.O.D. | SECURITY CLASSIFICATION                 |
| FINISH   | DIMS. IN   | TITLE<br>CIRCUIT DIAGRAM FOR P.E.C<br>WEATHERPROOF TELEPHONE 2C708/1     | CONTRACTORS DRAWING NUMBER<br>A0/S03256 |
|          | SCALE  | SERVICE DRAWING NUMBER / SHEET NUMBER                                    |   |