



TABLE TELEPHONE
AUTO
N1906H15T-H21T

**PLESSEY TELECOMMUNICATIONS
PLESSEY COMMUNICATIONS AND DATA SYSTEMS LIMITED
Beeston, Nottingham, England NG9 1LA**

PLEASE NOTE

In order that customers may benefit from the improvements made from time to time in the design of components, the current equivalent of any part ordered is always supplied.

It will be interchangeable with the original part but may not necessarily bear the identical Code No.

COLOUR RANGE

PLEASE NOTE :

The Plan Etelphone Types 1, 2, 3 and 15 are available in Two-Tone Grey, Ivory and Black

Spare parts are obtainable in the full colour range

TABLE TELEPHONE, AUTO.

N1906 TYPE



A Typical Plan Telephone

PLAN-ETELPHONE TYPE 1
INTERMEDIATE & EXTENSION TELEPHONES
FOR INTERNAL WORKING

The Plan-Etelphone Type 1 is a battery calling system consisting of an intermediate and either one or two extension telephones, located in the same building. Facilities are listed below.

An auto dial, normally with standard numbering, is provided for calling the exchange, and push buttons for internal calling, switching etc., the buttons being designated (from left to right) as follows:-

<u>Intermediate Telephone</u>	<u>Extension Telephone</u>
'Ring 1'	'Ring'
'Extn.'	'On/Off (2-posn. button)'
'Exch.'	
'Ring 2'	

The intermediate telephone contains a lamp which acts as a supervisory signal to show when the exchange line is engaged by the extension. It also contains the buzzer on which local calls are signalled and an a.c. bell for incoming exchange calls.

The extension telephone also contains both buzzer and a.c. bell.

The 6 volt battery required for local ringing and speech current is supplied only when ordered.

Basic Facilities on the Intermediate Telephone

Intermediate to exchange. Intermediate to extension.

Information call (intermediate to extension with exchange line held).

Through connection between exchange and extension on replacement of hand-set, incoming ringing normally signalled and answered on the intermediate.

Additional Facilities

Extension to exchange conversation can be made secret, or non-secret, from the intermediate by appropriate terminal strapping.

Indication that the exchange line is engaged by the extension is provided by a lamp.

Provision is made for one or two extensions, with selective ringing from the intermediate in the latter case.

Terminals for connecting an external a.c. bell, for exchange ringing, are provided on intermediate and extension telephones.

The extension can always make outgoing calls (when the exchange is not engaged by the intermediate) whether the intermediate is attended or not, without 'switching through'.

The extension can be switched to receive incoming exchange ringing, if required, without the intermediate attendant having to remember to 'switch through'.

Extension cannot overhear intermediate to exchange conversations. Transfer or re-call facility, when required, can be provided on all telephones.

The extension has a ring key to call the intermediate, and also a bell 'on-off' key.

The above facilities are also offered as an improved arrangement for use where B.P.O. Plans 5 and 7 (internal) are required.

OPERATING PROCEDURE

Calls from the Intermediate Telephone

Before making any calls, observe that the lines are free by noting that the Engaged Lamp is not illuminated. Take up handset before pressing any buttons.

1. To call the exchange: Press the 'Exch.' button.
2. To call the extension: Press the 'Extn.' button and the appropriate 'ring' button.
3. To make an information call to the extension during conversation with the exchange: Leaving the 'Exch.' button down, press the 'Extn.' button and the appropriate 'ring' button.
4. To transfer the exchange call to the extension: Replace the handset when the extension is ready to receive the call.
5. To return to the exchange line without transferring: Press the 'Exch.' button without restoring the handset. (This releases the Extension button).
6. To take part in the extension to the exchange conversation: Take up the handset. This facility is prohibited when the intermediate is arranged for secrecy.
7. To switch extension through to the exchange: No operation necessary. Replace handset if not on rest.

Answering Calls on the Intermediate Telephone

Take up handset before pressing buttons.

8. Exchange calls are signalled by the bell ringing.
To answer: Press the 'Exch.' button.
9. Extension calls are signalled by the buzzer sounding.
To answer: Press the 'Extn.' button.
See also extension operating procedure.

- 10 (a) If the exchange bell rings during conversation with extension: Inform the extension, then press the 'Exch.' button.
- (b) If the extension buzzer sounds during conversation with the exchange: Request the exchange party to hold the line, then press the 'Extn.' button.
11. Information call and transfer: as in paragraphs 3, 4 and 5 above.
12. Intermediate re-call: If the buzzer sounds intermittently whilst engaged lamp is on, take up handset and speak. Do not press any buttons (Available on non-secret only).

Intermediate Telephone un-attended

1. Before leaving the telephone un-attended inform the extension.

Calls from the Extension telephone

1. To call intermediate when the exchange is automatic:
 - (a) Take up handset and press the 'ring' key.
 - (b) Press the 'ring' key and await answering signal from the intermediate before taking up the handset.
2. To call exchange:
 - (a) Take up handset and upon receipt of dial tone proceed in the usual way.
 - (b) Call intermediate as above, 1(a) or 1(b), ask for the number to be obtained. Replace handset and await re-call from the intermediate.
3. To call intermediate during conversation with exchange:

Press the 'ring' key intermittently until answered.

Answering calls on the extension

1. When the bell rings take up the handset and speak.

Intermediate un-attended

1. When the intermediate is un-attended, operate the 'bell on' key.

PLAN-ETELPHONES

GENERAL OPERATING AND MAINTENANCE INSTRUCTIONS

Obtaining Access to Interior

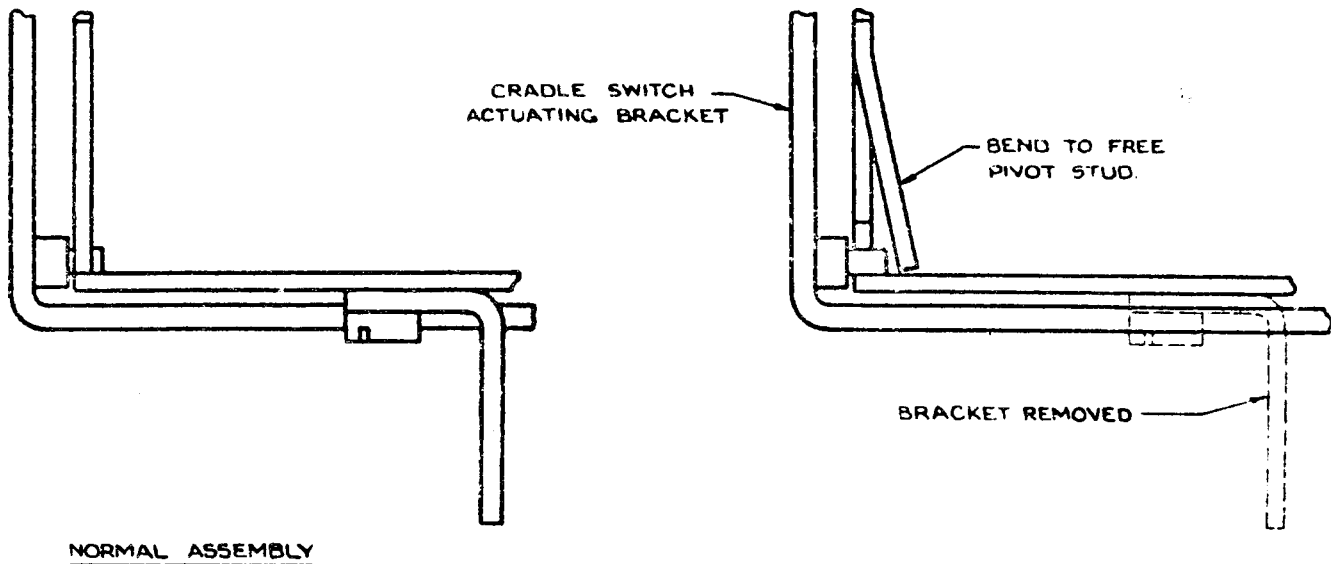
The case is secured by two screws adjacent to the cradleswitch plungers and normally concealed by the handset.

Before attempting to remove case release any operated locking button. Telephones without cradleswitch release or release button may be restored to normal by the partial operation of a locking and releasing button.

Cradleswitch Bracket

To remove cradleswitch actuating brackets, first loosen screw securing dial mounting bracket and swing dial and bracket forward clear of the telephone. Remove the small bracket held to the key unit by a single screw and then bend the thin arms on the main brackets inwards to clear the pivot studs. It is now possible to lift the pivot studs from their bearings and disengage the cradleswitch actuating bracket from the main brackets.

FIXING OF CRADLE SWITCH ACTUATING BRACKET



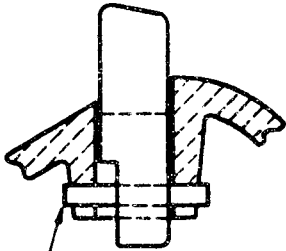
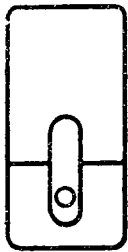
Press Buttons

Press buttons are made captive by a pin pressed into the case. To remove a press button take the case from telephone and press the button through from the outside and this will force the retaining pin from the moulding.

The action of the manually locked button is clearly shown in the sectional drawings. It is important to note that the sliding top of the button is moved to the right before pressing.

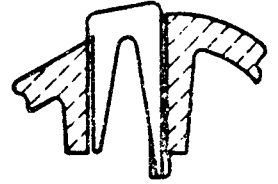
PRESS BUTTONS & DUMMY

NORMAL BUTTON

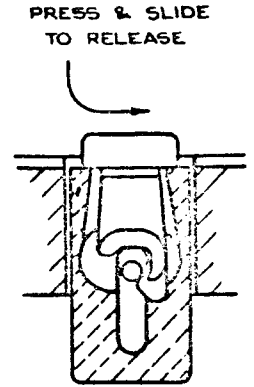
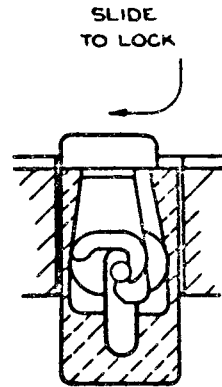
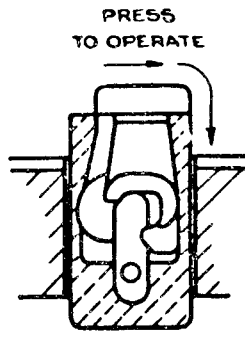
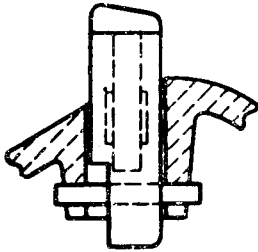
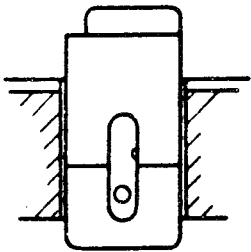


DIN PRESSED INTO CASE

DUMMY



LOCKING PRESS BUTTON



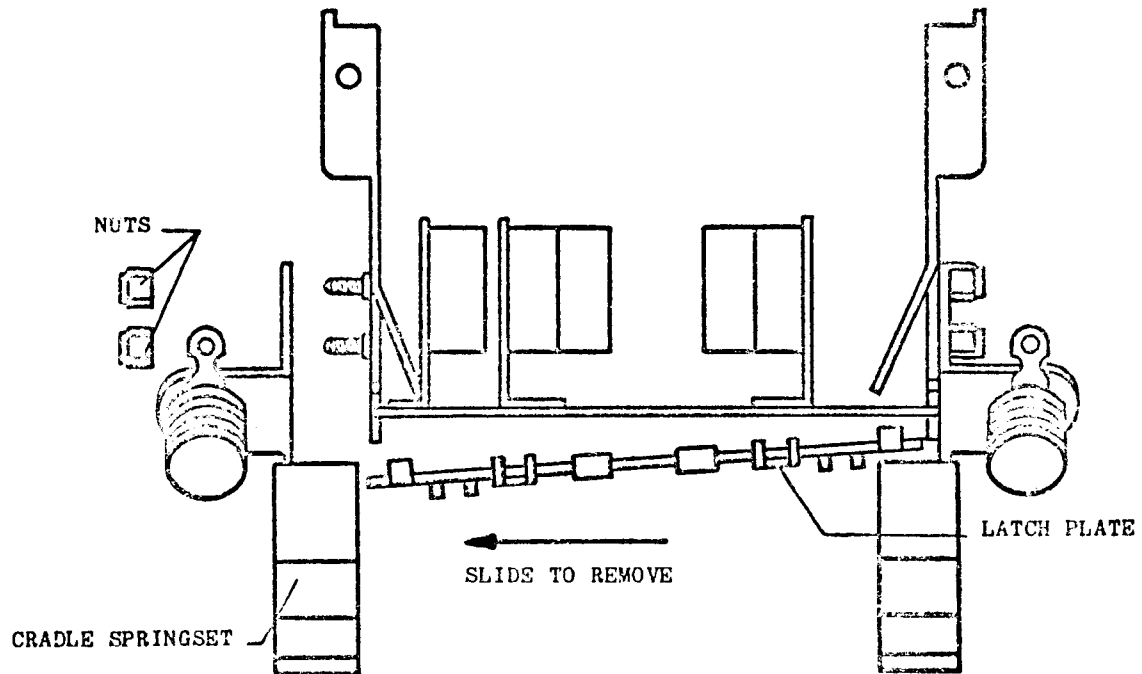
THE LOCKING PRESS BUTTON CAN BE FITTED IN PLACE OF THE NORMAL BUTTON TO PROVIDE A LOCKING ACTION INDEPENDENT OF THE INTERNAL MECHANISM. VIEWS SHOW PRINCIPLE AND METHOD OF OPERATION.

PLAN ETELPHONES

GENERAL OPERATING INSTRUCTIONS

Maintenance of Key Unit

The case, dial, and then the cradleswitch bracket should be removed as detailed on M.6005/2 Page 1 of the maintenance instructions.



REMOVAL OF CRADLE SPRINGSET AND LATCH PLATE

To Remove Cradle Springset

Unscrew the two nuts securing one of the cradleswitch springsets, and lift the complete springset sideways, clear of its mounting studs.

To Remove Latch Plate

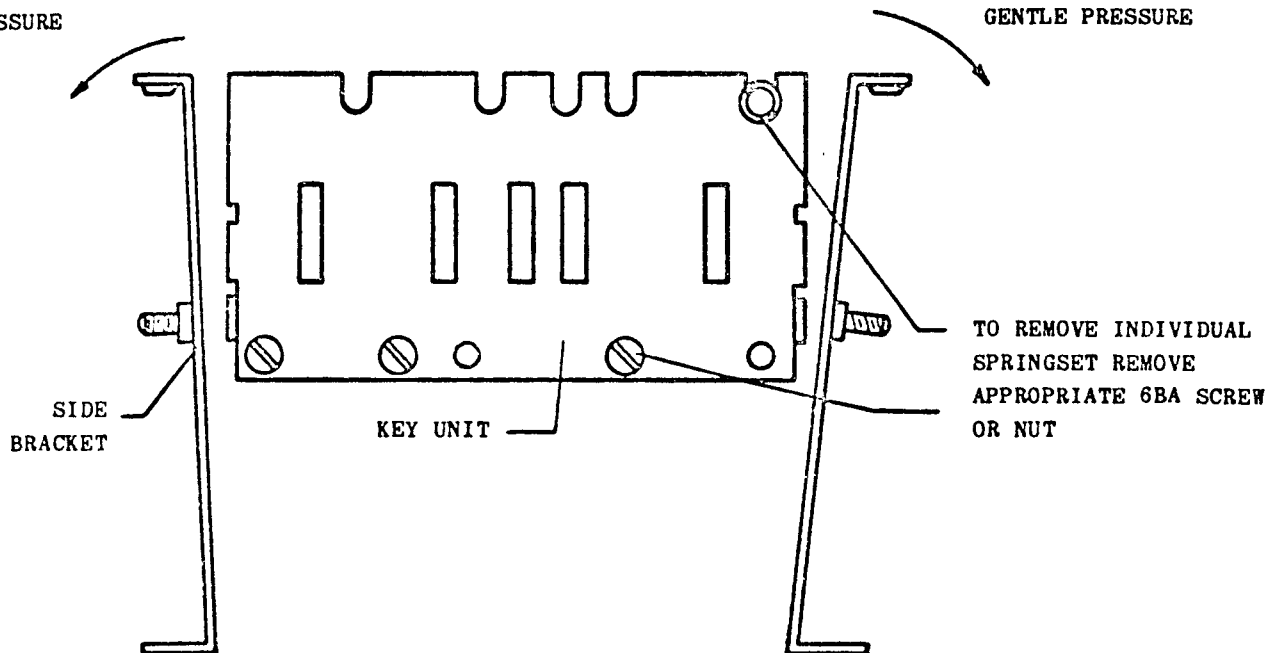
Slide the latch plate sideways in its pivot holes, and then swing forwards, away from the key unit.

To Remove Key Unit

The main brackets should be sprung sideways, (excessive force should not be used) and key unit lifted clear of the brackets.

All items of equipment have connecting wires of sufficient length to allow them to be withdrawn for servicing without the need to disconnect soldered joints. With the key unit removed, access to all springsets and associated wiring is obtained.

GENTLE PRESSURE



REMOVAL OF COMPLETE KEY UNIT

To Remove Transparent Dust Shields

Springing of the side brackets to remove the key unit will also release the transparent dust shields, which should then be lifted clear of the instrument.

To Remove an Individual Key Springset

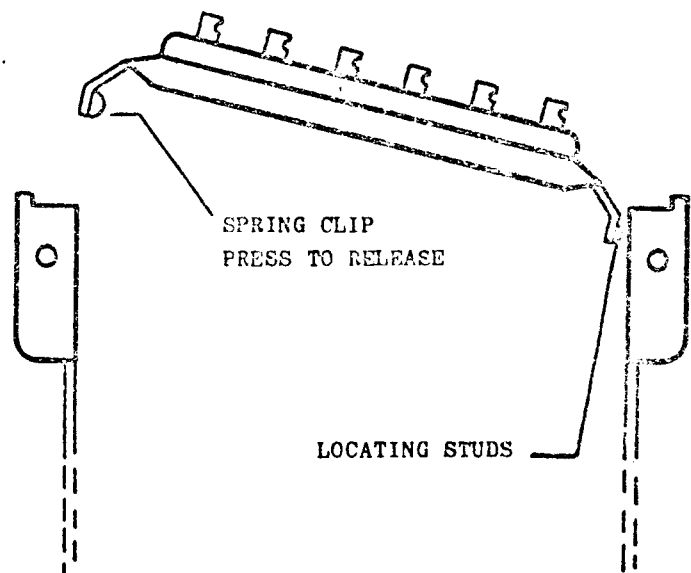
Release the appropriate 6BA screw or nut.

Removal of Auxiliary Terminal Unit

This unit consists of 18 terminals (numbers 20-37) and is fitted at the back of the telephone.

To Release the Unit

Depress the retaining spring, located on the left-hand side and swing the terminal assembly clear of the instrument.



REMOVAL OF AUXILIARY TERMINALS

Reassembly of Telephone

To reassemble the telephone a reverse procedure to that adopted when dismantling it should be employed, i.e. :-

- (a) Position key unit to main brackets and clip in.
- (b) Clip in transparent dust shields.
- (c) Locate cradleswitch bracket and bend the thin arms to secure.
- (d) Locate latch plate in pivot holes.
- (e) Fit cradle springset and adjust position for correct operation (elongated mounting holes allow for this adjustment).
- (f) Refit dial.
- (g) Refit auxiliary terminal unit.
- (h) Replace cover.
- (i) Check cradleswitch and buttons for free operation.

ETELPHONE AND PLAN-ETELPHONE Conversion from C.R. to Auto

Remove the case from the base by releasing the screws under the handset.

Remove the dial dummy by turning the retaining clip at the back anti-clockwise.

Place the dial number ring in position on the outside of the case, remembering that the numeral '0' is at the bottom of the sloping front on table sets, and near the handset on wall sets.

The number ring fixing clip N92491 is positioned inside the case by its small lug which fits into a rectangular well; the 4 spring lugs on the clip slide into notches in the number ring to hold it in position. Care should be taken to avoid straining the lugs.

Remove the five tagged conductors from the storage well in the base, and also the dust cover from the dial. Thread the conductors through the large circular hole in the dust cover (from the outside) and fasten the tags to the appropriate dial connection screws as shown on the case diagram. Replace the dust cover on the dial so that the small circular hole in the cover is aligned with the tapped lug on the dial. Remove the spacing bush from the dial clamping ring N92545.

Table Set

Insert the dial and cover in the clamping ring in such a position that the cover fixing screw hole is located centrally in the slot between the legs of the clamping ring, then insert the 8BA locating screw, but do not over-tighten, as this may distort the ring.

Tighten the long clamping screw. Set the two legs of the ring into the slots above the ringer domes, swing the dial into position so that the shorter screw of the clamping ring rests in the slot on the main bracket, then tighten the screw.

Wall Set

The procedure is the same as for the table set except that the dial is turned through 180°, i.e. the 8BA locating screw will be below the clamping screw instead of between the legs of the clamping ring.

Replace the telephone case and check that the plungers move freely in the cradle bracket.

Conversion from Auto to C.B.

Remove the telephone case.

Remove the number ring by gently disengaging the retaining spring lugs.

Place the dial dummy moulding on the outside of the case, locating the two small ribs of the dummy in the cut-out nearest to the telephone base.

Insert the window and label from the inside, then insert the clip supplied with the dummy and turn it clockwise until the three small bent lugs are held beneath the three bosses on the moulding.

Release the dial fixing screw and swing the dial out to disengage the legs of the clamping ring from the slots above the ringer domes.

Remove the 8BA locating screw, then the clamping screw and the clamping ring.

Take off the dial dust cover and disconnect the tagged conductors, which can then be pressed into the storage well in the base. Two of these conductors must be commoned (see Case Diagram). This is done by securing them under the screw in the storage well, the other three being pressed into the holes provided.

Replace dust cover and secure it with 8BA locating screw.

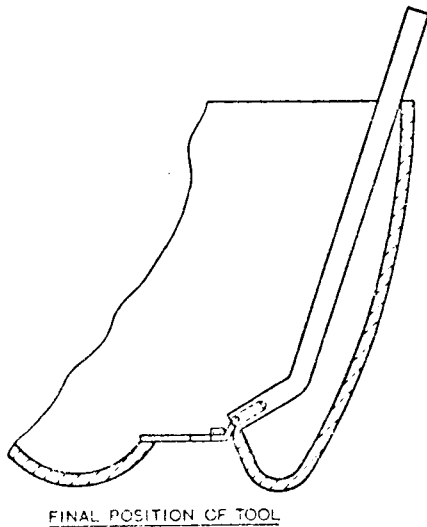
Insert the spacing bush N91370 between the ends of the clamping ring to prevent distortion of the ring when the clamping screw is tightened.

Replace and secure the ring in the telephone.

Replace the telephone case and check that the plungers move freely in the cradle bracket.

ETELPHONE AND PLAN-ETELPHONE

Conversion of Table Set for Wall Mounting



(a) Case

Remove case from telephone and replace lifting handle with cradle Bracket N92490. Lifting handle is made captive by bending two lugs through holes in the case; these lugs must be bent towards front of case to release handle. Cradle bracket must be made captive by slightly bending lugs towards back of case. The sketch shows suitable bending tool. Fixing screws and spacing bushes must be transferred from lifting handle to cradle bracket.

Number ring to be unclipped and turned through 180° .

Note:- Clip is not turned.

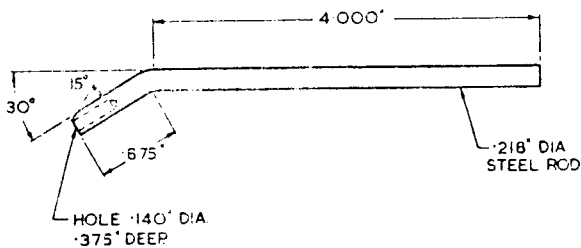
(b) Base

Remove two front feet. Drill or remove 'knockout' from $\frac{5}{32}$ " dia. hole near cord entry and fit Bracket N92493 with 4 BA $\frac{1}{4}$ " screw to underside of base.

(c) Dial

Loosen the single screw clamping dial, lift dial and dust cover clear of clamp and rotate 180° before refitting. Securely tighten clamping screw.

(d) Replace case and check that plungers move freely in cradle bracket.

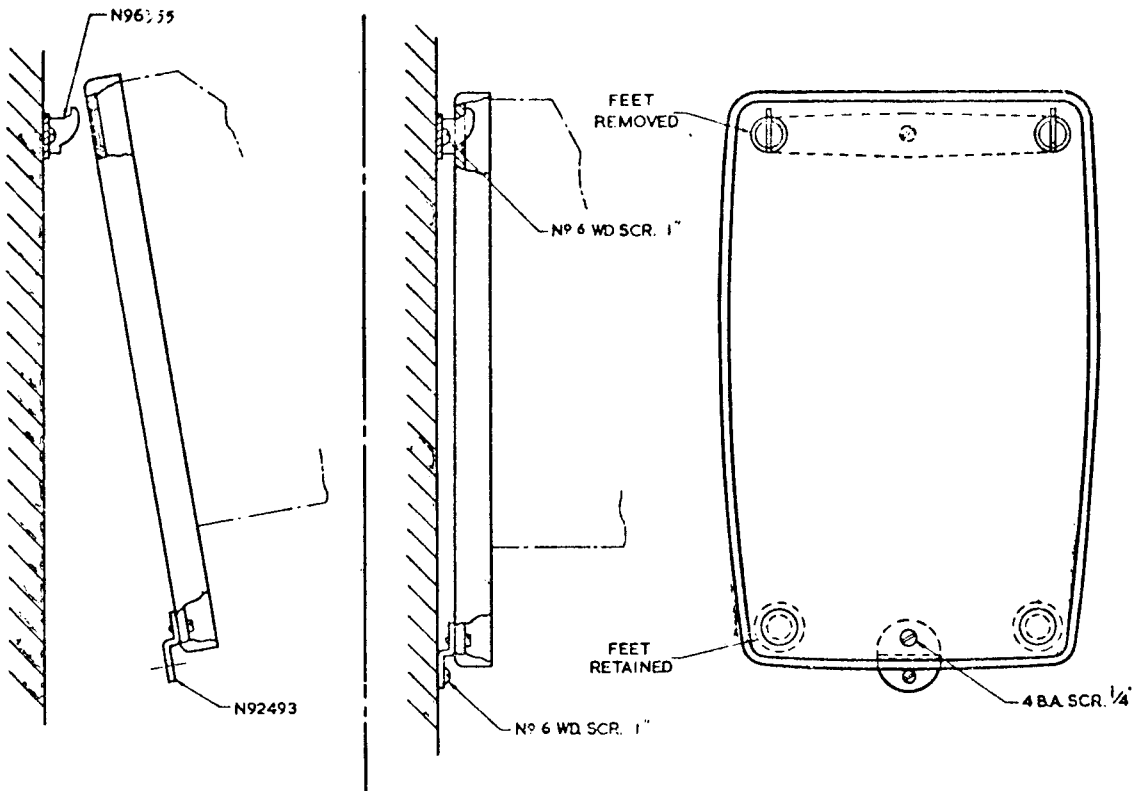


For Plan-Etelphone it is also necessary to change the buttons in accordance with instruction sheet M.6005/2 in booklets.

The new buttons should then be fitted in their respective positions, with markings toward dial position.

EETELPHONE AND PLAN-EETELPHONE

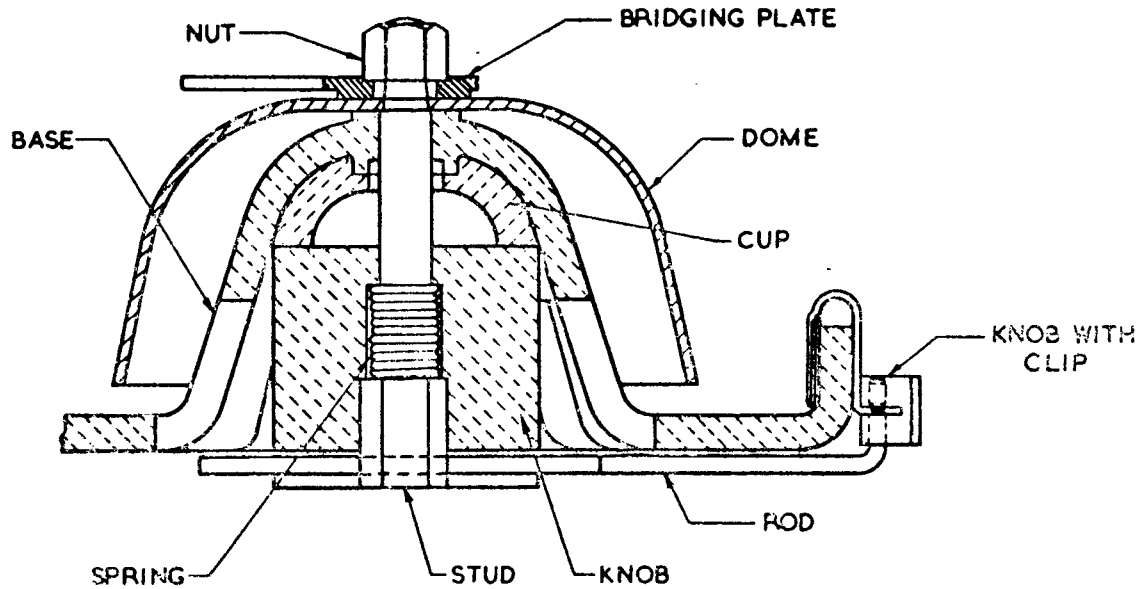
Method of Mounting Wall Set



- 1) Secure Bracket N96355 to wall with No. 6 wood screw provided. Shoulder height, approximately 4ft. 9ins. for average person, is considered to be a suitable position.
- 2) Hook Etelphone, with case removed, on to wall bracket and mark position of second No. 6 wood screw through hole in bracket fitted centrally on telephone base. Lifting forked plate securing cord grommets to base will improve access to lower fixing screw.
- 3) Substantial clearance has been allowed in the bracket to allow for inaccuracies in positioning the lower fixing screw. The screw fixing bracket to base should be loosened whilst telephone is positioned vertically. Securely tighten both screws before refitting case.

E TELEPHONE

Conversion to adjustable Bell dome



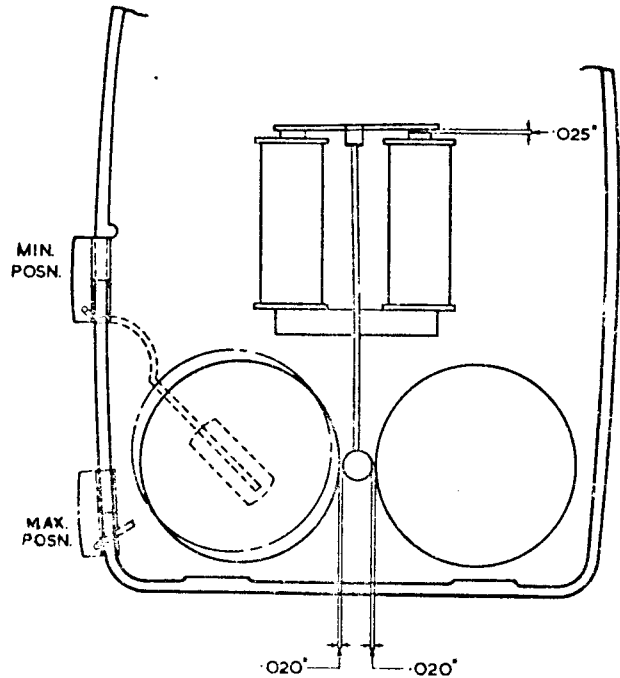
- 1) Remove dome fixing screws, bridging plate and left hand bell dome (looking from front of telephone).
- 2) Remove left hand insert from top of dome housing.
- 3) Assemble spring and knot on stud – such that the hole in the stud is in line with the slot in the knob (see sketch).
- 4) Place cup in position.
Press stud into underside of dome housing and place dome over projecting part of stud. Set new Bridging plate locating the large hole over stud and clamp with nut. (Replace dome fixing screws on other dome).
- 5) Slide rod into hole in stud and fit “knob with clip” on side of base. Press rod into hole in knobs with clip.

For Bell Volume Adjustment see over.

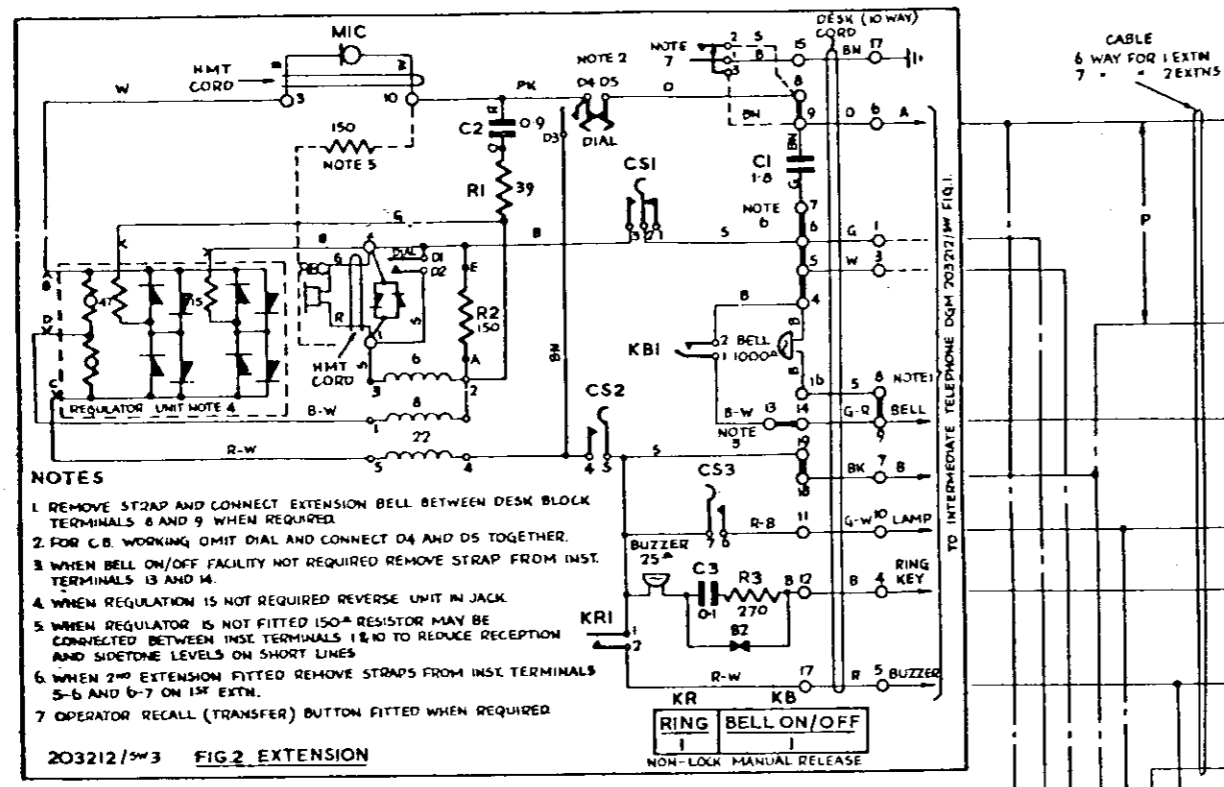
ETELPHONE

Ringer Adjustment for Volume

- 1) Ringer adjustment, normal armature travel of $.025''$, measured on one side.
- 2) Set adjusting knob to minimum position as stopped by extension rod and knob.
- 3) With adjusting knob held in position stated under (2) above, the dome clamping nut left loose, rotate the dome until the maximum eccentricity is towards the centre line of the telephone, i.e. towards the adjacent dome. Tighten clamping nut.
- 4) With ringer armature operated to the side which will bring striking ball farthest away from adjustable dome, set ball position (by bending stem) to within $.020''$ nominally from dome.
- 5) Adjust and securely tighten second dome to within $.020''$ of knob with the ringer armature held in the same position as in (4) above.
- 6) Both domes should ring in the minimum condition stated above. If it is not found possible to bring the fixed dome close enough to ring, set the stem to increase the clearance between ball and **adjustable** dome until very light ringing of the fixed dome is achieved.
- 7) The maximum position is controlled by the extension rod and knob which is stopped by a rib in the case.



MINIMUM VOLUME SETTING

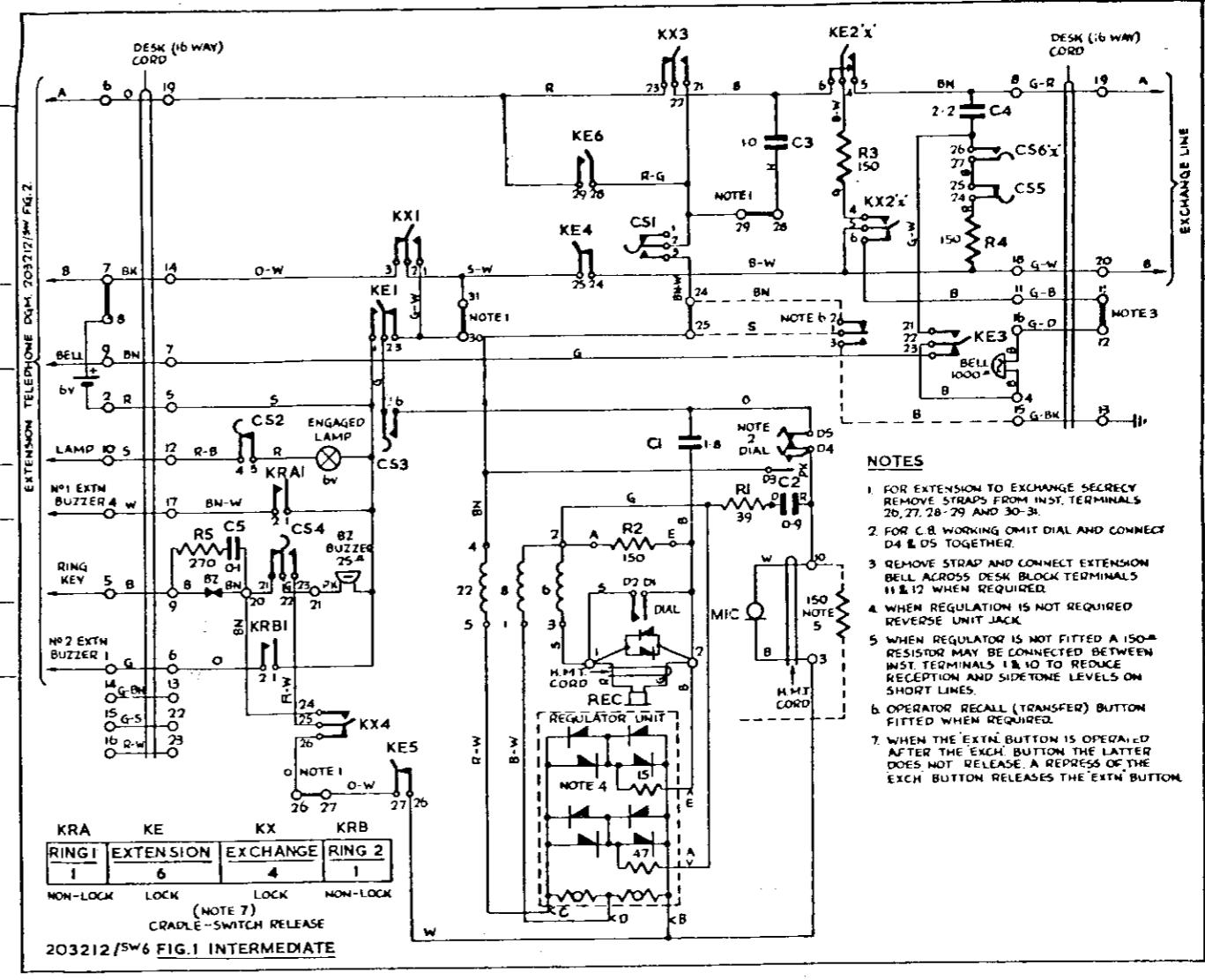
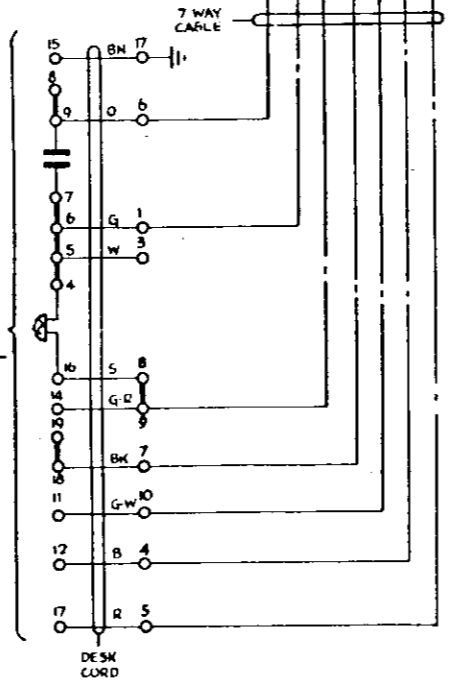


NOTES

1. REMOVE STRAP AND CONNECT EXTENSION BELL BETWEEN DESK BLOCK TERMINALS 8 AND 9 WHEN REQUIRED.
2. FOR C.B. WORKING OMIT DIAL AND CONNECT D4 AND D5 TOGETHER.
3. WHEN BELL ON/OFF FACILITY NOT REQUIRED REMOVE STRAP FROM INST. TERMINALS 13 AND 14.
4. WHEN REGULATION IS NOT REQUIRED REVERSE UNIT IN JACK.
5. WHEN REGULATOR IS NOT FITTED 150Ω RESISTOR MAY BE CONNECTED BETWEEN INST. TERMINALS 1 & 10 TO REDUCE RECEPTION AND SIDETONE LEVELS ON SHORT LINES.
6. WHEN 2ND EXTENSION FITTED REMOVE STRAPS FROM INST. TERMINALS 5-6 AND 6-7 ON 1ST EXTN.
7. OPERATOR RECALL (TRANSFER) BUTTON FITTED WHEN REQUIRED.

FIG. 2 EXTENSION

2ND EXTN WHEN FITTED
(REMOVE STRAPS FROM INST. TMS
5-6 & 6-7 ON 1ST EXTN.)
AND WIRE AS SHOWN



NOTES

1. FOR EXTENSION TO EXCHANGE SECRETLY REMOVE STRAPS FROM INST. TERMINALS 26, 27, 28, 29 AND 30-31.
2. FOR C.B. WORKING OMIT DIAL AND CONNECT D4 & D5 TOGETHER.
3. REMOVE STRAP AND CONNECT EXTENSION BELL ACROSS DESK BLOCK TERMINALS 11 & 12 WHEN REQUIRED.
4. WHEN REGULATION IS NOT REQUIRED REVERSE UNIT JACK.
5. WHEN REGULATOR IS NOT FITTED A 150Ω RESISTOR MAY BE CONNECTED BETWEEN INST. TERMINALS 1 & 10 TO REDUCE RECEPTION AND SIDETONE LEVELS ON SHORT LINES.
6. OPERATOR RECALL (TRANSFER) BUTTON FITTED WHEN REQUIRED.
7. WHEN THE EXTN. BUTTON IS OPERATED AFTER THE EXCH. BUTTON THE LATTER DOES NOT RELEASE. A REPRESS OF THE EXCH. BUTTON RELEASES THE EXTN. BUTTON.

FIG. 1 INTERMEDIATE

NOTE
SIZE OF CASE DIAGRAMS
FIGS 1 & 2 TO BE 3" x 2 1/2" (76.2 mm x 63.5 mm)

LIST OF PARTS

SHEET
1-4

TABLE TELEPHONE AUTO

DRG.
N 1906E TYPE

CODE: N 1906H15T - H21T

P.B

PART No.	DESCRIPTION	CODE	B.P.O. CODE
1	Base complete	N 103751T	
1A	Base with Parts 1E, 1Q & 1R	N 103203	
1C	Tag, connection	N 91393	1/DTA/179A
1D	Rivet Fixing Bracket	999/4/00949/132	
1E	Terminal	N 91345	Part of 1/DBA/92
1F	Bush Dome Fixing	N 91364	1/DBU/283
1H	Spring Latch	N 91356	1/DSP/1200
1J	Rivet Latch Spring Fixing	N 56337	
1K	Gauze Sound Holes	N 91384	
1P	Screw, connection	SSX46 Ch. 1/4"	
1Q	Nut, Dial cord connection	SNX 48 P	Part of 1/DBA/92
1R	Nut, connection	SNX 46 P	Part of 1/DBA/92
1S	Bracket, L.H.	N 95147A	2/DBR/375
1U	Bracket, R.H.	N 95146A	1/DBR/375
1W	Gauze, Regulator	N 103205	
2	Bracket Cradle with Tips	N 94493	
3	Plate, Dome & Dial Mtg.	N 91362	1/DPL/381
4	Mounting, Dial	N 92545	2/DRI/51
6	Clip, Capacitor	N 91361	1/DCL/135
7	Clip, Induction Coil	N 106590	
8	Dome, Ringer	607/2/00971/001	24B
9	Dome, Ringer	607/2/00970/001	24A
10	Buzzer, 12.5Ω + 12.5Ω + 270Ω Resistor	N 3323C1	
11	Foot, Rubber	915/4/98403/000	
19	Body	See Table	
20	Handle, Carrying	See Table	
25	Coil, Induction	N 3850A4T	31/3
26	Ringer, 1000Ω	N 9268C3T	
28	Regulator, Unit	N 102960T	
29	Resistor, 39Ω	403/4/78088/154	
30	Resistor, 150Ω	403/4/78088/161	
31	Capacitor, 1.8μF + 0.9μF	435/4/98005/000	

P.B
6 x 32500 25/18/76

LIST OF PARTS

SHEET
24

TABLE TELEPHONE AUTO

CODE: N 1906H15T – H21T

P. B.

PART No.	DESCRIPTION	CODE	B.P.O. CODE
32	Tag Connection	N 92499	10/STA/71
33	Handset	See Table	3 (STATE COLOUR)
34	Dial, Auto	N 4394SA20A	
35	Cord, Desk	E54389-292J-54	
36	Number Ring	See Table	
37	Block, Terminal	N 3221D6 Elephant Grey	37B (Elephant Grey)
40	Clip, Number Ring	N 92491	1/DSP/504
41	Cover, Dial	617/4/00987/000	1/DCO/631
42	Label, Dial	N 95601	
45	Case Diagram	203212/SW Fig.1	
76	Key, Plunger Unit	N 24004E1	
77	Clip, Key Plunger	N 101975	1/DPI/205
78	Bracket, Capacitor Mtg.	N 94794	
80	Capacitor, 1.0 μ F	400/4/98765/028	8017B/1.0 μ F
83	Plunger Key (Ring 1)	See Table	
84	Plunger Key (Extn)	See Table	23/DBU/260 (STATE COLOUR)
85	Plunger Key (Exch)	See Table	22/DBU/260 (STATE COLOUR)
86	Plunger Key (Ring 2)	See Table	
87	Cover Springset	N 94695	1/DPL/2055
88	Cover Springset	N 94696	1/DPL/2056
93	Lamp 6 volt	N 8623	
94	Lens, Lamp	N 98709	78A
95	Key, Recall R.H.	N 96311	
95A	Button 'PRESS'	N 96537	
95B	Spring, Return	N 98108	
95C	Bracket, Switch Mtg.	N 96315	
95D	Washer, Bracket Fxg.	N 96316	
95E	Switch, Micro	N 92188	
95F	Screw, Switch Fxg.	SSX66 Ch. 1/2"	
95H	Screw, Switch Fxg.	SSX66 Ch. 5/32"	
95K	Cord	E54387-218A-44	
102	Bracket	617/2/01257/000	2/DBR/379

P. B.
7/4.10.7429
32500 25/8/76

LIST OF PARTS

SHEET
1-4

TABLE TELEPHONE AUTO

DRG.
N 1906E TYPE

CODE: N 1906H15T - H21T

P.B

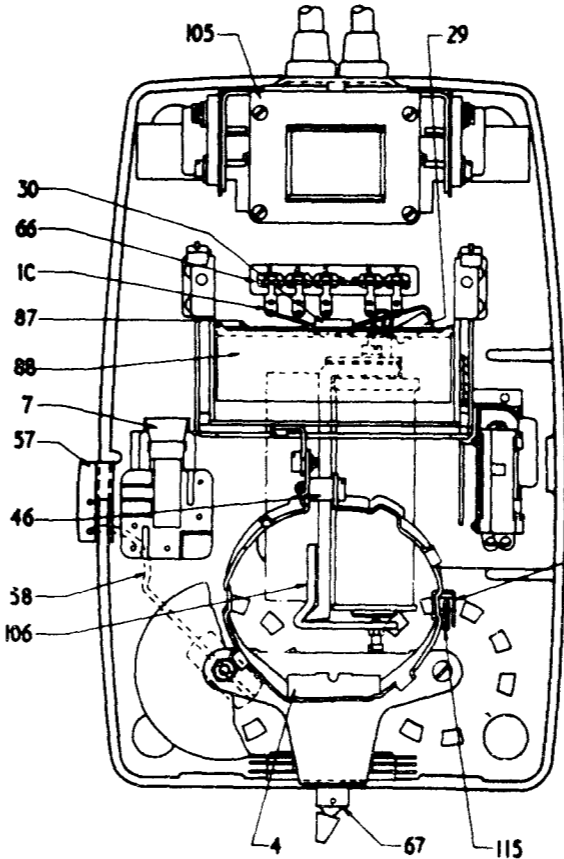
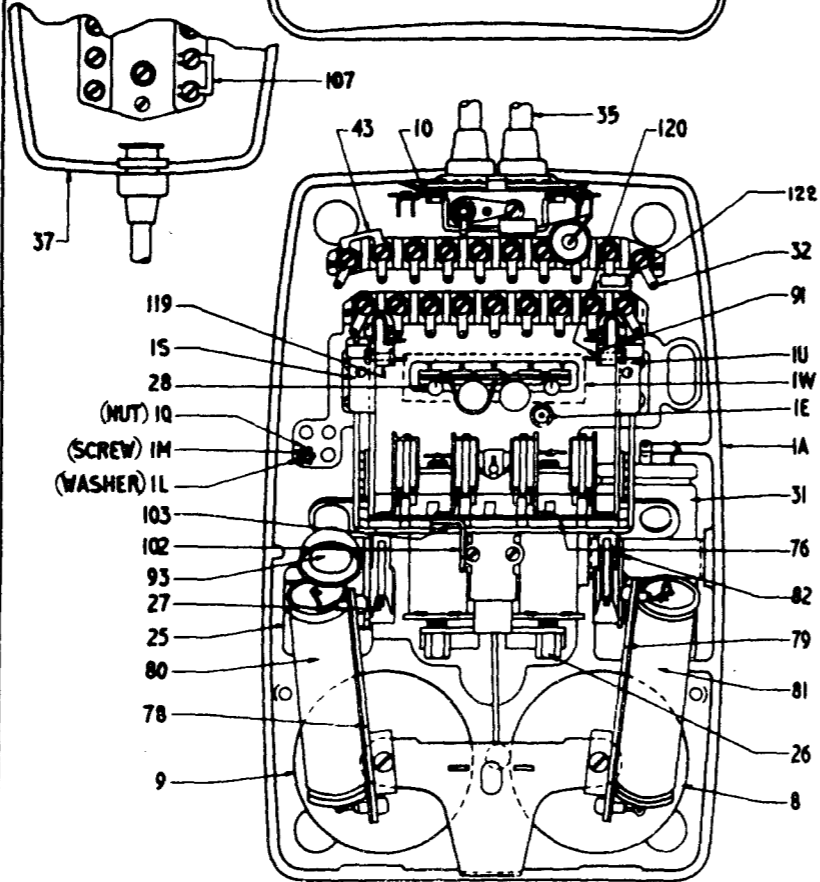
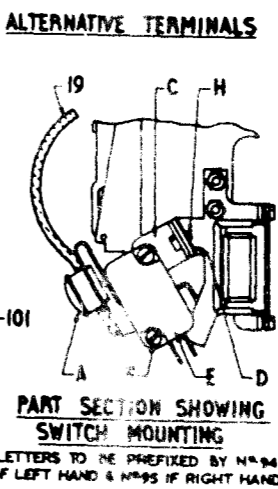
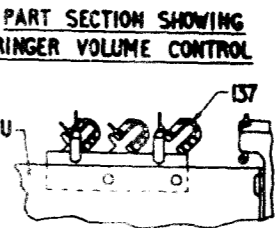
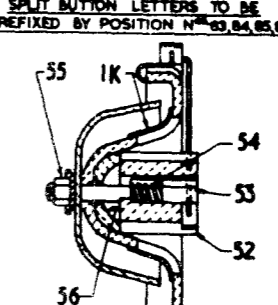
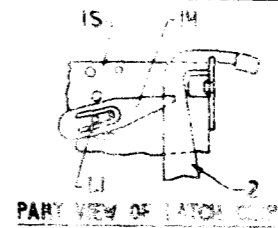
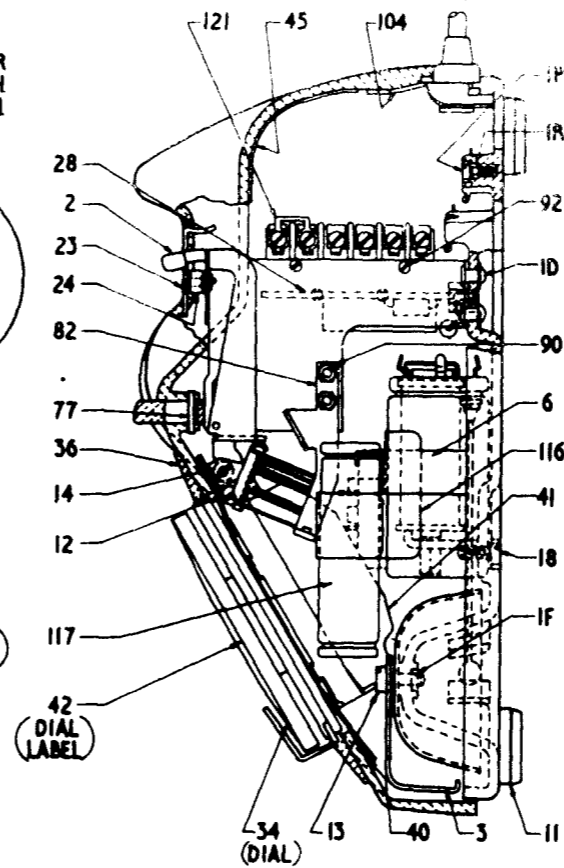
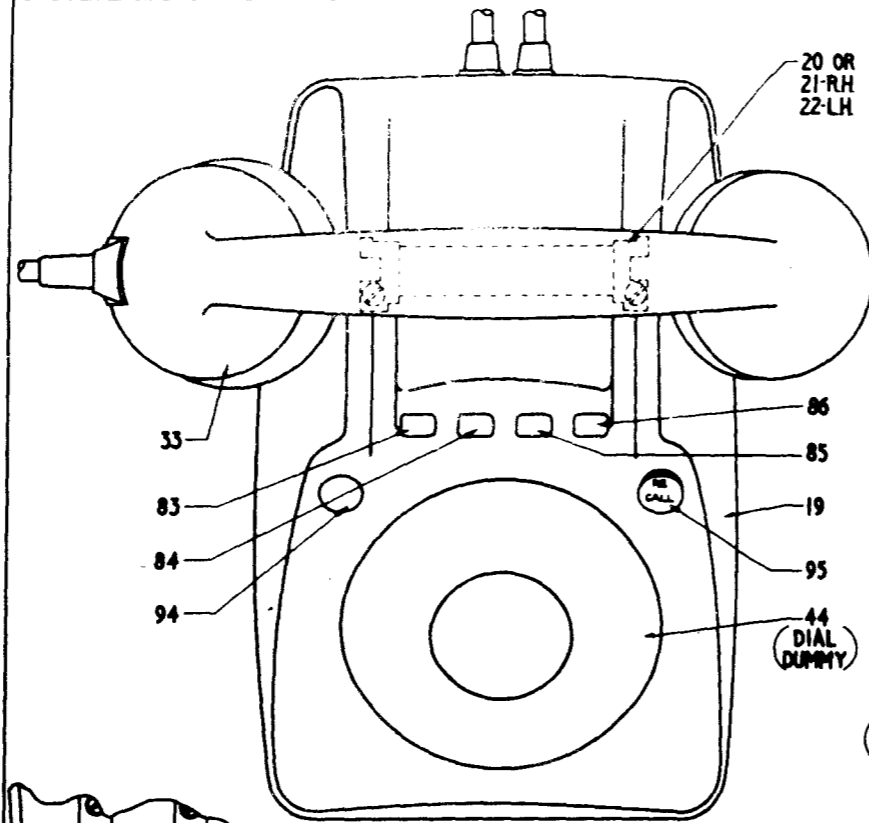
PART No.	DESCRIPTION	CODE	B.P.O. CODE
1	Base complete	N 103751T	
1A	Base with Parts 1E, 1Q & 1R	N 103203	
1C	Tag, connection	N 91393	1/DTA/179A
1D	Rivet Fixing Bracket	999/4/00949/132	
1E	Terminal	N 91345	Part of 1/DBA/92
1F	Bush Dome Fixing	N 91364	1/DBU/283
1H	Spring Latch	N 91356	1/DSP/1200
1J	Rivet Latch Spring Fixing	N 56337	
1K	Gauze Sound Holes	N 91384	
1P	Screw, connection	SSX46 Ch. 1/4"	
1Q	Nut, Dial cord connection	SNX 48 P	Part of 1/DBA/92
1R	Nut, connection	SNX 46 P	Part of 1/DBA/92
1S	Bracket, L.H.	N 95147A	2/DBR/375
1U	Bracket, R.H.	N 95146A	1/DBR/375
1W	Gauze, Regulator	N 103205	
2	Bracket Cradle with Tips	N 94493	
3	Plate, Dome & Dial Mtg.	N 91362	1/DPL/381
4	Mounting, Dial	N 92545	2/DRI/51
6	Clip, Capacitor	N 91361	1/DCL/135
7	Clip, Induction Coil	N 106590	
8	Dome, Ringer	607/2/00971/001	24B
9	Dome, Ringer	607/2/00970/001	24A
10	Buzzer, 12.5Ω + 12.5Ω + 270Ω Resistor	N 3323C1	
11	Foot, Rubber	915/4/98403/000	
19	Body	See Table	
20	Handle, Carrying	See Table	
25	Coil, Induction	N 3850A4T	31/3
26	Ringer, 1000Ω	N 9268C3T	
28	Regulator, Unit	N 102960T	
29	Resistor, 39Ω	403/4/78088/154	
30	Resistor, 150Ω	403/4/78088/161	
31	Capacitor, 1.8μF + 0.9μF	435/4/98005/000	

6 x 32500 25/8/76 P.B



TABLE TELEPHONE (AUTO & C.B. MULTI BUTTONS)

NI906E TYPE SHEET 1



THE PLAN TELEPHONE TYPICAL INSTRUMENT. THIS IS A COMPREHENSIVE DRG. OF THE TABLE TELEPHONE AUTO & C.B. MULTI-BUTTON INSTRUMENTS.

IT IS INTENDED AS A VARIABLE SET INTO WHICH CAN BE FITTED DIFFERENT UNITS TO PROVIDE ALL NECESSARY FACILITIES IN THE LARGE VARIETY OF STANDARD & SPECIAL PLANS.

PART N°S ALLOCATED TO POSITIONS FOR CERTAIN ITEMS, FOR RELEVANT CODE OF ITEM SEE PARTS LIST UNDER CODE OF INSTRUMENT.

THE INSTRUMENTS ARE AVAILABLE IN THE FOLLOWING COLOURS - BLACK, LIGHT IVORY, TOPAZ YELLOW, LACQUER RED, CONCORD BLUE, TWO TONE GREY & TWO TONE GREEN.

COLOUR OF DUMMY BUTTONS AS THE COLOUR OF HANDSET.

COLOUR OF OPERATING BUTTONS - FOREST GREEN ON GREEN, IVORY, TOPAZ, ELEPHANT GREY ON BLACK, GREY, RED & BLUE.

HANDSET CORDS WILL BE COILED P.V.C. WITH COLOUR MATCHING HANDSET.

DESK CORD WILL BE P.V.C. SHEATHED OF MATCHING COLOUR TO INSTRUMENT & DESK BLOCK. UP TO & INCLUDING 6 WAY. 7 WAY & ABOVE WILL BE ELEPHANT GREY FOR ALL COLOURS OF INSTRUMENTS. DESK BLOCKS WILL BE ELEPHANT GREY.

EACH INSTRUMENT NORMALLY FITTED WITH CARRYING HANDLE PART N° 20 & REGULATOR UNIT PART N° 28. DIAL 10 LPS RATIO 2:1 WITH PLASTIC MOULDED FINGER PLATE. NON DIRECTOR AREA NUMBER RING.

IF CUSTOMERS REQUIREMENTS DIFFER FROM THE ABOVE ARRANGEMENTS, THEY SHOULD BE STATED.

FOR TROPICAL ADD LETTER 'T' TO CODE.

ISSUE N°	1	2			
----------	---	---	--	--	--

SEE CONT. SHT.		
CODE		
APPROX WEIGHT - 6 LB. MAX.		
SCALE:-		