



**LYNTON WORKS
BELGRAVE ROAD
MARGATE KENT CT9 1XG
TEL: (0843) 293216
FAX: (0843) 291463**

RINGER ELECTRONIC 3A - 12W

INSTRUCTION LEAFLET

UNIT NO: 600165

INTRODUCTION

RINGER ELECTRONIC 3A 12W (Continuous Mode)

The 3A is a 2 port ringer of 12 Watts supply over the two ports in total. The Cadenced (intermittent) output used alone can supply 14 Watts. The connections and linking arrangements are shown on the unit terminal block panel.

CONNECTIONS TO TERMINAL BLOCK ARE AS FOLLOWS:

-50V BATTERY

Negative 50 Volts - this line is reversed protected. In the event of a reverse connection the internal 3.15 Amp. fuse will blow. Spare fuses are mounted on the base of the unit. The unit will work over a range of 46 Volts - 58 Volts.

NO CONNECTION

This is a spare terminal.

ALARM OUTPUT

Alarm output will supply an earth during fault condition or if the power to the unit has failed, the alarm output is an internal relay which has contacts rated at 1 Amp. After the fault condition has cleared, the relay will switch off the earth after approximately 12 seconds leaving the red fault L.E.D. flashing until the reset button is pressed, or a remote reset is applied. This facility will show that a fault had occurred.

AUTO RESET (REMOTE RESET)

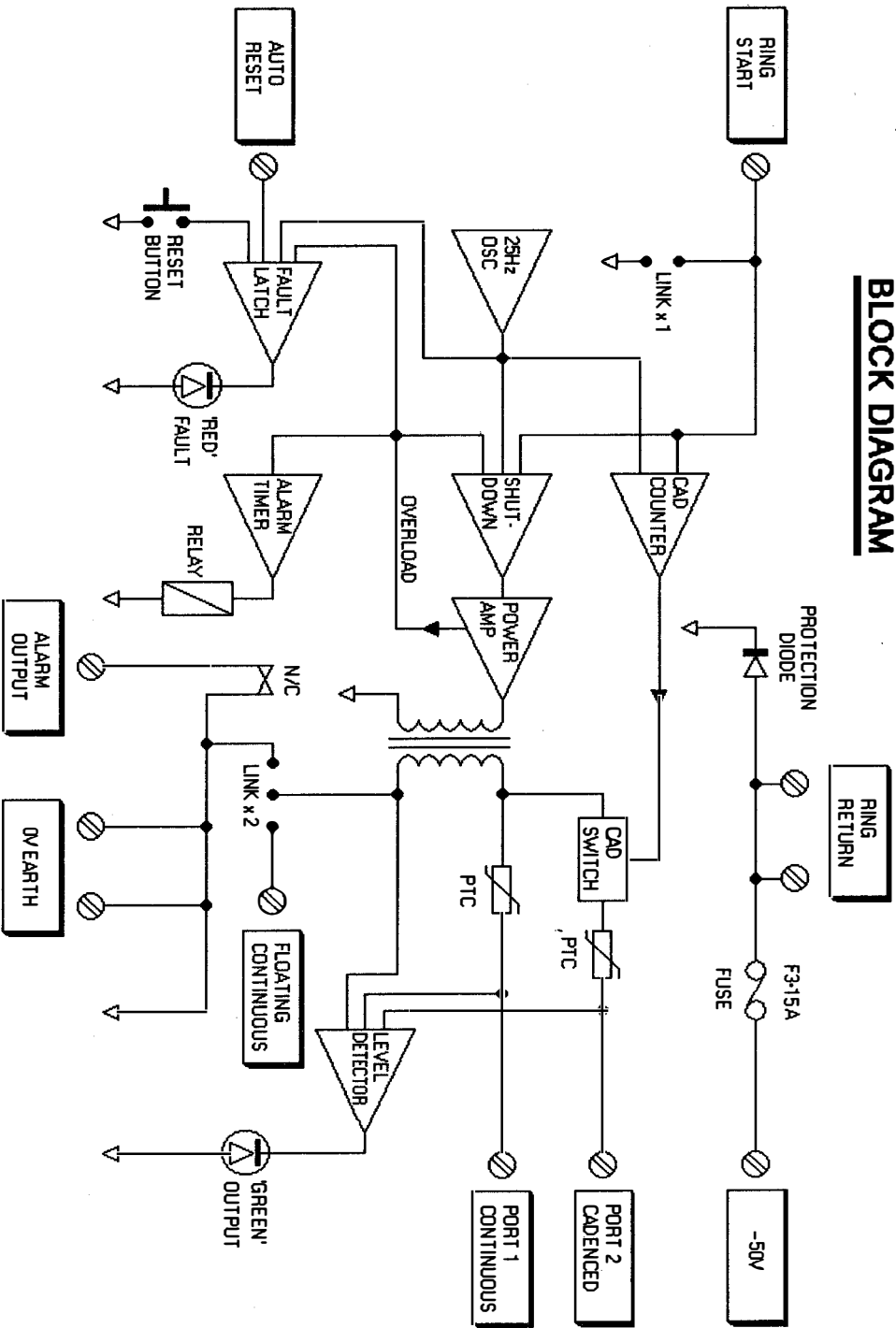
The red fault LED can be reset after a fault condition by applying a momentary earth to this connection.

OV EARTH

OV EARTH

These connections are joined and go to earth (positive).

BLOCK DIAGRAM



RING START (See Link Arrangement)

Ring Start is activated by applying an earth. In this condition the green L.E.D. will light to show the outputs are working.

FLOATING CONTINUOUS (Both top links in position B)

This output is fully isolated. When in this mode the cadenced (intermittent) output is not available.

PORT 1 CONTINUOUS (Both top links in position A)

This is a continuous output which is earthed backed. The ring return is internally connected to negative 50 Volts.

PORT 2 CADENCED (Both top links in position A)

This is a cadenced (intermittent) output; 0.4 seconds on 0.2 seconds off. 0.4 seconds on 2 seconds off which is earthed backed. The ring return is internally connected to negative 50 Volts.

LINK ARRANGEMENTS

There are three sets of links which are clearly marked on the connection panel. When the 2 top links are in position A this internally connects the ringer as a 2 port ringer. Connections are then made to Port 1 and Port 2. (12 Watts total, 14 Watts if connection made only to Port 2 cadenced).

When the 2 top links are in position B this internally connects the ringer as a single continuous output. Connections are then made to the Floating Continuous output.

The bottom link is for Ring Start. When the link is in position A, the unit is set for external Ring Start via the connection block. When bottom link is in position B, the unit will self start and a connection to the Ring Start terminal is not required.

The unit is supplied factory set as follows:-

- Permanent Ring Start.
- Port 1 and Port 2 - Earthed backed ring output

SPARE
FUSES
ON BASE

RINGER ELECTRONIC 3A

UNIT NO 600165

- A FOR FLOATING-CONTINUOUS RINGING
- B PUT BOTH LINKS IN POSITION B
- A FOR NORMAL EARTH BACK RINGING
- B PUT BOTH LINKS IN POSITION A
- A FOR EXTERNAL RING START PUT LINK IN POSITION A
- B FOR PERMANENT RING START PUT LINK IN B POSITION

-50V BATTERY

MONITOR CIRCUIT

ALARM OUTPUT

AUTO RESET - SEE INSTRUCTIONS

0v EARTH

0v EARTH

RING START - CHECK LINK -

FLOATING OUTPUT FLOATING CONTINUOUS

RING OUTPUT PORT1 CONTINUOUS

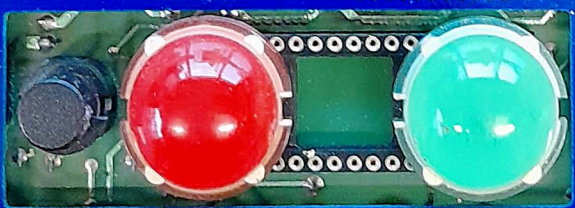
RING OUTPUT PORT2 CADENCED

RING RETURN



OUTPUTS 90V RMS NOMINAL • 25HZ
TOTAL LOAD 12 WATTS

SERIAL No.



ELECTRONIC RINGER

