

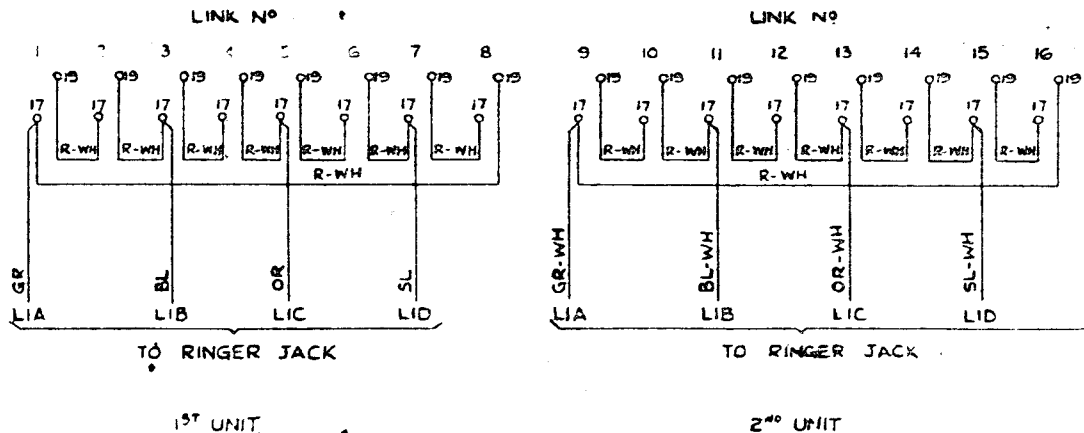
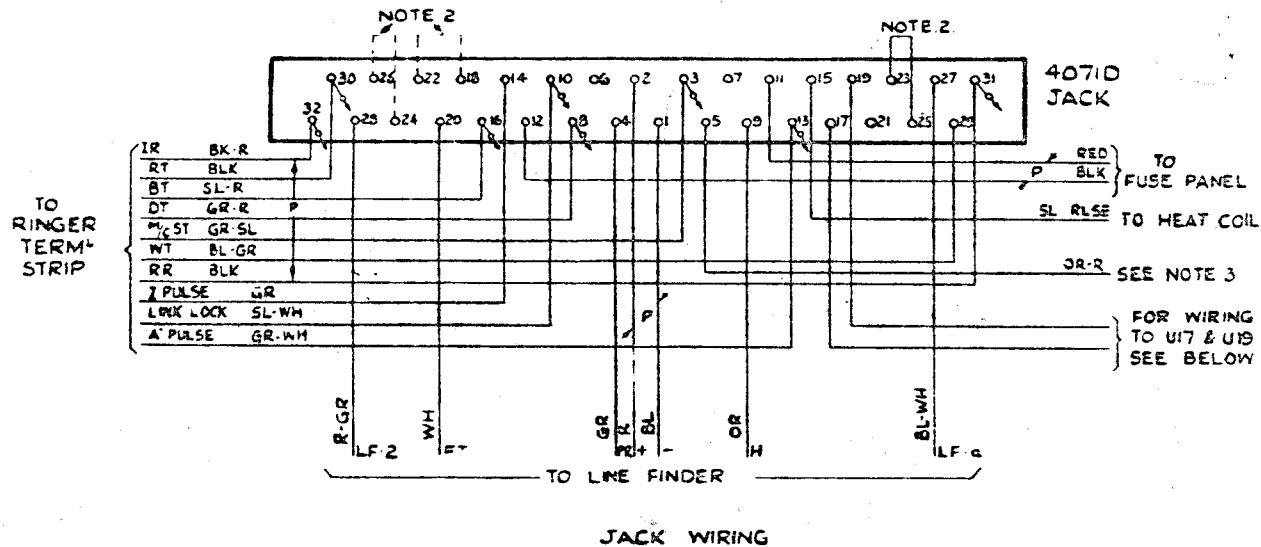
NOTES :-

- 1 FUSE 15A PER CKT
- 2 FOR CALLING PARTY RELEASE, DISCONNECT STRAP U24-UB3.
- 3 WHEN MARK TONE IS SENT ON PRIORITY STRAP LET S3
- 4 N/A SPRINGS OPERATE ON SINGLE DIAL-THE LINE LEVELS ARE SPRINGS OPERATE ON ALL THE LINE LEVELS
- 5 WHEN GROUP SWITCH IS USED ON T/C OR GROUP OF EXT'S, CONNECT SPO DRAW BATT TO KEEP OUTLET AND EXH. TO LAST.
- 6 FOR WIRING SEE COMMON SERVICE DRAWING
- 7 UPTS 17-19 MAKE WHEN SELECTOR IS REMOVED

ETH 2 U11-121-122-123-124-125-126-127-128-129-130-131-132-133-134-135-136-137-138-139-140-141-142-143-144-145-146-147-148-149-150-151-152-153-154-155-156-157-158-159-160-161-162-163-164-165-166-167-168-169-170-171-172-173-174-175-176-177-178-179-180-181-182-183-184-185-186-187-188-189-190-191-192-193-194-195-196-197-198-199-200-201-202-203-204-205-206-207-208-209-210-211-212-213-214-215-216-217-218-219-220-221-222-223-224-225-226-227-228-229-230-231-232-233-234-235-236-237-238-239-240-241-242-243-244-245-246-247-248-249-250-251-252-253-254-255-256-257-258-259-260-261-262-263-264-265-266-267-268-269-270-271-272-273-274-275-276-277-278-279-280-281-282-283-284-285-286-287-288-289-290-291-292-293-294-295-296-297-298-299-300-301-302-303-304-305-306-307-308-309-310-311-312-313-314-315-316-317-318-319-320-321-322-323-324-325-326-327-328-329-330-331-332-333-334-335-336-337-338-339-340-341-342-343-344-345-346-347-348-349-350-351-352-353-354-355-356-357-358-359-360-361-362-363-364-365-366-367-368-369-370-371-372-373-374-375-376-377-378-379-380-381-382-383-384-385-386-387-388-389-390-391-392-393-394-395-396-397-398-399-400-401-402-403-404-405-406-407-408-409-410-411-412-413-414-415-416-417-418-419-420-421-422-423-424-425-426-427-428-429-430-431-432-433-434-435-436-437-438-439-440-441-442-443-444-445-446-447-448-449-450-451-452-453-454-455-456-457-458-459-460-461-462-463-464-465-466-467-468-469-470-471-472-473-474-475-476-477-478-479-480-481-482-483-484-485-486-487-488-489-490-491-492-493-494-495-496-497-498-499-500-501-502-503-504-505-506-507-508-509-510-511-512-513-514-515-516-517-518-519-520-521-522-523-524-525-526-527-528-529-530-531-532-533-534-535-536-537-538-539-540-541-542-543-544-545-546-547-548-549-550-551-552-553-554-555-556-557-558-559-560-561-562-563-564-565-566-567-568-569-570-571-572-573-574-575-576-577-578-579-580-581-582-583-584-585-586-587-588-589-590-591-592-593-594-595-596-597-598-599-600-601-602-603-604-605-606-607-608-609-610-611-612-613-614-615-616-617-618-619-620-621-622-623-624-625-626-627-628-629-630-631-632-633-634-635-636-637-638-639-640-641-642-643-644-645-646-647-648-649-650-651-652-653-654-655-656-657-658-659-660-661-662-663-664-665-666-667-668-669-670-671-672-673-674-675-676-677-678-679-680-681-682-683-684-685-686-687-688-689-690-691-692-693-694-695-696-697-698-699-700-701-702-703-704-705-706-707-708-709-710-711-712-713-714-715-716-717-718-719-720-721-722-723-724-725-726-727-728-729-730-731-732-733-734-735-736-737-738-739-740-741-742-743-744-745-746-747-748-749-750-751-752-753-754-755-756-757-758-759-760-761-762-763-764-765-766-767-768-769-770-771-772-773-774-775-776-777-778-779-780-781-782-783-784-785-786-787-788-789-790-791-792-793-794-795-796-797-798-799-800-801-802-803-804-805-806-807-808-809-810-811-812-813-814-815-816-817-818-819-820-821-822-823-824-825-826-827-828-829-830-831-832-833-834-835-836-837-838-839-840-841-842-843-844-845-846-847-848-849-850-851-852-853-854-855-856-857-858-859-860-861-862-863-864-865-866-867-868-869-870-871-872-873-874-875-876-877-878-879-880-881-882-883-884-885-886-887-888-889-890-891-892-893-894-895-896-897-898-899-900-901-902-903-904-905-906-907-908-909-910-911-912-913-914-915-916-917-918-919-920-921-922-923-924-925-926-927-928-929-930-931-932-933-934-935-936-937-938-939-940-941-942-943-944-945-946-947-948-949-950-951-952-953-954-955-956-957-958-959-960-961-962-963-964-965-966-967-968-969-970-971-972-973-974-975-976-977-978-979-980-981-982-983-984-985-986-987-988-989-990-991-992-993-994-995-996-997-998-999-1000-1001-1002-1003-1004-1005-1006-1007-1008-1009-1010-1011-1012-1013-1014-1015-1016-1017-1018-1019-1020-1021-1022-1023-1024-1025-1026-1027-1028-1029-1030-1031-1032-1033-1034-1035-1036-1037-1038-1039-1040-1041-1042-1043-1044-1045-1046-1047-1048-1049-1050-1051-1052-1053-1054-1055-1056-1057-1058-1059-1060-1061-1062-1063-1064-1065-1066-1067-1068-1069-1070-1071-1072-1073-1074-1075-1076-1077-1078-1079-1080-1081-1082-1083-1084-1085-1086-1087-1088-1089-1090-1091-1092-1093-1094-1095-1096-1097-1098-1099-1100-1101-1102-1103-1104-1105-1106-1107-1108-1109-1110-1111-1112-1113-1114-1115-1116-1117-1118-1119-1120-1121-1122-1123-1124-1125-1126-1127-1128-1129-1130-1131-1132-1133-1134-1135-1136-1137-1138-1139-1140-1141-1142-1143-1144-1145-1146-1147-1148-1149-1150-1151-1152-1153-1154-1155-1156-1157-1158-1159-1160-1161-1162-1163-1164-1165-1166-1167-1168-1169-1170-1171-1172-1173-1174-1175-1176-1177-1178-1179-1180-1181-1182-1183-1184-1185-1186-1187-1188-1189-1190-1191-1192-1193-1194-1195-1196-1197-1198-1199-1200-1201-1202-1203-1204-1205-1206-1207-1208-1209-1210-1211-1212-1213-1214-1215-1216-1217-1218-1219-1220-1221-1222-1223-1224-1225-1226-1227-1228-1229-1230-1231-1232-1233-1234-1235-1236-1237-1238-1239-1240-1241-1242-1243-1244-1245-1246-1247-1248-1249-1250-1251-1252-1253-1254-1255-1256-1257-1258-1259-1260-1261-1262-1263-1264-1265-1266-1267-1268-1269-1270-1271-1272-1273-1274-1275-1276-1277-1278-1279-1280-1281-1282-1283-1284-1285-1286-1287-1288-1289-1290-1291-1292-1293-1294-1295-1296-1297-1298-1299-1300-1301-1302-1303-1304-1305-1306-1307-1308-1309-1310-1311-1312-1313-1314-1315-1316-1317-1318-1319-1320-1321-1322-1323-1324-1325-1326-1327-1328-1329-1330-1331-1332-1333-1334-1335-1336-1337-1338-1339-1340-1341-1342-1343-1344-1345-1346-1347-1348-1349-1350-1351-1352-1353-1354-1355-1356-1357-1358-1359-1360-1361-1362-1363-1364-1365-1366-1367-1368-1369-1370-1371-1372-1373-1374-1375-1376-1377-1378-1379-1380-1381-1382-1383-1384-1385-1386-1387-1388-1389-1390-1391-1392-1393-1394-1395-1396-1397-1398-1399-1400-1401-1402-1403-1404-1405-1406-1407-1408-1409-1410-1411-1412-1413-1414-1415-1416-1417-1418-1419-1420-1421-1422-1423-1424-1425-1426-1427-1428-1429-1430-1431-1432-1433-1434-1435-1436-1437-1438-1439-1440-1441-1442-1443-1444-1445-1446-1447-1448-1449-1450-1451-1452-1453-1454-1455-1456-1457-1458-1459-1460-1461-1462-1463-1464-1465-1466-1467-1468-1469-1470-1471-1472-1473-1474-1475-1476-1477-1478-1479-1480-1481-1482-1483-1484-1485-1486-1487-1488-1489-1490-1491-1492-1493-1494-1495-1496-1497-1498-1499-1500-1501-1502-1503-1504-1505-1506-1507-1508-1509-1510-1511-1512-1513-1514-1515-1516-1517-1518-1519-1520-1521-1522-1523-1524-1525-1526-1527-1528-1529-1530-1531-1532-1533-1534-1535-1536-1537-1538-1539-1540-1541-1542-1543-1544-1545-1546-1547-1548-1549-1550-1551-1552-1553-1554-1555-1556-1557-1558-1559-1560-1561-1562-1563-1564-1565-1566-1567-1568-1569-1570-1571-1572-1573-1574-1575-1576-1577-1578-1579-1580-1581-1582-1583-1584-1585-1586-1587-1588-1589-1590-1591-1592-1593-1594-1595-1596-1597-1598-1599-1600-1601-1602-1603-1604-1605-1606-1607-1608-1609-1610-1611-1612-1613-1614-1615-1616-1617-1618-1619-1620-1621-1622-1623-1624-1625-1626-1627-1628-1629-1630-1631-1632-1633-1634-1635-1636-1637-1638-1639-1640-1641-1642-1643-1644-1645-1646-1647-1648-1649-1650-1651-1652-1653-1654-1655-1656-1657-1658-1659-1660-1661-1662-1663-1664-1665-1666-1667-1668-1669-1670-1671-1672-1673-1674-1675-1676-1677-1678-1679-1680-1681-1682-1683-1684-1685-1686-1687-1688-1689-1690-1691-1692-1693-1694-1695-1696-1697-1698-1699-1700-1701-1702-1703-1704-1705-1706-1707-1708-1709-1710-1711-1712-1713-1714-1715-1716-1717-1718-1719-1720-1721-1722-1723-1724-1725-1726-1727-1728-1729-1730-1731-1732-1733-1734-1735-1736-1737-1738-1739-1740-1741-1742-1743-1744-1745-1746-1747-1748-1749-1750-1751-1752-1753-1754-1755-1756-1757-1758-1759-1760-1761-1762-1763-1764-1765-1766-1767-1768-1769-1770-1771-1772-1773-1774-1775-1776-1777-1778-1779-1780-1781-1782-1783-1784-1785-1786-1787-1788-1789-1790-1791-1792-1793-1794-1795-1796-1797-1798-1799-1800-1801-1802-1803-1804-1805-1806-1807-1808-1809-1810-1811-1812-1813-1814-1815-1816-1817-1818-1819-1820-1821-1822-1823-1824-1825-1826-1827-1828-1829-1830-1831-1832-1833-1834-1835-1836-1837-1838-1839-1840-1841-1842-1843-1844-1845-1846-1847-1848-1849-1850-1851-1852-1853-1854-1855-1856-1857-1858-1859-1860-1861-1862-1863-1864-1865-1866-1867-1868-1869-1870-1871-1872-1873-1874-1875-1876-1877-1878-1879-1880-1881-1882-1883-1884-1885-1886-1887-1888-1889-1890-1891-1892-1893-1894-1895-1896-1897-1898-1899-1900-1901-1902-1903-1904-1905-1906-1907-1908-1909-1910-1911-1912-1913-1914-1915-1916-1917-1918-1919-1920-1921-1922-1923-1924-1925-1926-1927-1928-1929-1930-1931-1932-1933-1934-1935-1936-1937-1938-1939-1940-1941-1942-1943-1944-1945-1946-1947-1948-1949-1950-1951-1952-1953-1954-1955-1956-1957-1958-1959-1960-1961-1962-1963-1964-1965-1966-1967-1968-1969-1970-1971-1972-1973-1974-1975-1976-1977-1978-1979-1980-1981-1982-1983-1984-1985-1986-1987-1988-1989-1990-1991-1992-1993-1994-1995-1996-1997-1998-1999-2000-2001-2002-2003-2004-2005-2006-2007-2008-2009-2010-2011-2012-2013-2014-2015-2016-2017-2018-2019-2020-2021-2022-2023-2024-2025-2026-2027-2028-2029-2030-2031-2032-2033-2034-2035-2036-2037-2038-2039-2040-2041-2042-2043-2044-2045-2046-2047-2048-2049-2050-2051-2052-2053-2054-2055-2056-2057-2058-2059-2060-2061-2062-2063-2064-2065-2066-2067-2068-2069-2070-2071-2072-2073-2074-2075-2076-2077-2078-2079-2080-2081-2082-2083-2084-2085-2086-2087-2088-2089-2090-2091-2092-2093-2094-2095-2096-2097-2098-2099-2100-2101-2102-2103-2104-2105-2106-2107-2108-2109-2110-2111-2112-2113-2114-2115-2116-2117-2118-2119-2120-2121-2122-2123-2124-2125-2126-2127-2128-2129-2130-2131-2132-2133-2134-2135-2136-2137-2138-2139-2140-2141-2142-2143-2144-2145-2146-2147-2148-2149-2150-2151-2152-2153-2154-2155-2156-2157-2158-2159-2160-2161-2162-2163-2164-2165-2166-2167-2168-2169-2170-2171-2172-2173-2174-2175-2176-2177-2178-2179-2180-2181-2182-2183-2184-2185-2186-2187-2188-2189-2190-2191-2192-2193-2194-2195-2196-2197-2198-2199-2200-2201-2202-2203-2204-2205-2206-2207-2208-2209-2210-2211-2212-2213-2214-2215-2216-2217-2218-2219-2220-2221-2222-2223-2224-2225-2226-2227-2228-2229-2230-2231-2232-2233-2234-2235-2236-2237-2238-2239-2240-2241-2242-2243-2244-2245-2246-2247-2248-2249-2250-2251-2252-2253-2254-2255-2256-2257-2258-2259-2260-2261-2262-2263-2264-2265-2266-2267-2268-2269-2270-2271-2272-2273-2274-2275-2276-2277-2278-2279-2280-2281-2282-2283-2284-2285-2286-2287-2288-2289-2290-2291-2292-2293-2294-2295-2296-2297-2298-2299-2300-2301-2302-2303-2304-2305-2306-2307-2308-2309-2310-2311-2312-2313-2314-2315-2316-2317-2318-2319-2320-2321-2322-2323-2324-2325-2326-2327-2328-2329-2330-2331-2332-2333-2334-2335-2336-2337-2338-2339-2340-2341-2342-2343-2344-2345-2346-2347-2348-2349-2350-2351-2352-2353-2354-2355-2356-2357-2358-2359-2360-2361-2362-2363-2364-2365-2366-2367-2368-2369-2370-2371-2372-2373-2374-2375-2376-2377-2378-2379-2380-2381-2382-2383-2384-2385-2386-2387-2388-2389-2390-2391-2392-2393-2394-2395-2396-2397-2398-2399-2400-2401-2402-2403-2404-2405-2406-2407-2408-2409-2410-2411-2412-2413-2414-2415-2416-2417-2418-2419-2420-2421-2422-2423-2424-2425-2426-2427-2428-2429-2430-2431-2432-2433-2434-2435-2436-2437-2438-2439-2440-2441-2442-2443-2444-2445-2446-2447-2448-2449-2450-2451-2452-2453-2454-2455-2456-2457-2458-2459-2460-2461-2462-2463-2464-2465-2466-2467-2468-2469-2470-2471-2472-2473-2474-2475-2476-2477-2478-2479-2480-2481-2482-2483-2484-2485-2486-2487-2488-2489-2490-2491-2492-2493-2494-2495-2496-2497-2498-2499-2500-2501-2502-2503-2504-2505-2506-2507-2508-2509-2510-2511-2512-2513-2514-2515-2516-2517-2518-2519-2520-2521-2522-2523-2524-2525-2526-2527-2528-2529-2530-2531-2532-2533-2534-2535-2536-2537-2538-2539-2540-2541-2542-2543-2544-2545-2546-2547-2548-2549-2550-2551-2552-2553-2554-2555-2556-2557-2558-2559-2560-2561-2562-2563-2564-2565-2566-2567-2568-2569-2570-2571-2572-2573-2574-2575-2576-2577-2578-2579-2580-2581-2582-2583-2584-2585-2586-2587-2588-2589-2590-2591-2592-2593-2594-2595-2596-2597-2598-2599-2600-2601-2602-2603-2604-2605-2606-2607-2608-2609-2610-2611-2612-2613-2614-2615-2616-2617-2618-2619-2620-2621-2622-2623-2624-2625-2626-2627-2628-2629-2630-2631-2632-2633-2634-2635-2636-2637-2638-2639-2640-2641-2642-2643-2644-2645-2646-2647-2648-2649-2650-2651-2652-2653-2654-2655-2656-2657-2658-2659-2660-2661-2662-2663-2664-2665-2666-2667-2668-2669-2670-2671-2672-2673-2674-2675-2676-2677-2678-2679-2680-2681-2682-2683-26

CODE _____ SHT. _____

ISSUE 1
5 64



- NOTES**
- U5 & U11 AND U17 & U19 TO MAKE WHEN PANEL IS REMOVED.
 - STRAPS SHOWN IN FULL TO BE WIRED BY SHOPS. STRAPS SHOWN DOTTED TO BE WIRED BY INSPECTION OR INSTALLER WHEN SPECIFIED (SEE SHT 7)
 - THIS LEAD TAKEN TO FIRST 'F' BANK CONTACT OF HUNTING GRP WHEN REQ.

85311-1
85325-1
33432-1
83601-1
35750-1
84920-3

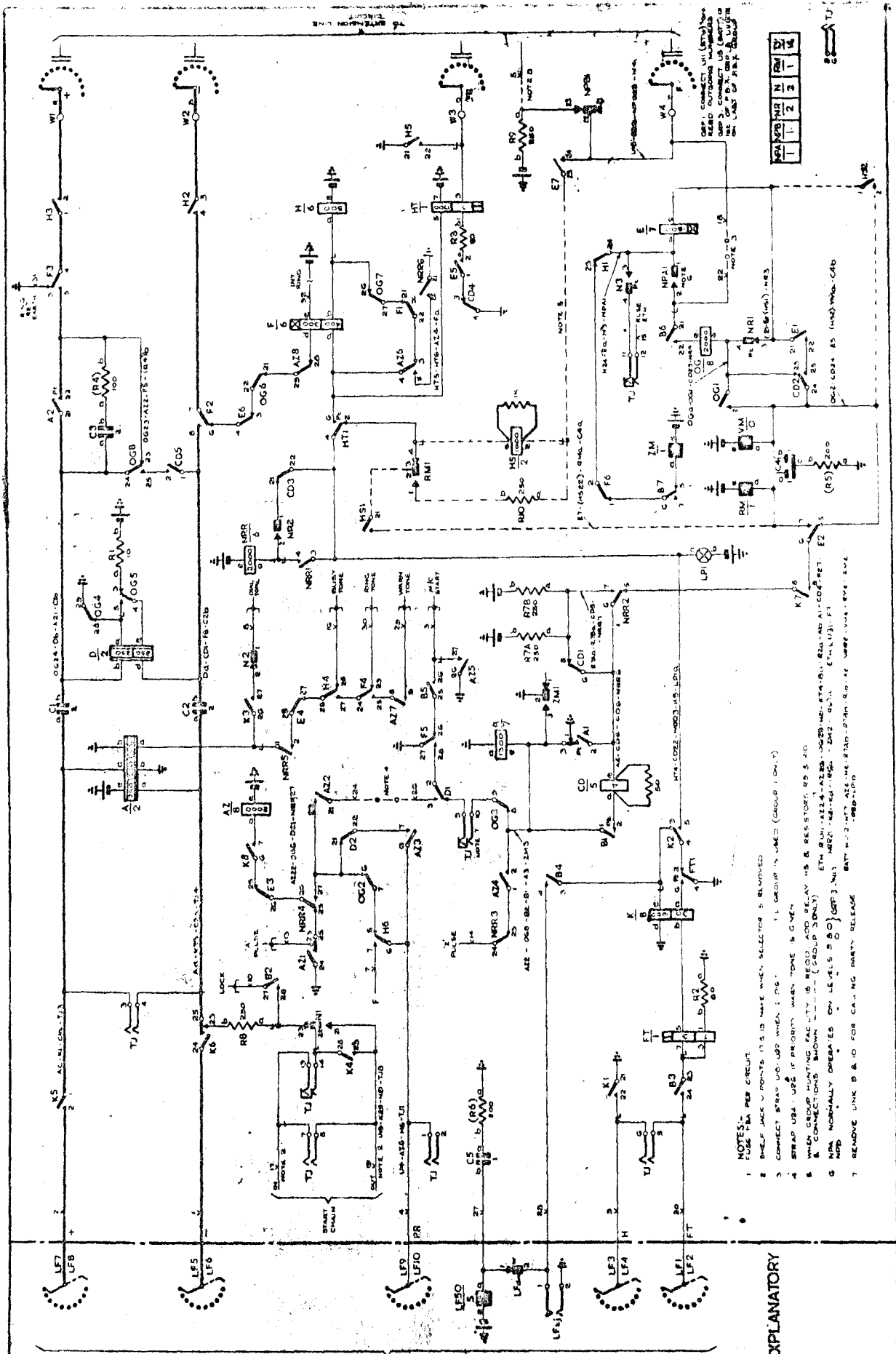
DRN.
CHKD.
ENG.
DIV. REP.

Standard Telephones and Cables Limited
LONDON ENGLAND

TITLE: **4117A PAX
CONNECTING CIRCUIT**

GROUP: **499 LSU4400-01 & 03**
CODE

SHT. 13

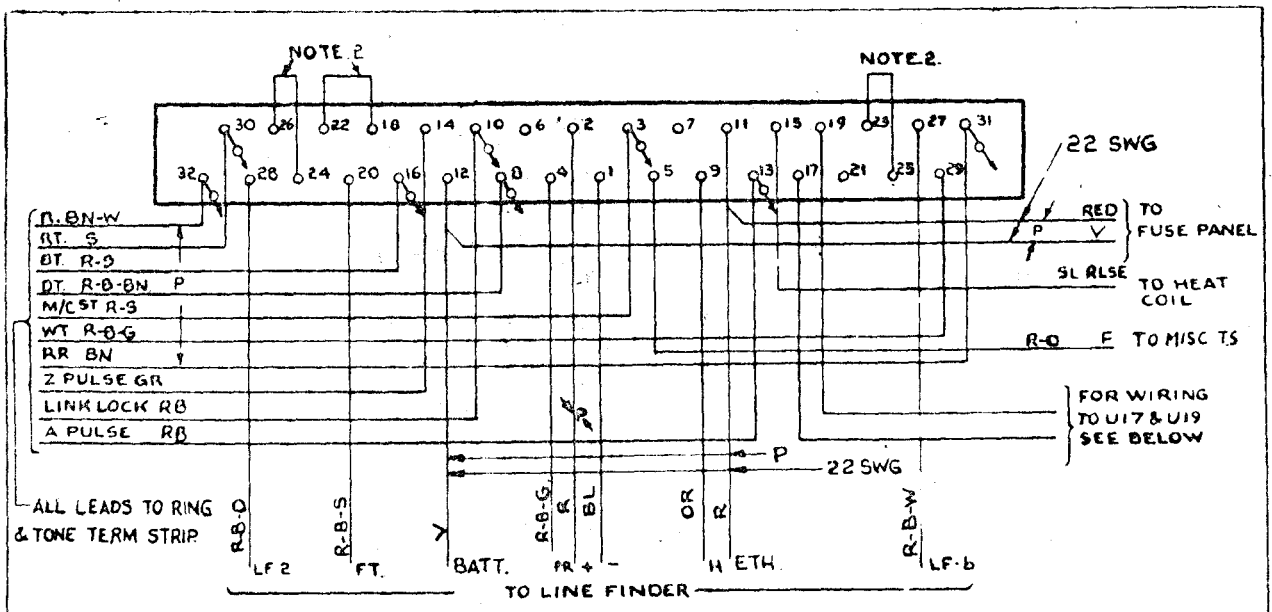


- NOTES:**
1. REMOVE LINK B & D FOR CA-14 DARTY RELEASE
 2. BELL JACK V POINTS IT IS IN MAKE WHEN SELECTOR IS REMOVED
 3. CONNECT STRAP UO-102 WHEN IN USE (GROUP 1 ONLY)
 4. STRAP UO-102 IF PRIORITY WHEN TONE IS GIVEN
 5. WHEN GROUP WAITING FACILITY IS BEING USED, RELAY H5 & RESISTOR R5 & R10
 6. CONNECTIONS SHOWN IN (GROUP 3 ONLY)
 7. REMOVE LINK B & D FOR CA-14 DARTY RELEASE

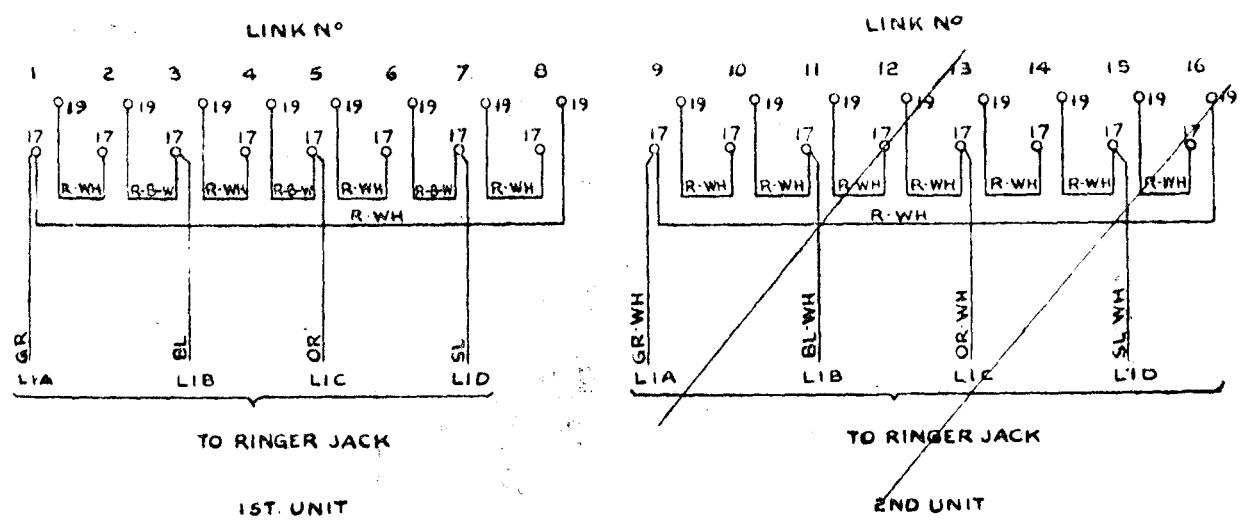
EXPLANATORY

50 TO 100 LINE PAX CONNECTING CIRCUIT	
REV. 1	REV. 2
REV. 3	REV. 4
REV. 5	REV. 6
REV. 7	REV. 8
REV. 9	REV. 10
REV. 11	REV. 12
REV. 13	REV. 14
REV. 15	REV. 16
REV. 17	REV. 18
REV. 19	REV. 20
REV. 21	REV. 22
REV. 23	REV. 24
REV. 25	REV. 26
REV. 27	REV. 28
REV. 29	REV. 30
REV. 31	REV. 32
REV. 33	REV. 34
REV. 35	REV. 36
REV. 37	REV. 38
REV. 39	REV. 40
REV. 41	REV. 42
REV. 43	REV. 44
REV. 45	REV. 46
REV. 47	REV. 48
REV. 49	REV. 50
REV. 51	REV. 52
REV. 53	REV. 54
REV. 55	REV. 56
REV. 57	REV. 58
REV. 59	REV. 60
REV. 61	REV. 62
REV. 63	REV. 64
REV. 65	REV. 66
REV. 67	REV. 68
REV. 69	REV. 70
REV. 71	REV. 72
REV. 73	REV. 74
REV. 75	REV. 76
REV. 77	REV. 78
REV. 79	REV. 80
REV. 81	REV. 82
REV. 83	REV. 84
REV. 85	REV. 86
REV. 87	REV. 88
REV. 89	REV. 90
REV. 91	REV. 92
REV. 93	REV. 94
REV. 95	REV. 96
REV. 97	REV. 98
REV. 99	REV. 100

499 LSU 4400 OI & O3



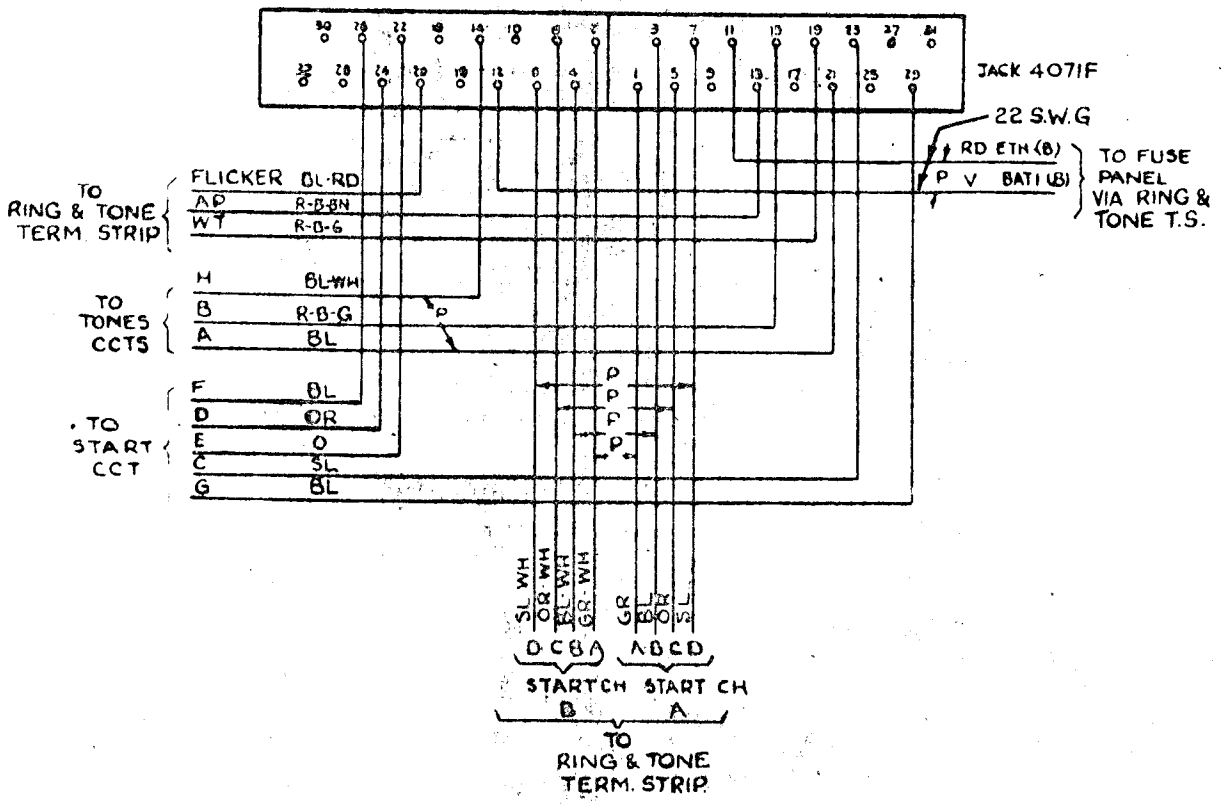
GENERAL JACK WIRING



WIRING OF U17 & 19 ON ALL JACKS

- NOTES 1. U9 & 11 AND U17 & 19 TO MAKE WHEN PANEL IS REMOVED
- 2 STRAPS SHOWN IN FULL TO BE WIRED BY SHOPS STRAPS SHOWN DOTTED TO BE WIRED BY INSPECTOR OR INSTALLER WHEN SPECIFIED (SEE SHEET 7)
3. ALL WIRING TO BE 25 SWG UNLESS OTHERWISE SPECIFIED.

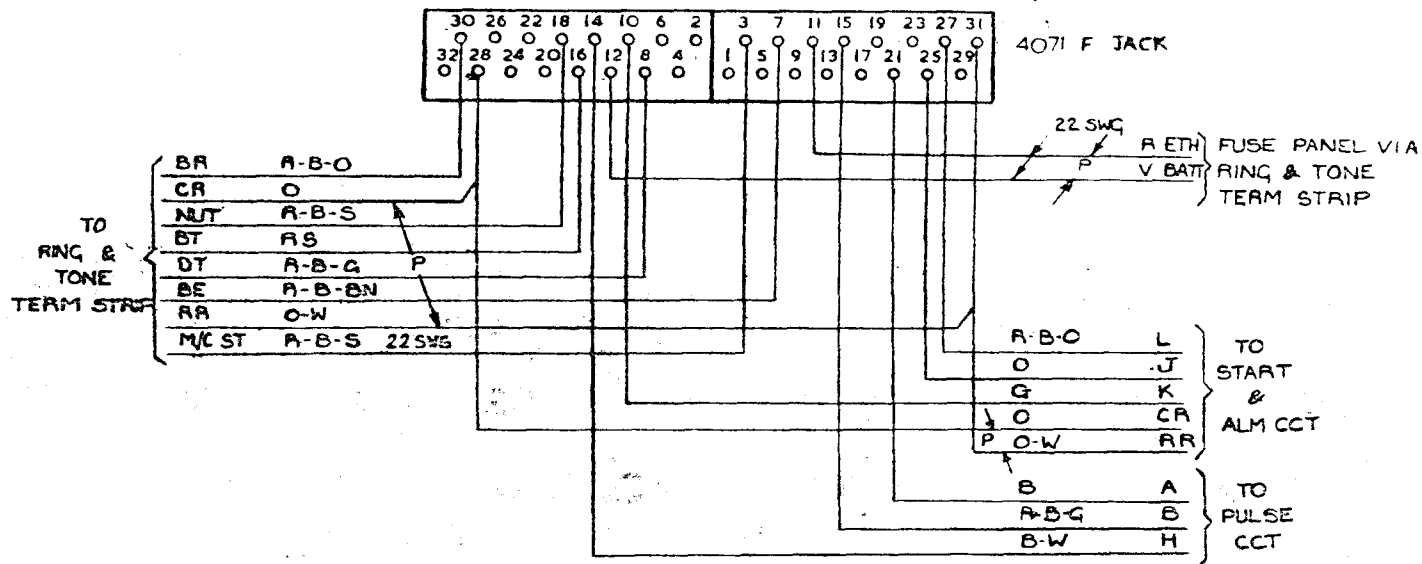
				<p>4117A PAX.</p> <p>LINK CIRCUIT</p>					
CC-OURS OF LEADS AMENDED						4	24.9.69		
U POINTS WERE SHOWN INSTEAD OF L1A L1B ETC						3	5.7.46		
NOTES ADDED DWG WAS SH 31						2	7.5.46		
						1	2.8.43		
PRINTED IN ENGLAND BY STANDARD TELEPHONES CABLES LTD LONDON				DRAWN	CHKD	WIRING	ENGS	LM 2400 GRP 1-4 SHT 13-1	



NOTE: ALL WIRING BEARING A COLOUR CODE TO BE 25 SWG EXCEPT WHERE OTHERWISE SPECIFIED.

B LEAD WAS R-G.		5	23-5-69	PULSE CCT 4117C PAX
COLOURS REVISED		4	25-2-69	
WIRING NOTE ADDED		4	21-8-68	
AMENDMENT PARTICULARS				SHT. 13/11
APPROVED AS STANDARD				LX 2406 GRPS 38 4
DRAWN BY				501 LSU 2406/3-4

AS SEEN FROM REAR



NOTE

ALL WIRING BEARING A COLOUR CODE TO BE 25 SWG UNLESS SPECIFIED.

ISSUE 1
15-2-61
WIRE SIZES
ADDED

ISSUE 2
COLOURS
REVISED

ISSUE 3
CR & RR LEADS
ADDED.
SHOWN TO
START & ALM
CCT. MINOR
COLOUR
REVISION
REDRAWN

ISSUE 4.
25 5 69

LR 2405 COPY
DISTRIBUTION

AE

DRN.

CHKD. *gms*

ENG.

DIV. REF. 85

SHT. 13 11

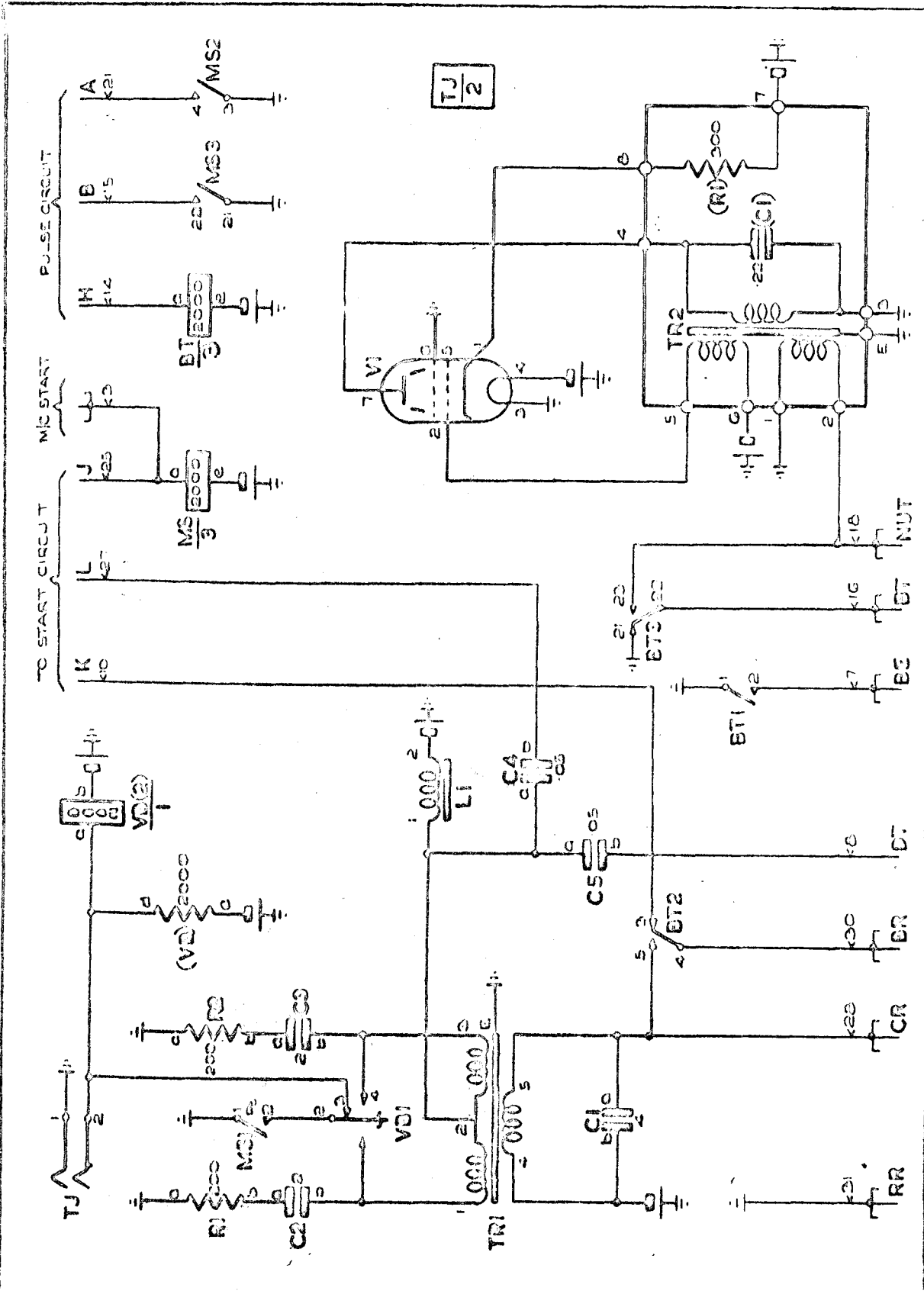
Standard Telephones and Cables Limited

LONDON ENGLAND

TITLE

4117 PAX
RING & TONE CIRCUIT

DRG No 1021 5112405-K



RING & TONES
CIRCUIT
4117 C PAX.

AMENDMENT PARTICULARS		REV	DATE	APPD	50V	W
498 LSU 2405 10.						71
ST & C LTD LONDON	DRAWN H. H.	CHECKED	WIRING	CIRCUIT		

FIG 3
RELEASE
ALARM

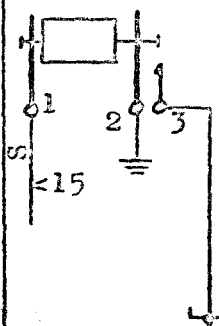


FIG 4
FUSE ALARM

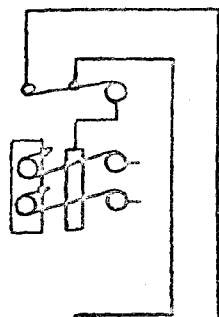


FIG 2
ALARM EXTENSION
EQUIPMENT

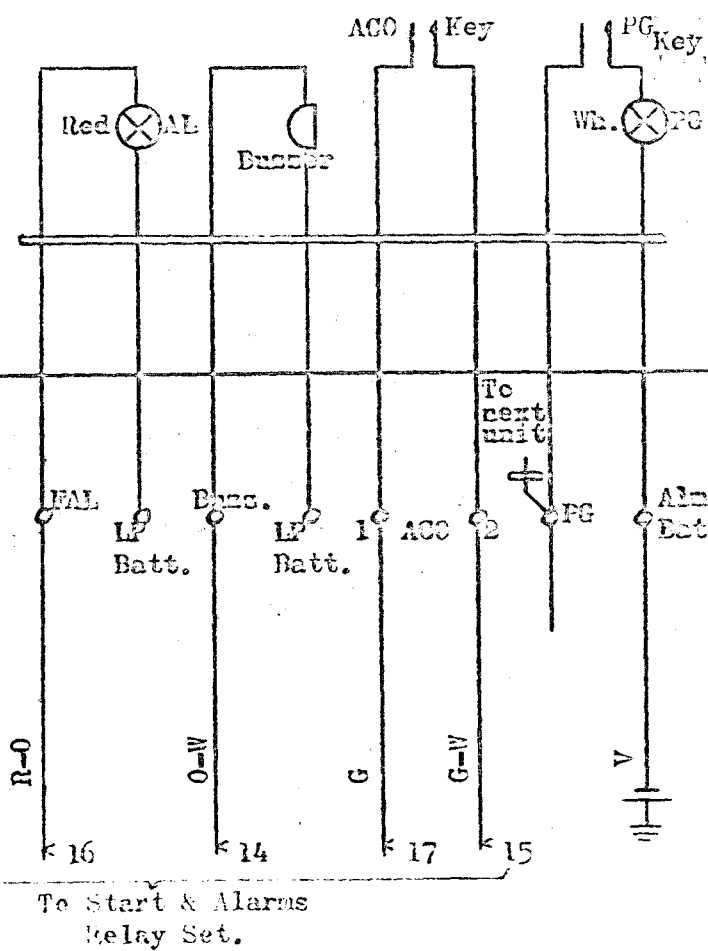


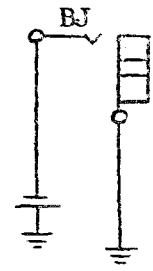
FIG 1

Notes

1. All wiring to be 25 SWG, unless otherwise specified.
2. A Non-busy line is used for incoming calls only. The assoc. line cct. I. & K relays should not be wired. The link cct. multiple

on level II should be disconnected & resistor YW connected per link to appropriate II bank terminal.
3. Where one group of lines requires Group Hunting the appropriate 'F' bank term. is strapped to selected terminal FI-8.

FIG 6
BATTERY
JACK



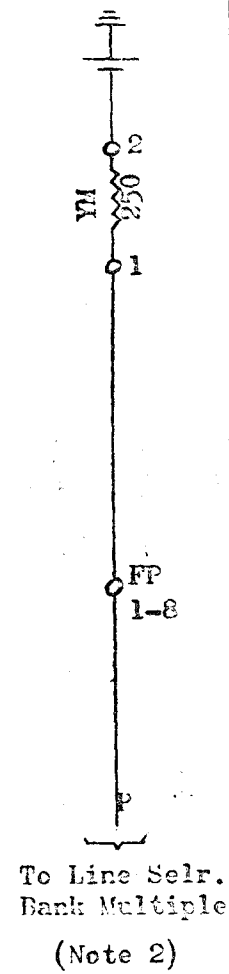
Per Unit

FIG 5
GROUP
HUNTING



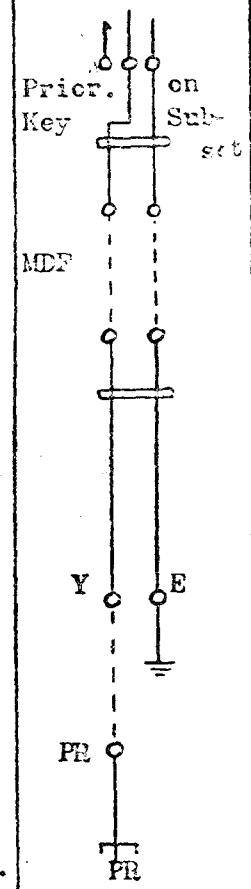
1 per Group of lines (Note 3)

FIG 7
NON-BUSY
LINE



COMMON ALARMS for 4117 PAX

FIG 8
PRIORITY
CALLING



ISSUE 4
3. + 65
REVISION PA. 1
ISSUE 4
ISSUE 5
12 = 66
TERM STRIP
WERE 40891
REFERENCE
TO 1ST UNIT
DELETED
ISSUE 6
3243

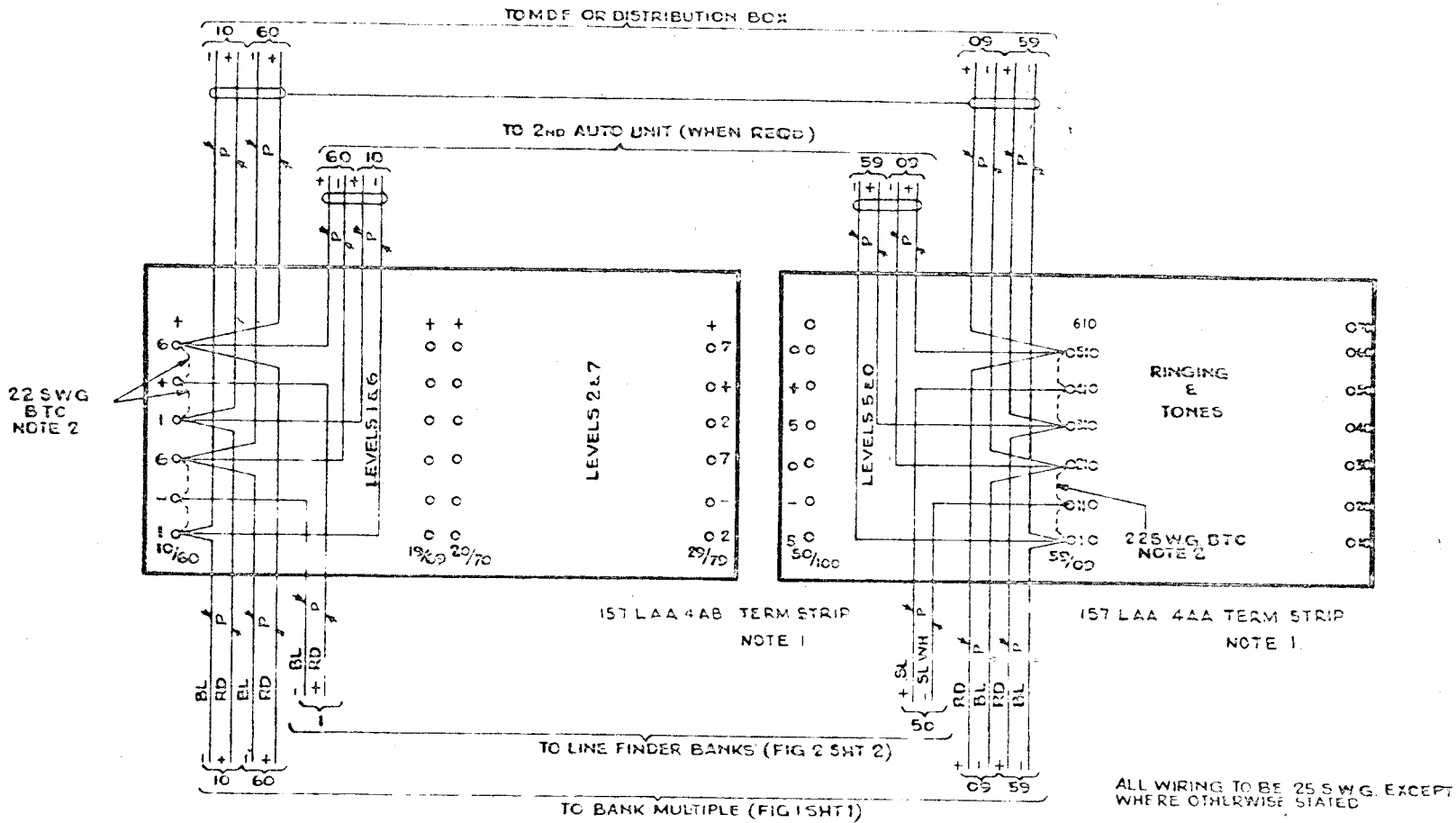


FIG 3
BANK TERM STRIPS MOUNTED ON UPPER LINK
SELECTOR SHELF

- NOTES**
- 1 BANK TAILS & LOCAL CABLE FROM LINE FINDERS TO BE TERMINATED ON 1ST NOTCH. BTC STRAPPING ON 2ND NOTCH (SEE NOTE) & CABLES TO MDF OR DISTRIBUTION BOX & 2ND UNIT (WHEN REQD) ON OUTSIDE NOTCH
 - 2 THE LINE CCTS ON THE 1ST UNIT OF A PAIR ARE ASSOCIATED WITH LEVELS 1 TO 5 & THOSE ON THE 2ND UNIT WITH LEVELS 6 - 0. THE SHOP SHALL STRAP THE LINE CCT TAGS TO BOTH SETS OF BANK MULTI TAGS AS INDICATED & THE INSTALLER SHALL CUT THE STRAPPING ACCORDING TO WHETHER THE UNIT IS USED AS A 1ST OR 2ND UNIT

DISTN
AL

DRN.
CHKD.
ENG.
DIV. REF 85
SHT. 3 of 4