

Loudspeaking Telephone 4

May 1972

Descriptive
Leaflet

DLE 512

Telephone
Apparatus

This desk unit allows a busy executive to have both hands free for dealing with papers or taking notes while using the telephone.

He speaks towards a microphone on the right of the unit and listens to a loudspeaker on the left.

The voice of the user switches on the microphone circuit, and the incoming speech switches over to the loudspeaker. As the unit works in one direction at a time, a good volume of sound can be obtained.





Description

The compact desk unit houses the loudspeaker, dial, control switches, microphone, and a pilot lamp. A handset rests on a cradle at the rear of the unit.

A small wall-mounted power unit is necessary for most installations (see General Information).

How it operates

The loudspeaking telephone is connected to the line and the pilot lamp lights when the on/off switch is pressed. At the end of a call, the switch is pressed again to clear the line.

During a call, the line can be transferred from loudspeaker to handset, simply by lifting the handset. Replacing the handset restores incoming speech to the loudspeaker.

The volume of sound from the loudspeaker is adjusted by means of three press-buttons marked 'Volume Control · · ·', and '· · ·'.

Normally '· · ·' or '· · ·' will be adequate for most line conditions. With these two settings, the first syllable uttered by the user switches the equipment to transmit, and it stays that way until incoming speech switches it to receive. When the user speaks again it switches back, and so on.

Position '· · ·' is used when the incoming speech is faint. On this setting, as soon as the user finishes speaking the instrument switches over to receive.

The microphone can be cut off by holding down a press-button. At the same time the incoming speech can still be heard.



Facilities

The loudspeaking telephone can be used on all outgoing and incoming calls.

Outgoing calls are normally made by switching on the loudspeaking telephone and dialling the number or asking the operator to get it, if on a PBX extension. The various signalling tones or the operator's voice are heard on the loudspeaker.

Incoming calls are signalled by a tone-caller inside the unit, which produces a high-pitched warbling note. Calls are answered simply by switching on the loudspeaking telephone.

If required, a call can be made or received in the normal manner by raising the handset and switching on the unit.

The line can be switched from loudspeaking telephone to handset and back during a call, whenever it is necessary to prevent other people in the room hearing the incoming information.

If it will often be necessary to switch to the handset during calls, the user may find it more convenient to have the pendant telephone handset and bracket (shown in the photograph) in place of the handset on the back of the unit.

When the microphone is cut off, people grouped around the loudspeaking telephone can hear the incoming speech, but are able to talk to each other without being heard by the caller.

The loudspeaking telephone can be used on exclusive or shared service exchange lines, PBX extensions, and most plan extensions. On certain arrangements it may be necessary to provide a buzzer or bell in place of, or in addition to, the tone caller.

It can be used on calls to other loudspeaking telephones.

Additional conference facility

Two or three people can easily join in a call on the loudspeaking telephone. When a group of up to six people wish to participate it is more convenient to use the extension microphone and loudspeaker units, shown in the photograph.

These can be provided for a small additional rental.

The units, which have cords with plugs that go into sockets at the rear of the desk unit, can be stored away when not in use.

The microphone has a cut-off button, similar to that on the desk unit, and operation of either button disconnects both microphones.

General information

The two-tone grey desk unit weighs 15½ lb (7.03kg).

Up to four press-buttons can be provided in the row of positions above the volume control, for switching on extension arrangements, signalling, and recalling the operator, as required.

In certain instances when the loudspeaking telephone is connected to a PBX, it may be possible to draw the necessary power supply from the PBX battery. In most circumstances, however, a wall-mounted power unit in a grey metal case will be provided. It is connected to a 3-pin socket outlet of at least 2-amp rating provided by the customer.



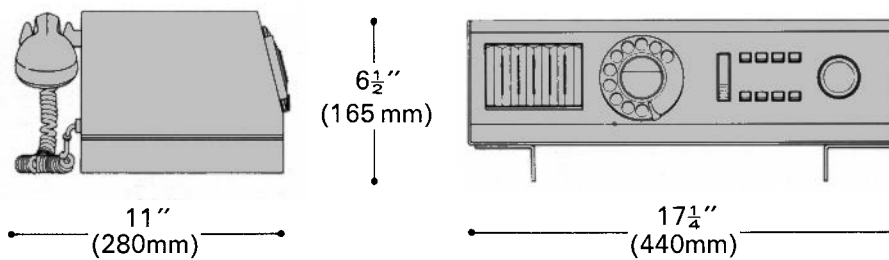
Special notes

The loudspeaking telephone works most efficiently when the user speaks directly towards the microphone from a distance of about 18" (460 mm).

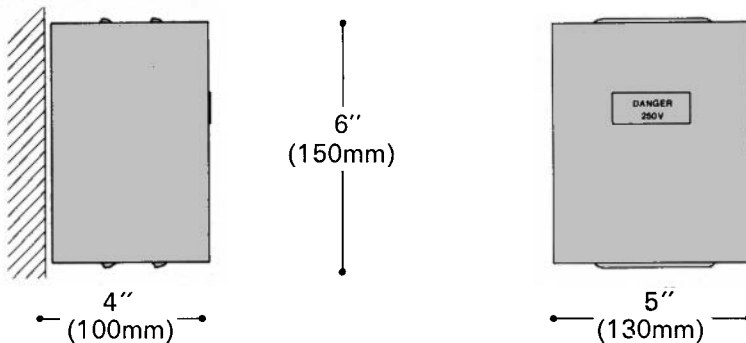
If both caller and user speak at the same time, the louder one takes precedence and cuts off the other's speech. It is advisable, therefore, that the user does not interrupt when the caller is speaking.

The equipment works best in a room which has carpets and soft furnishings. These reduce echoes and improve the quality of transmission. High background noise, large expanses of bare wall, ceiling, floor and window prevent the equipment from working properly.

Desk unit



Power unit



Please note

We do our best to supply our customers with the apparatus they ask for but we may have to provide apparatus which does not accord exactly with the descriptions and illustrations in this leaflet.

Rental and connexion charges are quoted in DLE 1 the preface sheet for section E descriptive leaflets.

Your Telephone Sales Office will gladly supply any further information

**Post Office
Telecommunications**