

# Card Callmaker

February 1972

Descriptive  
Leaflet

**DLE 562**

Telephone  
Apparatus

The card callmaker uses a punched card to do the dialling for you.

The top of the unit holds 30 cards. Index boxes are provided for larger amounts.

Anyone obtaining orders by telephone each day may find it useful to keep the punched cards with their order sheets.



### **description**

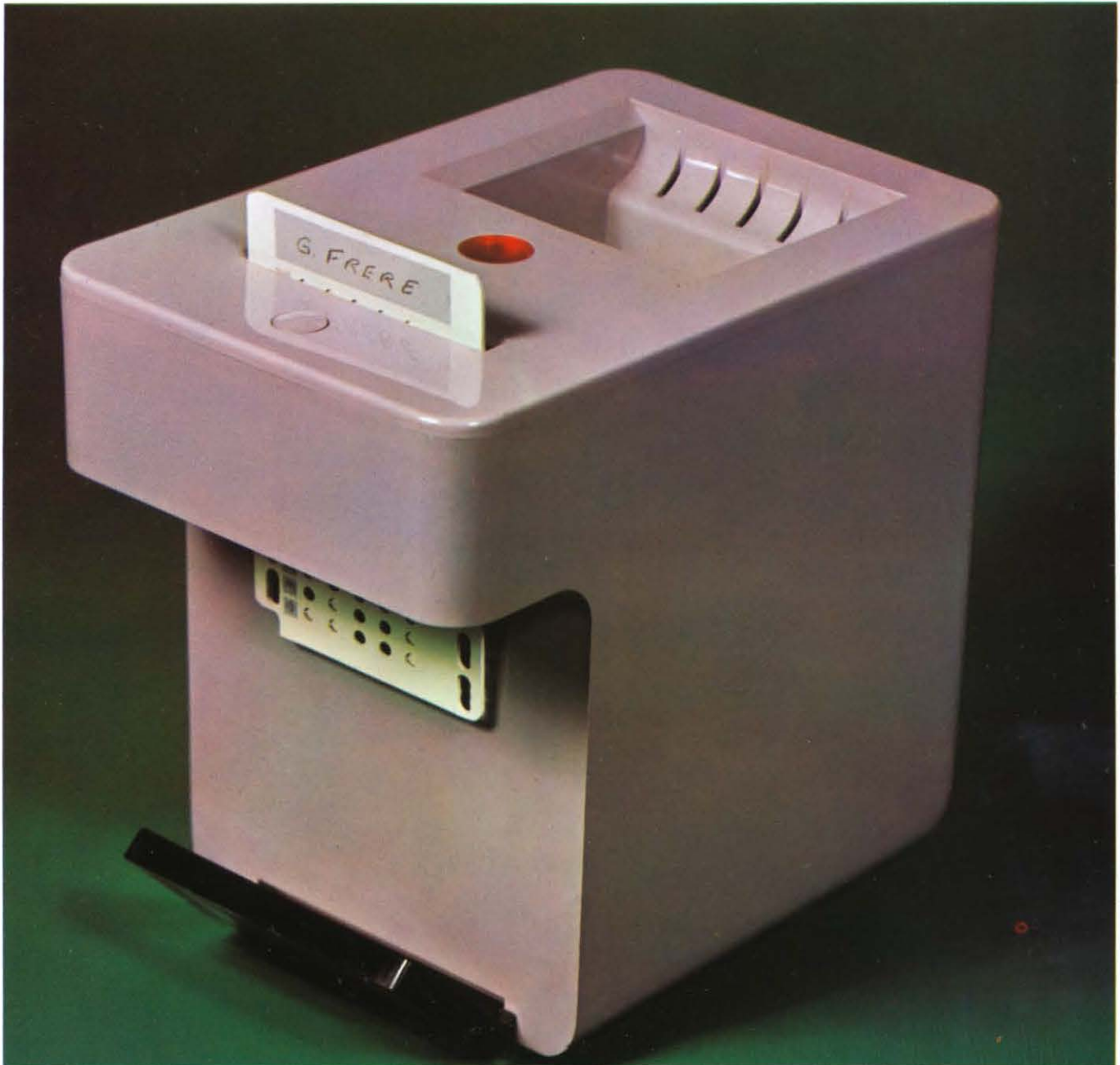
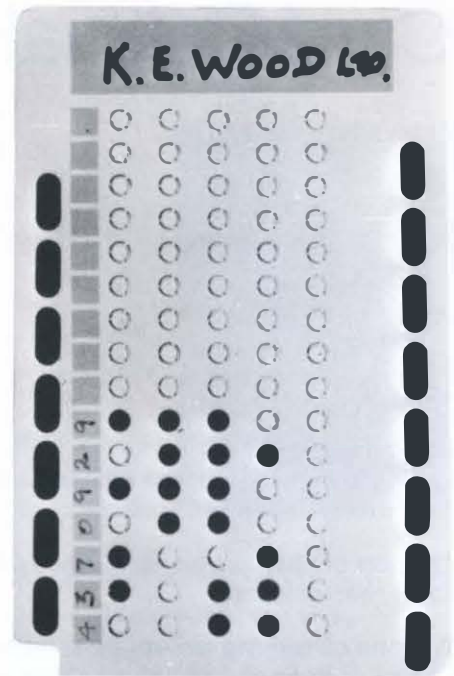
The white plastic card on which a number is stored measures  $3\frac{1}{2}$ " (89mm) by  $2\frac{1}{2}$ " (57mm) and is about  $\frac{1}{25}$ " (1mm) thick.

It has feed-holes down each side, and spaces for writing the name of the person to be called and the digits of the number.

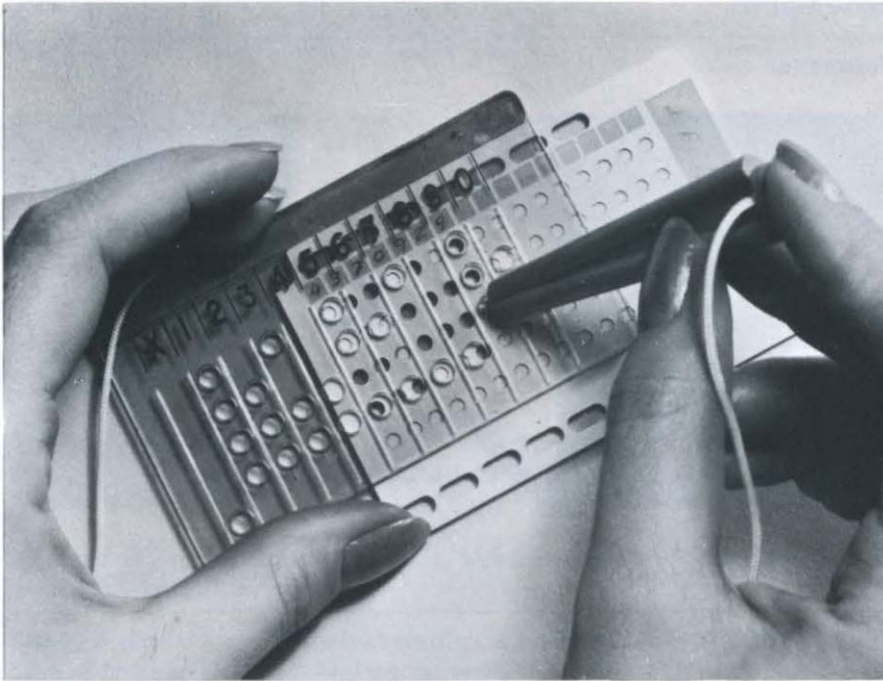
There is a row of five pre-scored holes opposite to the space where each digit is written.

A pattern of holes is punched into each row, depending upon the digit required.

The card, shown here actual size, has been punched for the number 437 0929.







### **how it operates**

**Making a call** When dialling tone is heard on the handset, the card is dropped into the slot at the front of the callmaker.

The card works its way through the slot, step by step, dialling the number automatically, then drops into the tray below.

#### **Recording a number on a card**

A guide and punch are used to push out the centres of the pre-scored holes to give the appropriate pattern for each digit of the number.

### **facilities**

The card callmaker can be used with most types of telephone from which calls can be dialled. The telephone can be used normally for numbers not stored on cards.

There is no limit, of course, to the number of telephone numbers which can be stored on cards, and each one can have up to 16 digits.

Any number that can be dialled direct in the United Kingdom and most of those dialled abroad, can be stored.

Index dividers are provided to help keep the cards in order, and speed location of numbers, when for example, they are not directly associated with order sheets.

A number is changed by punching a fresh card.

A pilot lamp on the callmaker indicates when it is switched on.

A call can be cancelled at any time by pressing a 'cancel' button and replacing the handset. The card drops through to the tray at once.

A second call can readily be made if engaged tone is heard, by clearing the line and re-inserting the card.

The callmaker can be used on an extension from a PABX. When the number is being punched on the card an extra hole is introduced opposite the access digit. On making a call, this causes a short pause after the access digit, to allow time for connection to the exchange line.

### **general information**

The callmaker is housed in a light grey plastic case, which also contains the power unit.

It is connected by means of two flexible cords, one to the telephone connection point and the other to a 3-pin socket of at least 2-amp rating, provided by the customer.

There is storage space in the top of the unit to hold up to 30 cards, separated by index dividers.

Each callmaker is provided initially with a plastic box containing 50 cards, a set of 9 index dividers, a guide and special punch.

Additional cards can be purchased in boxes of 50, each of which includes a set of index dividers.

## rental, connexion and other charges

The quarterly rental of the card callmaker is £3.50, and the connexion charge is £3.00. These prices include one box of 50 cards, a set of index cards, guide and punch.

There is a single additional charge of £2.00 for each extra box of 50 cards required.

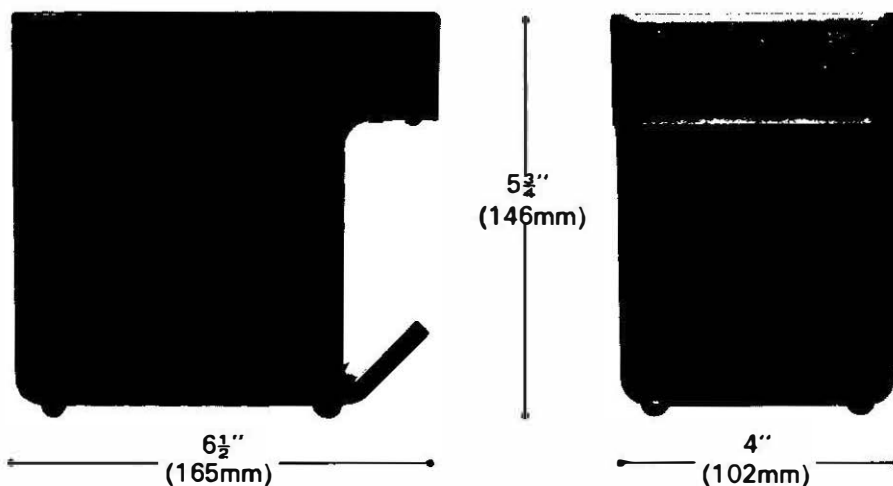
An additional guide and punch set costs 50p.

## weight

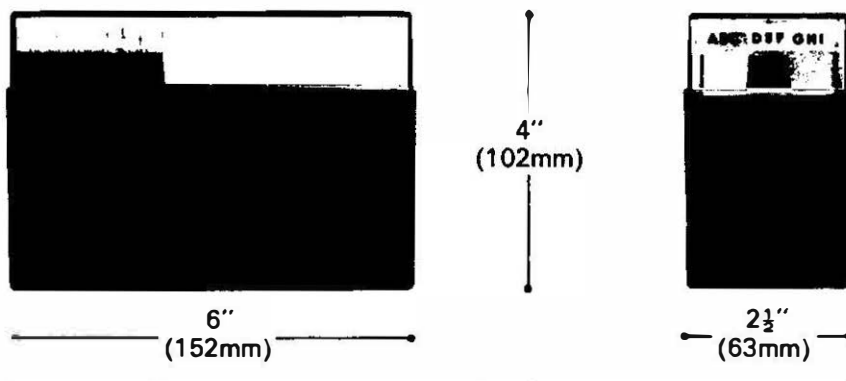
The callmaker weighs 3½lb (1.6kg).

## dimensions

### Callmaker



### Box of cards



### Please Note

We do our best to supply our customers with the apparatus they ask for but we may have to provide apparatus which does not accord exactly with the descriptions and illustrations in this leaflet.

Rental and connexion charges will be quoted in preface sheet DLE 1 when it is next reprinted. The information given above is correct as at 1st Jan. 1972. The rental and charges shown may be revised subsequently by the Post Office.

**Your Telephone Sales Office will gladly supply any further information**

**Post Office**  
Telecommunications