

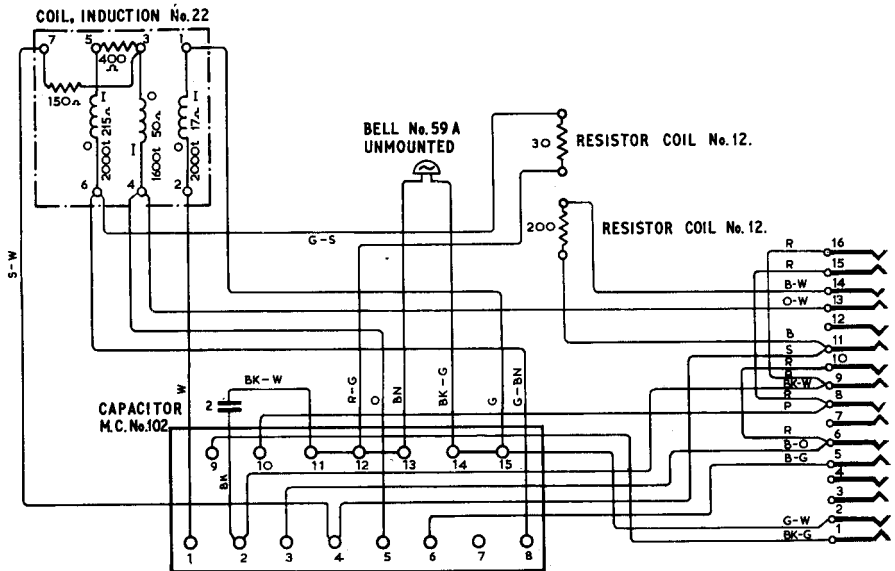
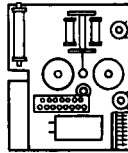
BELL SET No. 33 (MARK 1).

FOR MOUNTING INSIDE:-
 BOX, COIN COLLECTING, No.14D COMPLETE OR
 BOX, COIN COLLECTING, No.14E COMPLETE.
 AUTOMATIC SYSTEM.

N. 533

PAGE 1-3
 ISSUE E

SUPERSEDED BY
 N. 533 PAGE 3
 FOR NEW WORK



NOTE:

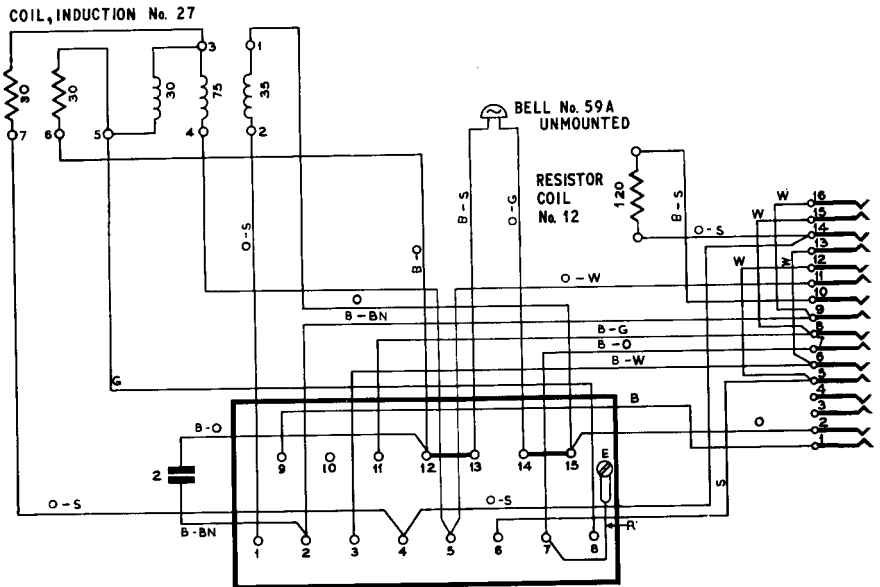
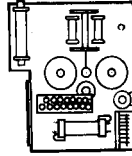
For relevant call office circuit see diagram AT3895 (N2408).

P.O.E.D. TD 1.4	ISSUES			
PAPER: Y		E	NEW FORMAT <i>AKK</i>	22 - 1 - 68
CIRCULATION C.B. & AUTO.		D	COLOURS CHANGED ON PAGE 3	18 - 3 - 58
		C	MK 2. 30Ω RES. DELETED	16 - 8 - 54
			E.S.R. S1	23 - 12 - 35

N. 533
PAGE 2-3
ISSUE E

BELL SET No. 33 (MARK 3)
FOR MOUNTING INSIDE BOXES,
COIN COLLECTING, No. 14..... COMPLETE.
AUTOMATIC SYSTEM.

N. 533
PAGE 3-3
ISSUE E
SUPERSEDES
N. 533, PAGE 1
FOR NEW WORK



NOTE:
The relevant call office diagram is N2408.

P.O.E.D. TD 1.4	ISSUES		
PAPER: W			
CIRCULATION C. B. & AUTO.	E	NEW FORMAT <i>JK</i>	22 - 1 - 68
	D	COLOURS CHANGED ON PAGE 3	18 - 3 - 58
		E. S. R. S1	23 - 12 - 25