

**BOX, COIN COLLECTING No.725...
PAY ON ANSWER COIN BOX AND TELEPHONE. NOTE 1**

**N825
PAGE 1-4
ISSUE 6**

NOTES:—

- 1 BCC No. 725E is supplied suitable for wall mounting and is used in the portable mode by the addition of a Holder, Coinbox 1C and Plugs No. 420, Black, with Cord Instrument No. 4/97AD Black, 300" (see Fig 5). The coinbox can also be mounted on a Trolley LC (mobile mode) when a Plug No. 420, Black, with Cord Instrument No. 4/97AD, Black, 300" will be required.(see Fig 5).
- 2 In the wall mounted mode cable directly to Block Terminal B. The line must be connected, A leg (+Ve) to B2, B leg (-Ve) to B3, the Earth to B1, and strap Terminals B3 & B4. For the portable and mobile modes see Fig 5, 6 & 7.
- 3 Relay SU unlocks the coin slots when energised by line current reversal on Called Sub answer.
- 4 A Bell-Set No. 26 must be fitted at each portable and mobile installation. See Figs 6 & 7.
- 5 If an extension bell is required in the wall mounted mode, connect bell between Block Terminal B3 & B4 and remove strap where provided.
- 6 The cord conductor colours shown are those for a Cord, Instrument No. 12/AD. The colour shown in brackets refer to the Cord, Instrument No. 12/AJ, which was used on-early models.
- 7 The wire colours in brackets for the micro-switches are to be found on early models.
- 8 These points are connected by transferring the parked Jack No. 75D to the CJ Plug, to provide 999 service with mechanism removed.

PO TELECOMMS HQRS PAPER:—W DISTN:— GENERAL	ISSUE	B	REFERENCE TO BCC 725A, B AND D DELETED, AND BCC 725E ADDED. <i>M.W.H.</i>	28.12.79
		A	FIG.1 AND NOTE 4 DELETED. REFERENCE TO BCC No.725D ADDED. E.M.S. <i>M.W.H.</i>	22.8.78
			M.B.M. E.W.	TD 7-2-3 13-5-76

FIG. 2. EXPLANATORY WALL MODE
NOTE 1

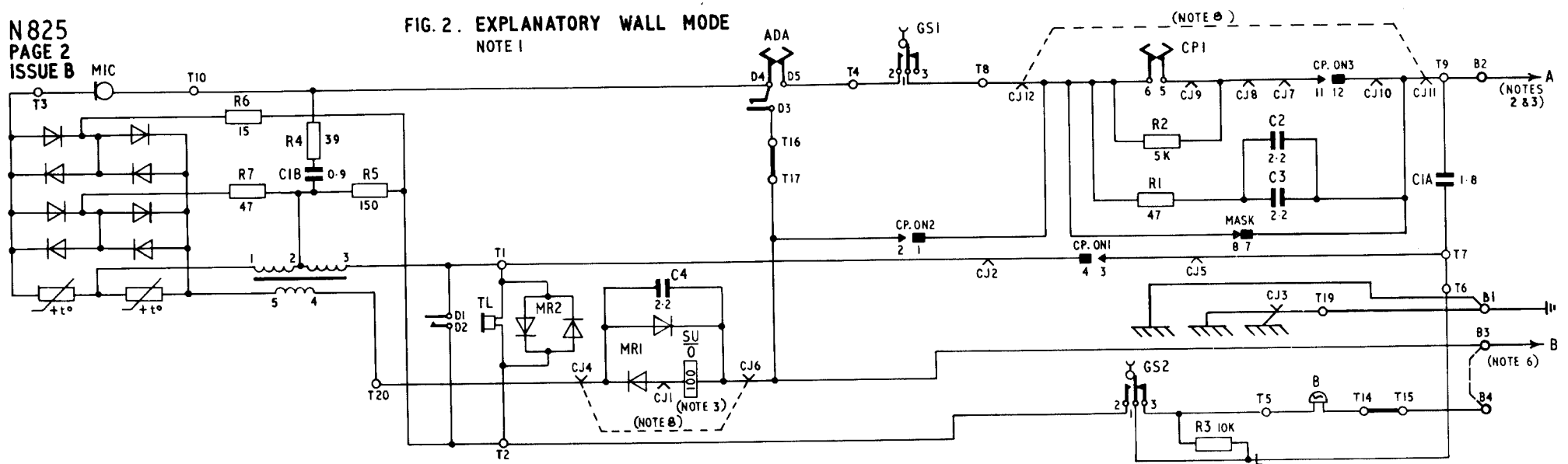


FIG.3 WIRING

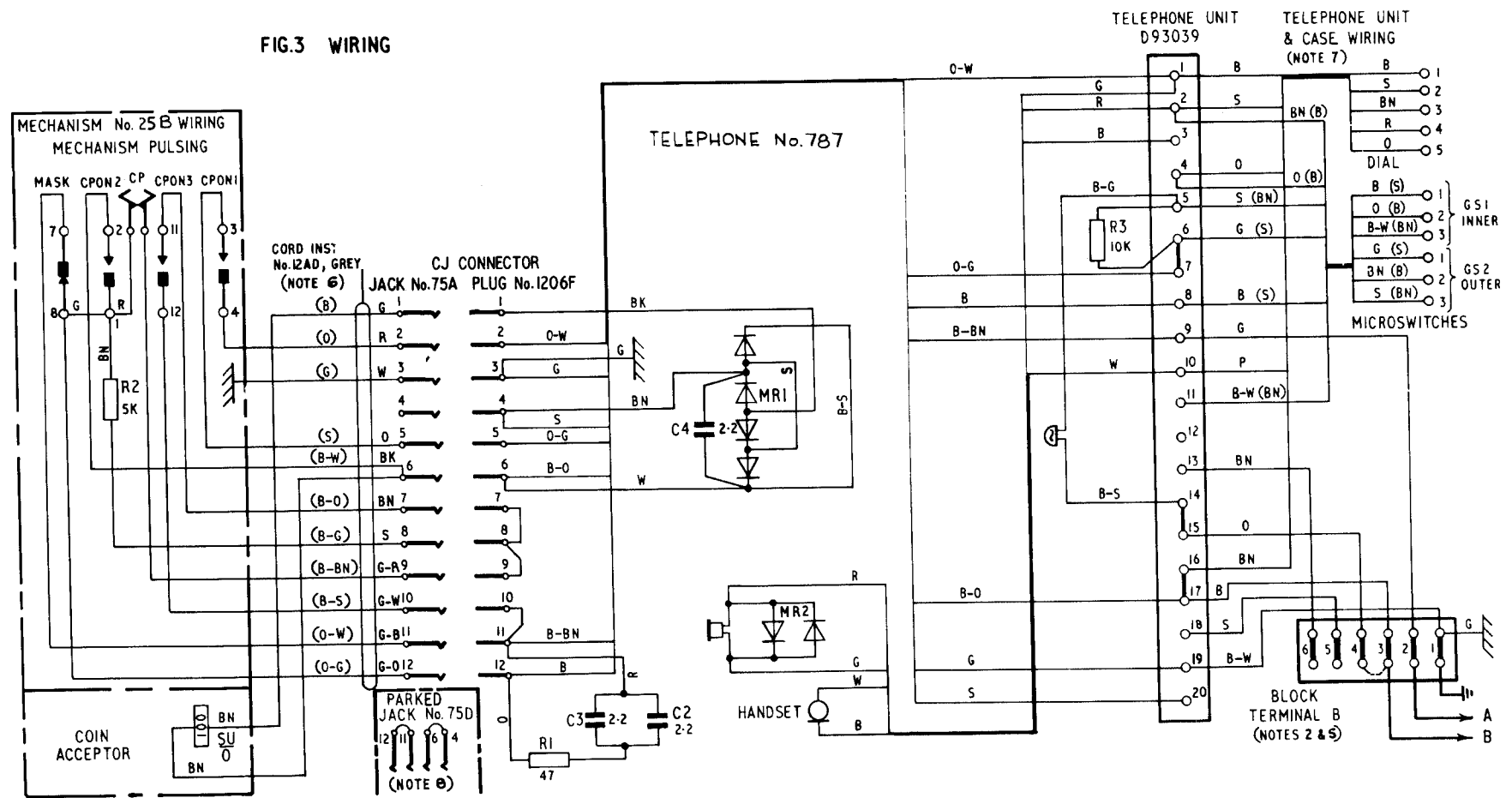


FIG. 4. EXPLANATORY PORTABLE AND MOBILE MODE NOTE 1

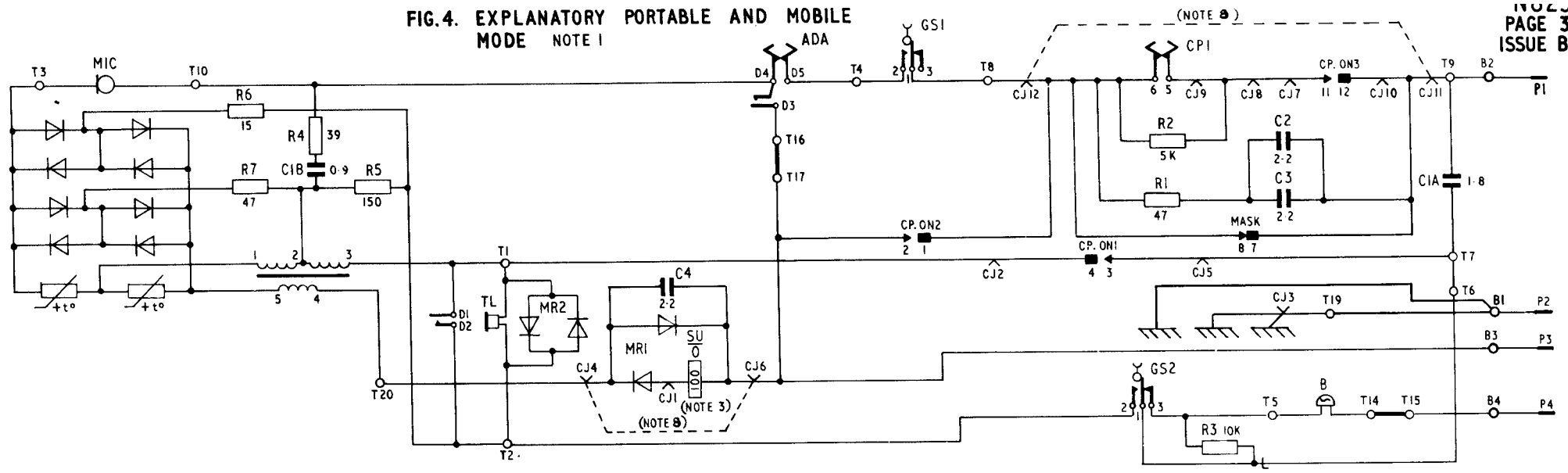
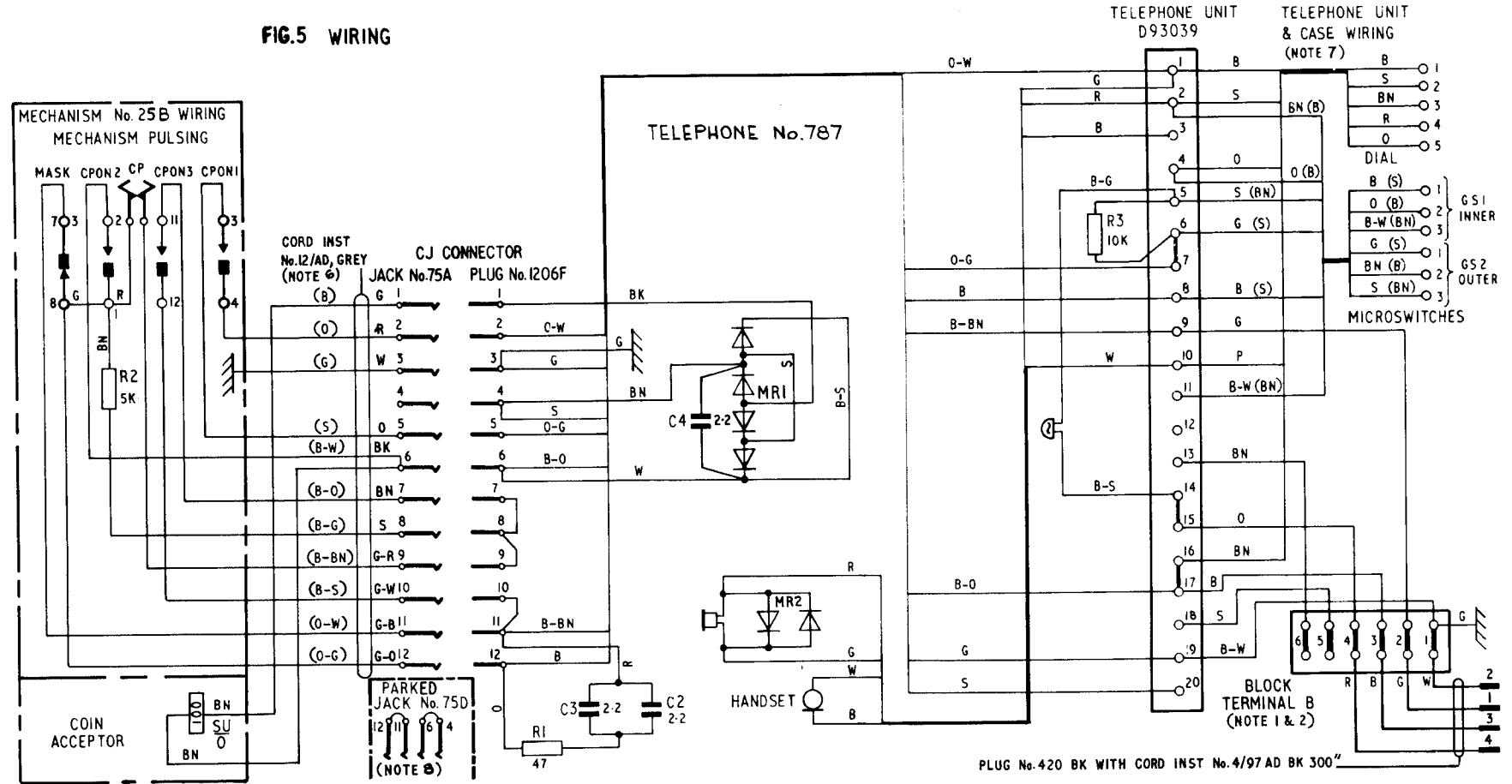


FIG. 5 WIRING



PLUG No. 420 BK WITH CORD INST No. 4/97 AD BK 300"

FIG. 6. INSTALLATION-WIRING FOR PORTABLE AND MOBILE MODE (NOTE 1)

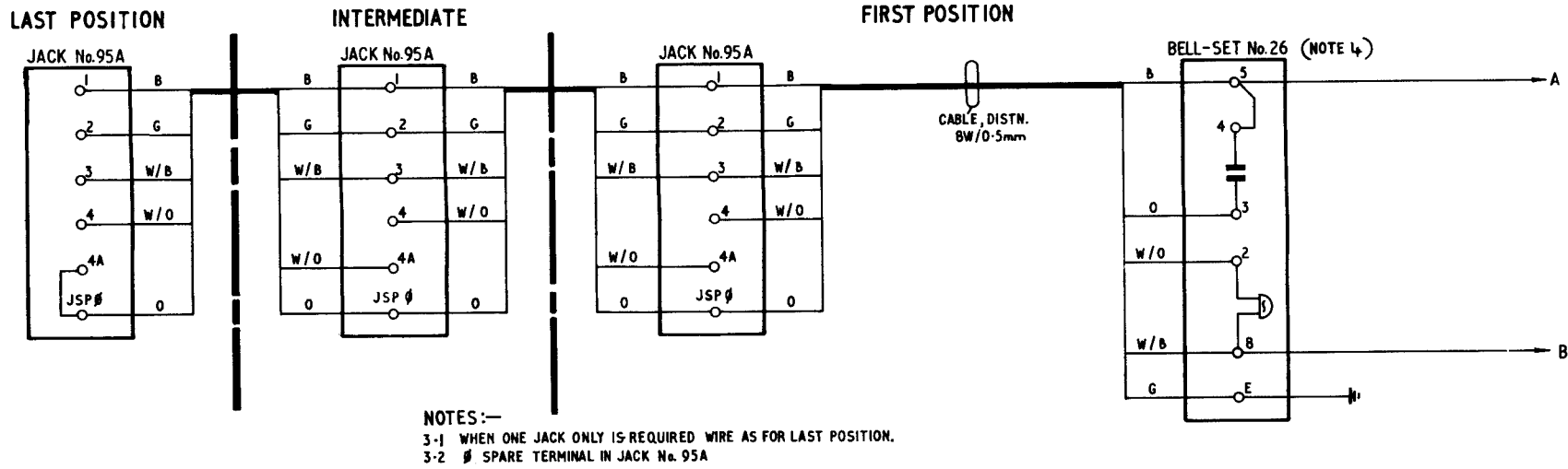


FIG. 7. EXPLANATORY

PART OF BOX, COIN-COLLECTING No.725...

