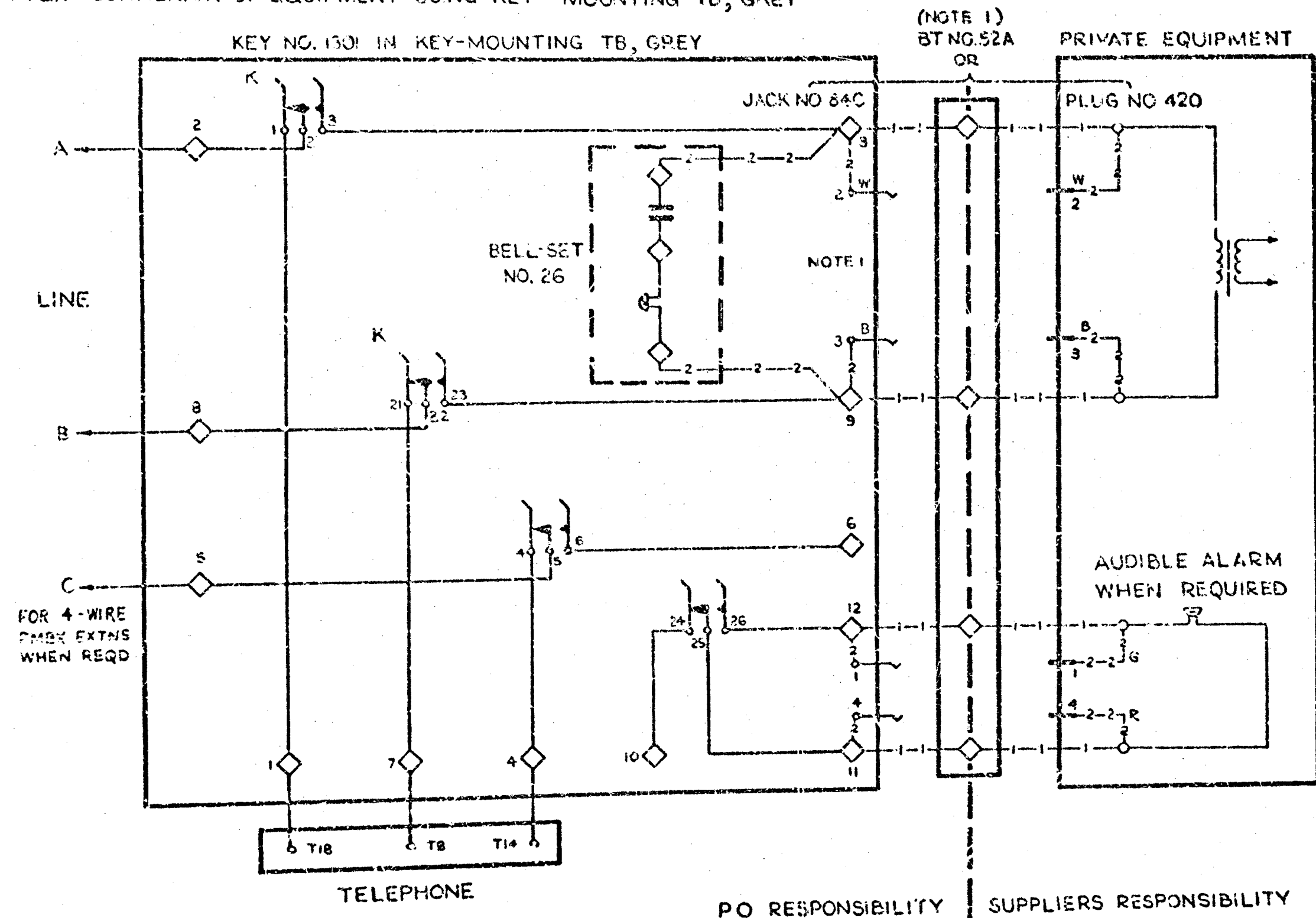


FIGS 1 AND 2 SHOW THE TYPE OF CONNEXION USED WHEN LINE SWITCHING IS VIA A P.O. KEY.

FIG.6 SIMILAR ARRANGEMENT TO FIG.5 WITH ADDITIONAL FACILITY OF RECALL

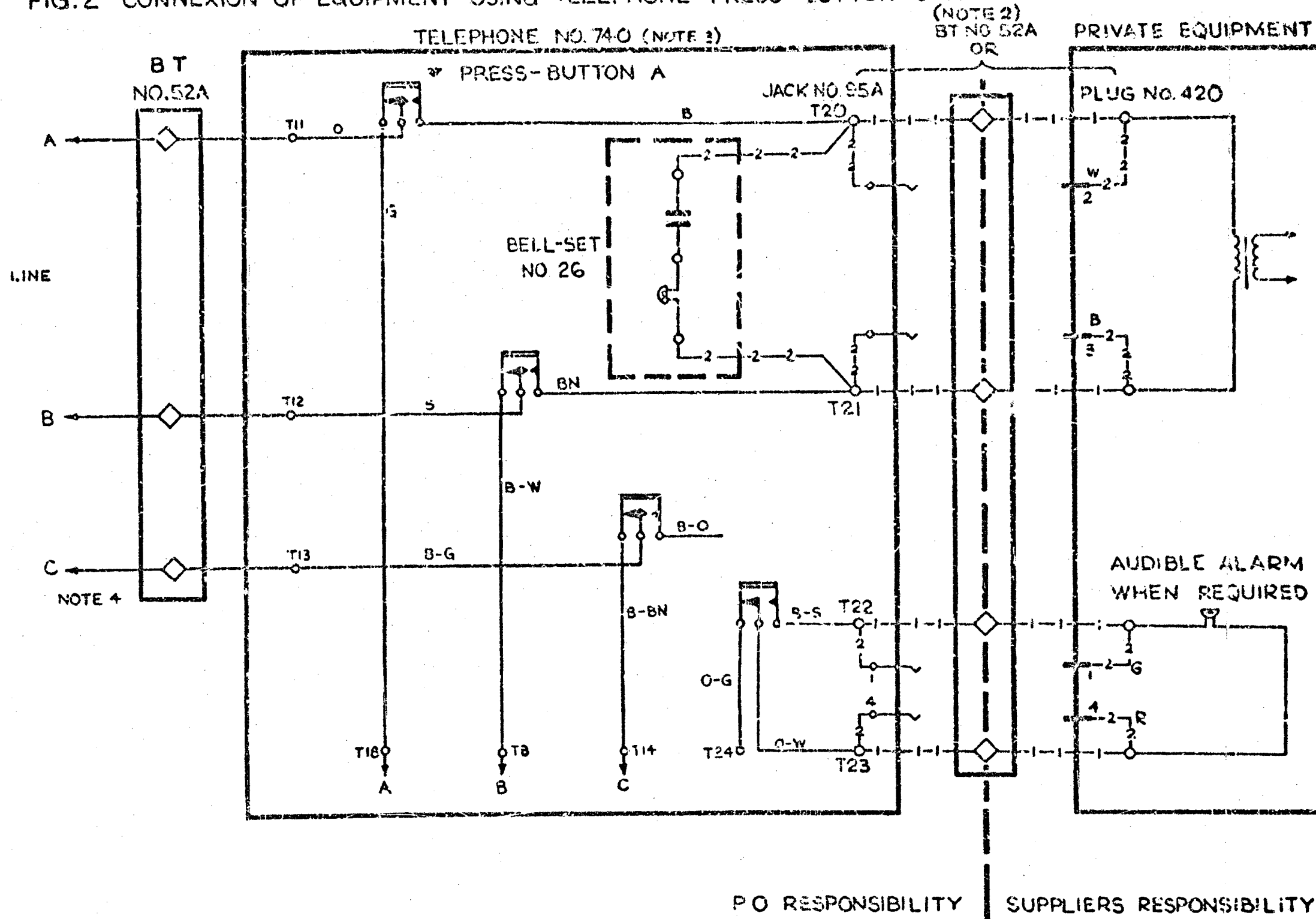
FIG.1 CONNEXION OF EQUIPMENT USING KEY-MOUNTING TB, GREY



NOTE:-

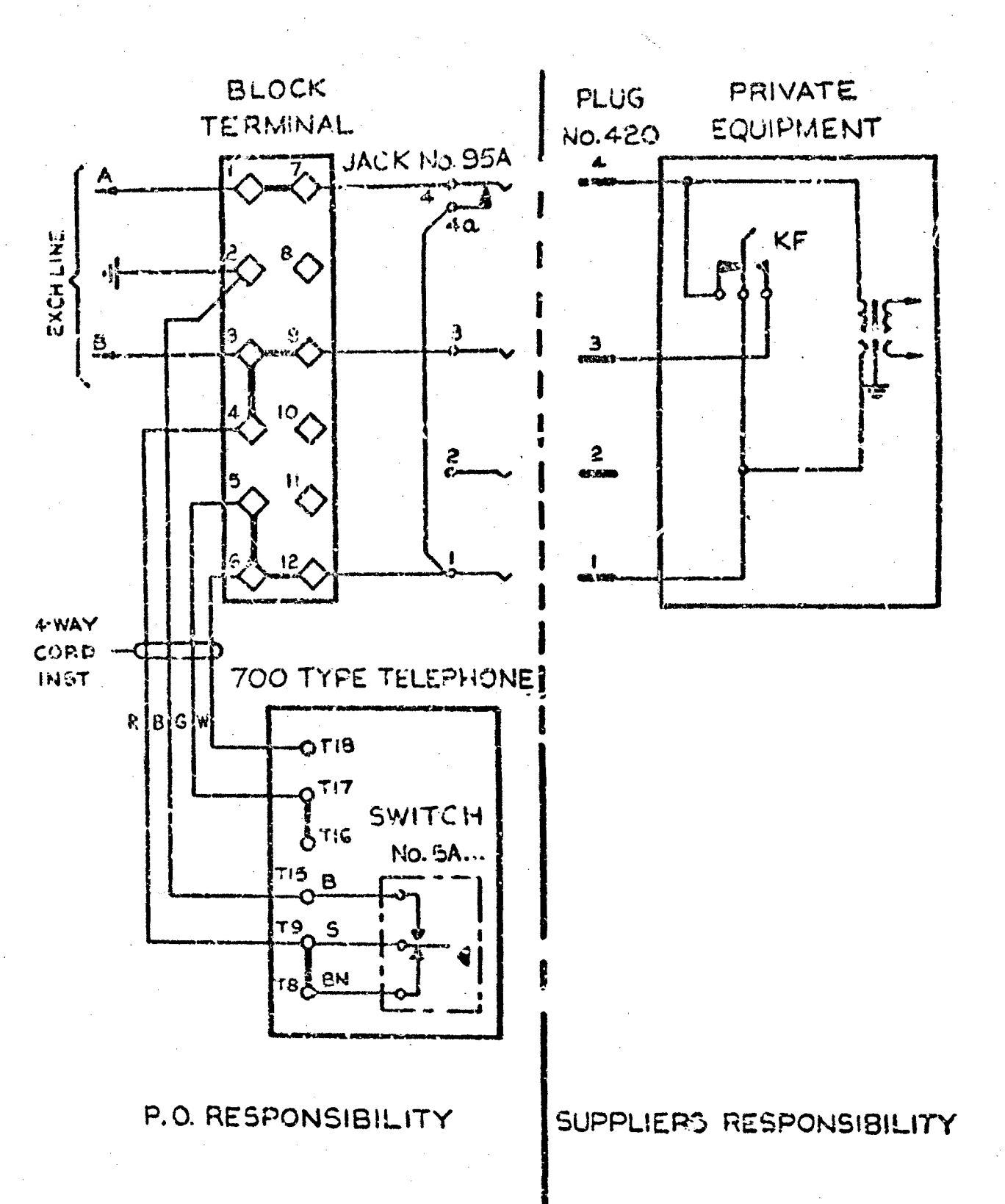
- IF THE PRIVATE EQUIPMENT IS TO BE USED AT MORE THAN ONE STATION, A JACK NO. 84C SHOULD BE FITTED TO THE FRONT CUT-OUT OF THE KEY MOUNTING, AND CABLED TO A BELL SET NO. 26 (CABLING - 2-2-2 - REFERS). ALTERNATIVELY, IF THE PRIVATE EQUIPMENT IS PERMANENTLY SITED, CONNEXION TO THE KEY MOUNTING SHOULD BE MADE WITH THE 4-WAY CORD VIA A BT NO. 52A. (CABLING - 1-1-1 - REFERS) THE BT IF PROVIDED IS ADDITIONAL AND SERVES AS THE MAINTENANCE BOUNDARY.

FIG.2 CONNEXION OF EQUIPMENT USING TELEPHONE PRESS-BUTTON SWITCHING



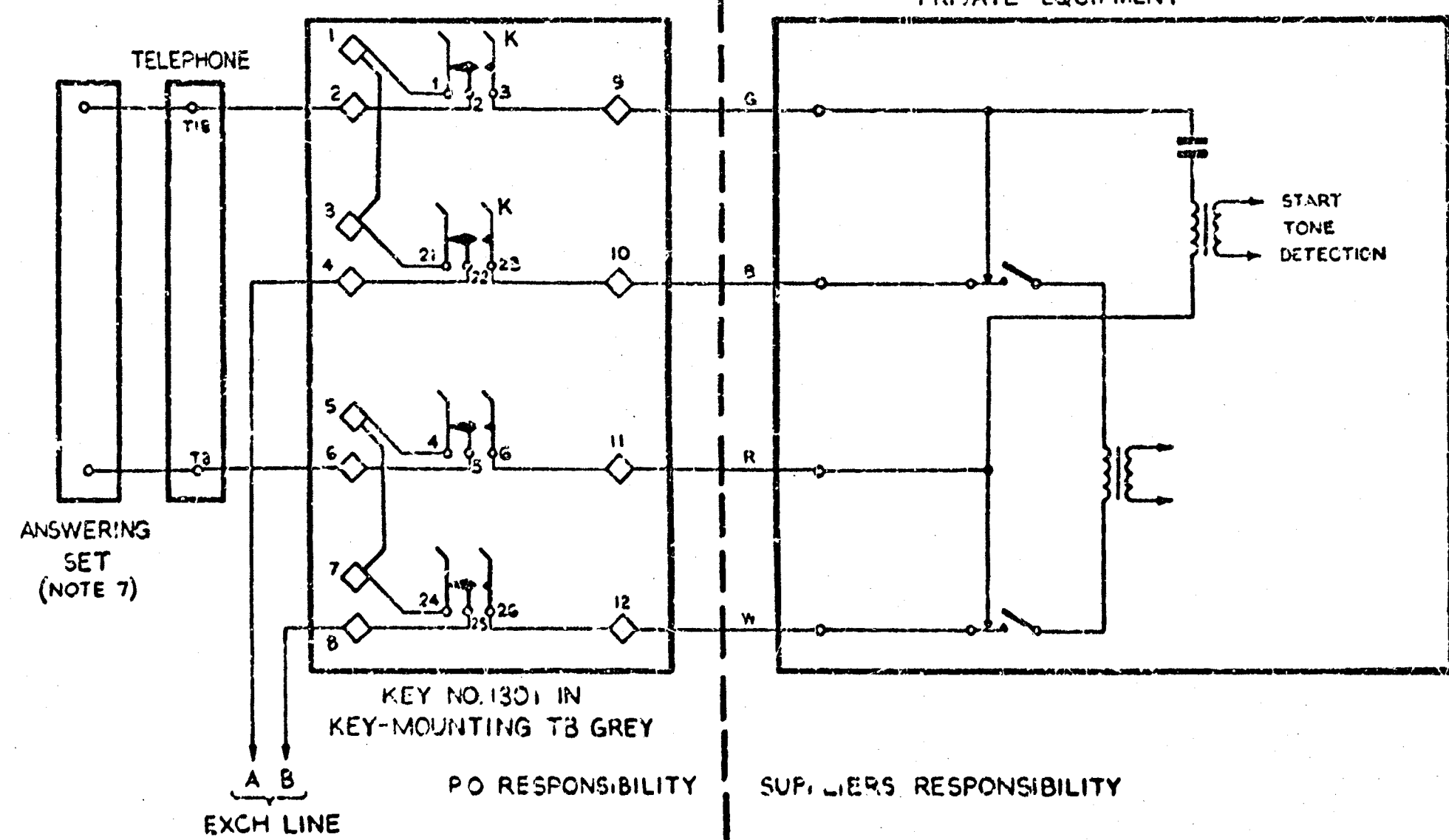
NOTES:-

- PROVIDE A JACK 55A AND BELL SET 26 (CABLING - 2-2-2) OR BT 52A (CABLING - 1-1-1) AS REQUIRED THE BT, IF PROVIDED IS ADDITIONAL AND SERVES AS THE MAINTENANCE BOUNDARY.
- THIS FIGURE SHOULD BE USED IN CONJUNCTION WITH DIAGRAM N440
- FOR P.M.B.V. "C" WIRE SIGNALLING WHEN REQUIRED
- PRESS BUTTON A:- FIT SPRINGSET NO.105P/374 AND BUTTON NO.12/DBU/372, LATCH ACTION, LOCKING WITH GRAVITY SWITCH RELEASE
- PRESS BUTTON B:- FIT PART 1/DBU/26 AND BUTTON NO.13/DBU/372, LATCH ACTION, NON LOCKING TO RELEASE BUTTON A



FIGS. 3, 4 AND 5 SHOW THE TYPE OF CONNEXION USED WHEN LINE SWITCHING IS EFFECTED ON THE FACSIMILE MACHINE

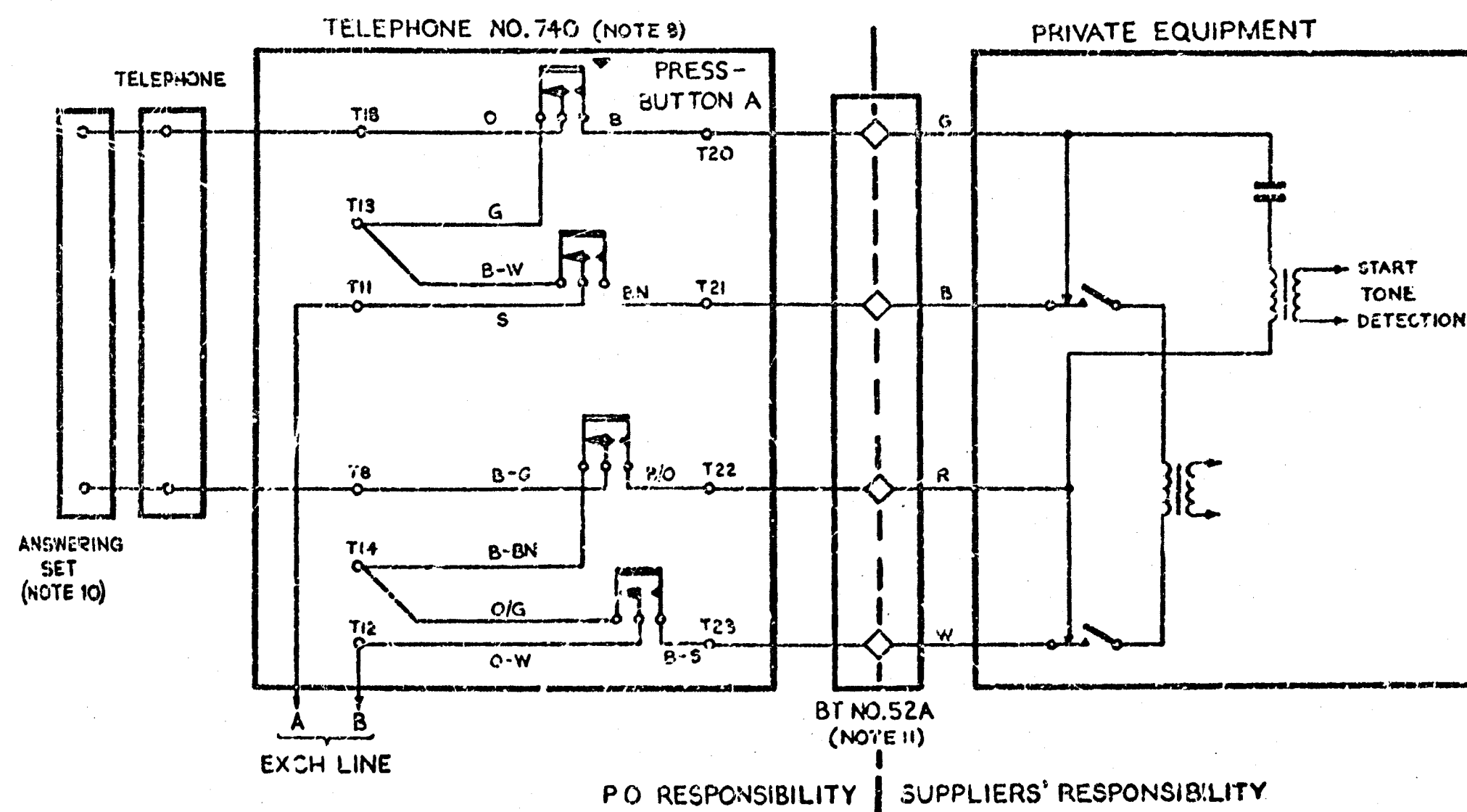
FIG.3 CONNEXION OF EQUIPMENT USING KEY-MOUNTING TB GREY



NOTE

- IF AUTOMATIC ANSWERING IS REQUIRED, A P.C. OR A PRIVATE APPROVED ANSWERING SET MAY BE USED. IF A P.O. SET IS USED REFER TO DIAGRAM N 419C

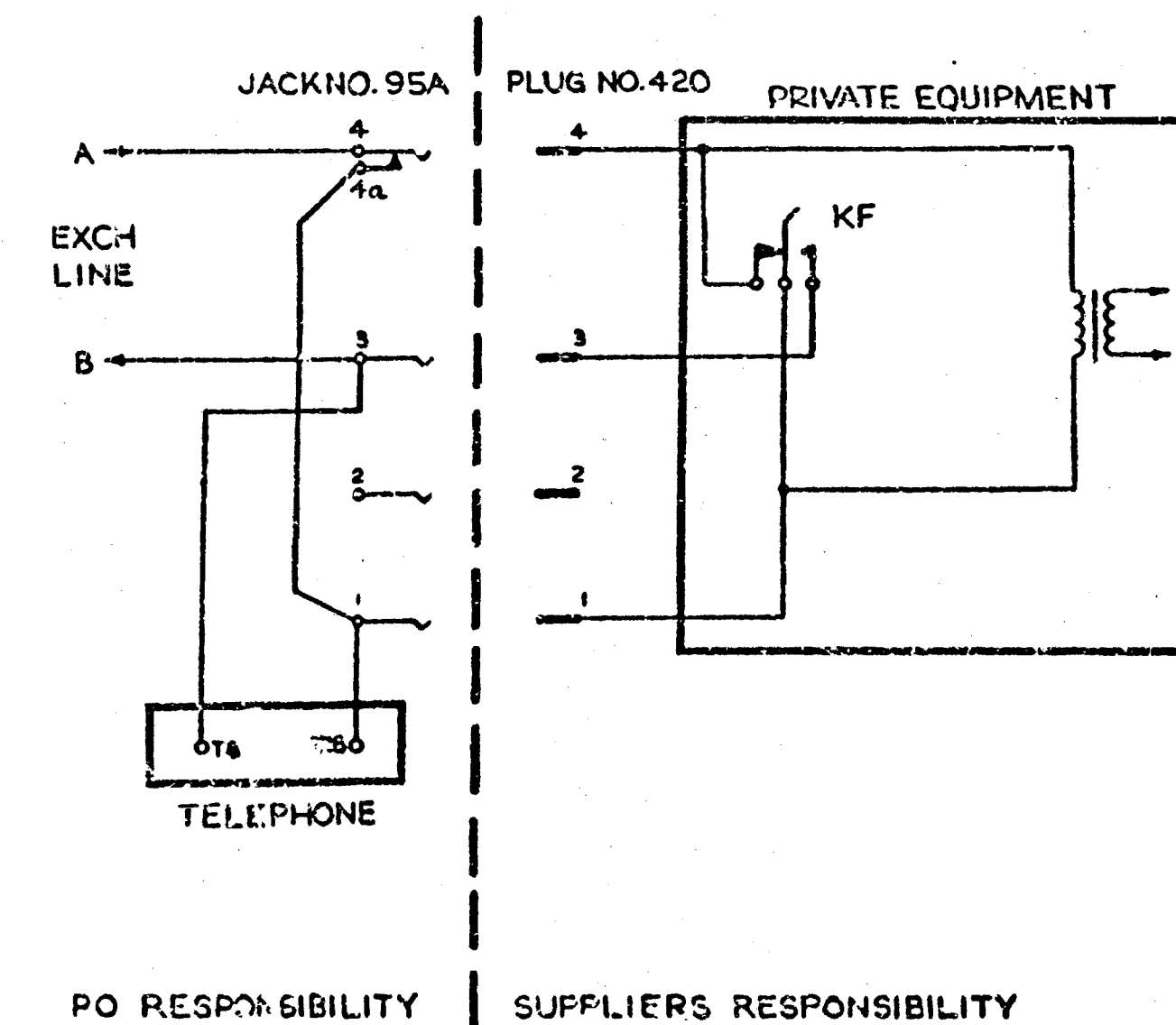
FIG.4 CONNEXION OF EQUIPMENT USING TELEPHONE PRESS-BUTTON SWITCHING



NOTES:-

- THIS FIGURE SHOULD BE USED IN CONJUNCTION WITH DIAGRAM N 840
- PRESS-BUTTONS A AND B, AS FIGURE 2 EXCEPT, BUTTON A LATCH ACTION IS LOCKING WITHOUT GRAVITY SWITCH RELEASE
- IF AUTOMATIC ANSWERING IS REQUIRED, A P.O. OR A PRIVATE APPROVED ANSWERING SET MAY BE USED. IF A P.O. SET IS USED REFER TO DIAGRAM N 419C
- THIS BT IS ADDITIONAL AND SERVES AS THE MAINTENANCE BOUNDARY

FIG.5 CONNEXION OF EQUIPMENT USING A JACK 95A AND PLUG 420



NOTES:-

- WITH KEY KF NORMAL, FACSIMILE MACHINE IS SHORT-CIRCUITED AND TELEPHONE IS IN CIRCUIT. WITH KEY KF OPERATED, TELEPHONE IS SHORT-CIRCUITED AND FACSIMILE MACHINE IS IN CIRCUIT
- IF PLUG IS REMOVED, TELEPHONE IS IN CIRCUIT

<p>AO A1</p> <p>12-3-72</p>	<p>FIG.6 ADDED</p> <p>FIG 2 AUX SPRING-SET CORD COLOURS TRANSPROSED. FIG.3 AUX SPRING-SET CORD COLOURS TRANSPROSED AND BUTTON A LATCH ACTION CHANGED</p> <p>26-7-73</p>	<p>© POST OFFICE</p> <p>CONNEXION OF FACSIMILE AND DATA EQUIPMENT TO P.O. LINES</p> <p>SA 14</p>	<p>DSM N 4193 N 8+0</p> <p>DRG DGP/244 DRU/372 D67/26</p>
---------------------------------	---	--	---

MILKUP