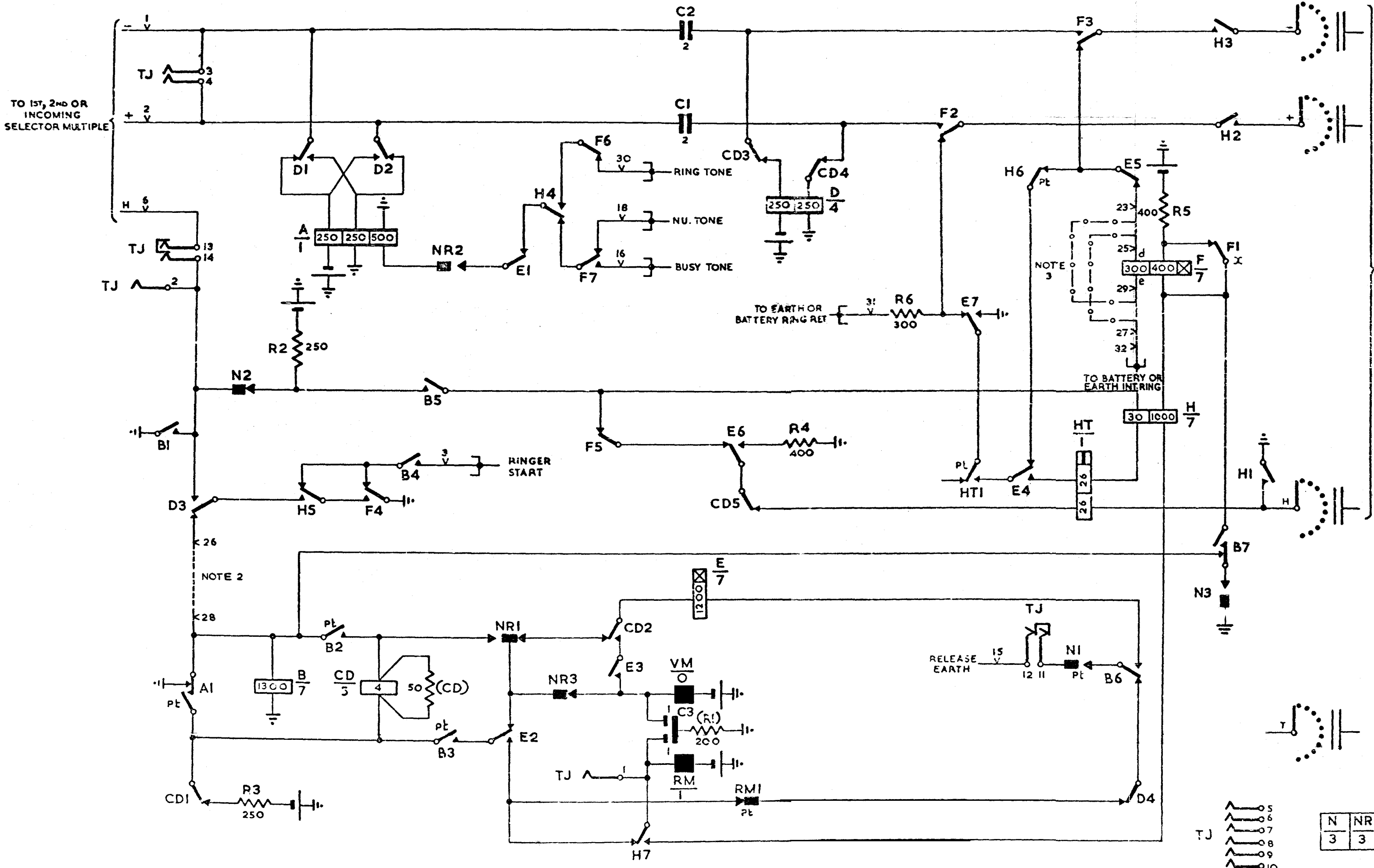


TRIM TO THESE LINES 13X 2

D.O. REF.
GROUP C
D.V. PAS.



NOTE 2

NOTE 3

POST OFFICE ENGINEER'S OFFICE
ENGINEERING OFFICE'S OFFICE
DGM SA 8153/1

**FINAL SELECTOR
(REGULAR)
100 LINE
FOR PABX. No.3**

DESIGNED FOR NEW WORK BY
DGM. SA 8153/2.

SPECIFICATION S333
SA 8153/1

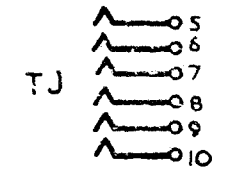
REARRANGED 19.1.61 A

SUPERSESSON NOTE ADDED. 2.6.66 B

NOTES:-

1. FUSE 1-5A PER SELECTOR.
2. CUT STRAP U26-28 FOR CALLING PARTY RELEASE.
3. WHEN INT. RINGING BATTERY IS EMPLOYED STRAP U27-29, U23-25 WHEN INT. RINGING EARTH IS EMPLOYED STRAP U25-27, U23-29.

DO NOT SCALE
A MICROFILM PROCESS PRINT



N	NR	TJ
3	3	14

E-111-C 458 A
LIMIT OF PLATING SPACE