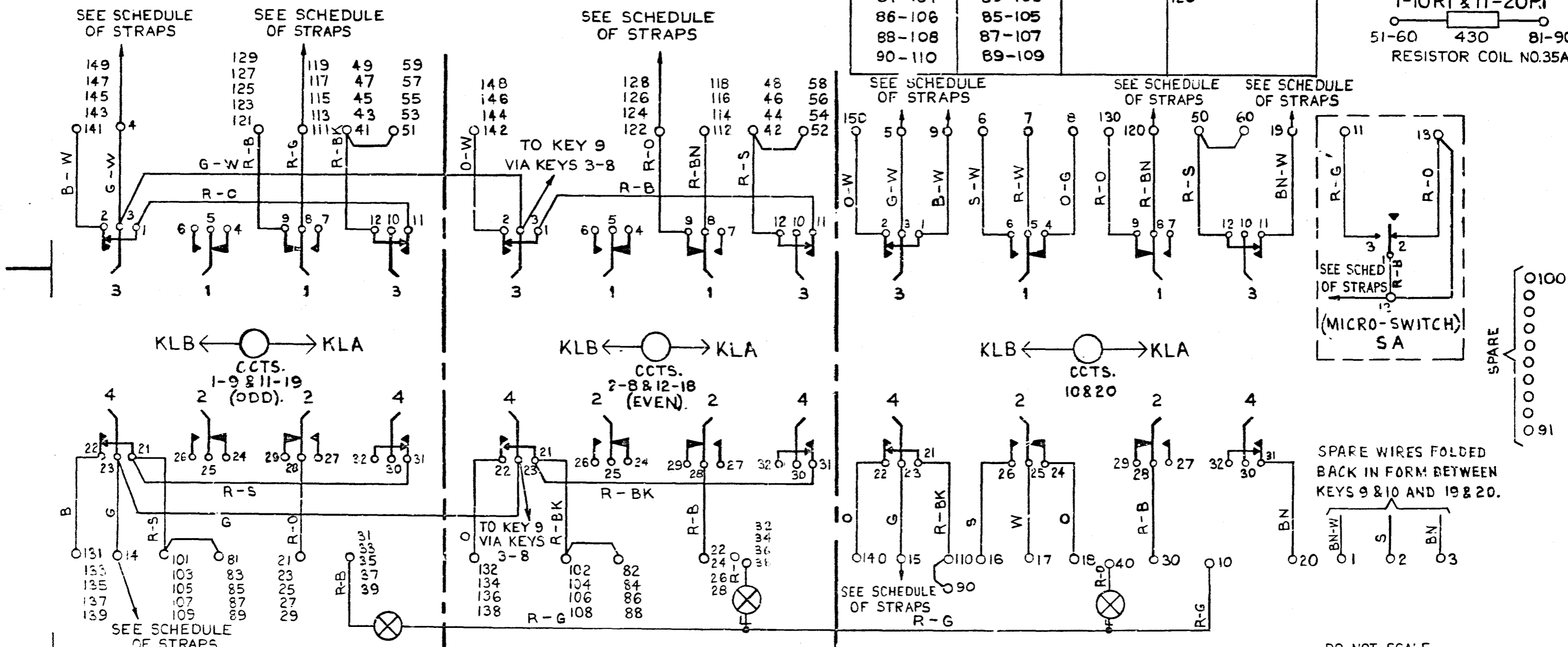
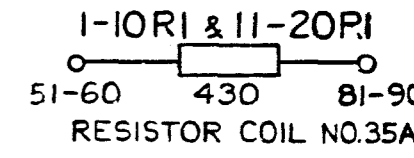
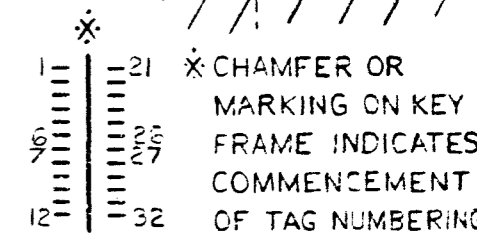


NOTES :-

- KEY & LAMP UNIT No. 2A HAS TEN CIRCUITS: WIRING AS SHOWN, STRAPS AS LISTED.
- KEY & LAMP UNIT No. 10A HAS TWO SETS OF TEN CIRCUITS. CCTS. 1-10 ON STRIP CONNEXION SET 'A'. CCTS. 11-20 ON STRIP CONNEXION SET 'B'. MICRO-SWITCH IS TERMINATED ON STRIP CONNEXION 'A' ONLY. STRAPS AS LISTED, ARE PROVIDED ON STRIP CONNEXION SETS 'A' & 'B'.

SCHEDULE OF STRAPS PROVIDED ON STRIP CONNEXION SET(S) (NOTES 1 & 2)			
INSULATED STRAPS			OTHER STRAPS
COL. R-BK	COL. R-S	---	
41-51	42-52	9-19 (B-W)	4-5
43-53	44-54		12-13
45-55	46-56	12-14 (R-B)	14-15
47-57	48-58		
49-59	50-60		111-112-113-114-115
82-102	81-101		116-117-118-119-
84-104	83-103		120
86-106	85-105		
88-108	87-107		
90-110	89-109		



A2 A3	DRN CKD H.C.W.S.	REFERENCE TO STRAPS ADDED TO CCT. <i>18-10-74</i>	F	MATERIAL	FINISH	REFERENCES SPEC. S754
	CERTIFICATION L.R.D.		E			
E-IN-C 4652	DATE 20.11.61.	REDRAFTED, NOTES AMENDED. <i>23-5-70</i>	D	KEY AND LAMP UNITS Nos. 2A AND 10A.		
		REDRAWN: SCHEDULE OF STRAPS ADDED. R.W.R. 23-7-69.	ISSUE	POST OFFICE TELECOMMUNICATIONS HQ. TD 7-2-3 SECTION		SA/SAW 9154

DO NOT SCALE