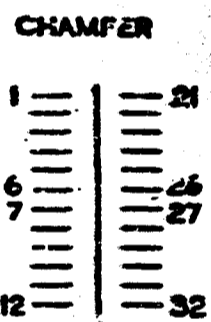


**NOTES:-**

- 1.1 IN ALL CASES WHERE PRIVATE CIRCUITS AND EXCHANGE LINES OR P B X EXTENSIONS ARE CONNECTED TO THE SAME KEY AND LAMP UNIT EXCHANGE PROHIBITION MUST BE PROVIDED UNLESS EXEMPTION HAS BEEN AUTHORISED
- 1.2 WHERE ONE PW ONLY IS PROVIDED, CCT 10 SHOULD BE USED WHERE POSSIBLE
- 1.3 REMOVE STRAPS TERML 4-5B14-15
- 1.4 CIRCUITS 8 AND 9 ARE TYPICAL ONLY MODIFICATIONS TO KEY AND LAMP UNIT

KEY 10 PROVIDE STRAP FROM TERML 6 TO SPG 3 KEY 9  
 PROVIDE STRAP FROM TERML 10 TO SPG 23 KEY 9  
 KEY 8-9 SHIFT 6-W (INCOMING FROM PREVIOUS KEY) FROM SPG 3 TO SPG 4  
 SHIFT 6 (INCOMING FROM PREVIOUS KEY) FROM SPG 23 TO SPG 24  
 PROVIDE STRAP FROM SPG 3 TO SPG 5  
 PROVIDE STRAP FROM SPG 23 TO SPG 25

1.5 TAGS ON BACK OF KEYSPRINGS NUMBER FROM THE CHAMFERED OR MARKED END OF THE KEY FRAME.



PAGE	ISSUE
1	D
2	A
3	A
4	A
5	B
6	B
7	A
8	A
9	A

FACILITY SCHEDULE			
TYPE OF CCT	SHEET	SIGNALLING	LIMIT AT 46V IN Ω
EXCHANGE PROHIBITION CCT 10	1 FIG.1	---	---
EXCHANGE PROHIBITION CCT 8-10 (TYPICAL)	1 FIG.2	---	---
PRIVATE CIRCUIT (CCT 10 SHOWN)	2	M/AC BOTHWAY	1000
PRIVATE CIRCUIT (CCT 10 SHOWN)	3	A/WIRE EARTH BOTHWAY	4000
THREE OR MORE PRIVATE CCTS	4	A/WIRE EARTH BOTHWAY	2800
PRIVATE CCT(S) (CCT 10 SHOWN)	5	M/DC BOTHWAY OR M/EARTH-LOOP I/C M/AC O/G	15000 1000
PRIVATE CIRCUIT (CCT 10 SHOWN) CB TELE TERMINATION	6	LOOP I/C AUTO A/C O/G	1250
LONG PBX EXTENSION (CCT 10 SHOWN)	7	M/AC I/C LOOP O/G	1000
INTER-KLU CIRCUIT	8	LCOP BOTHWAY	---
AUDIBLE ALARMS	9	---	---

**EXCHANGE PROHIBITION**

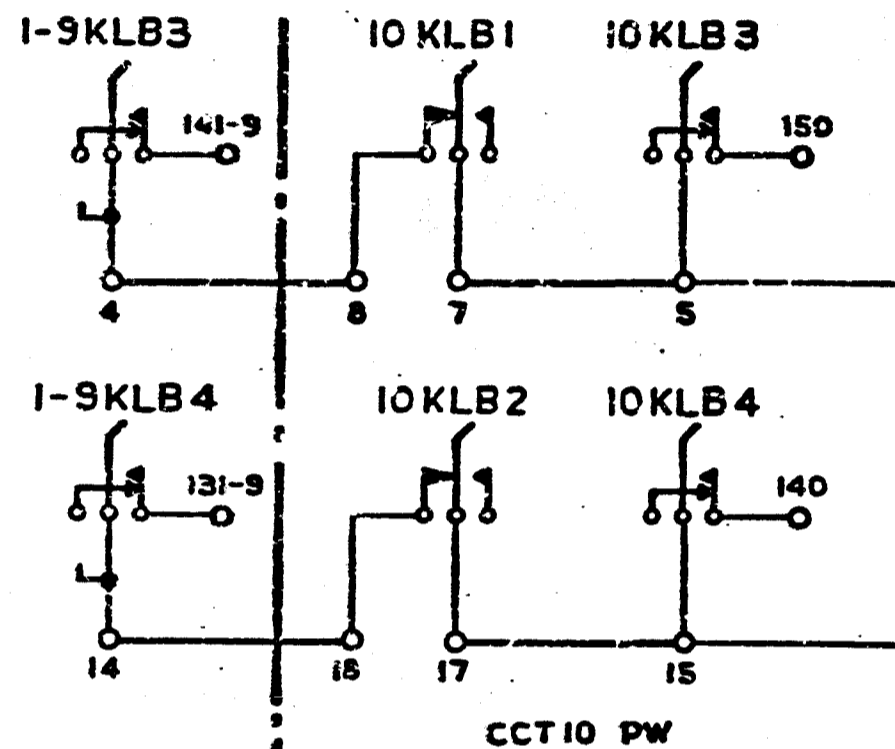
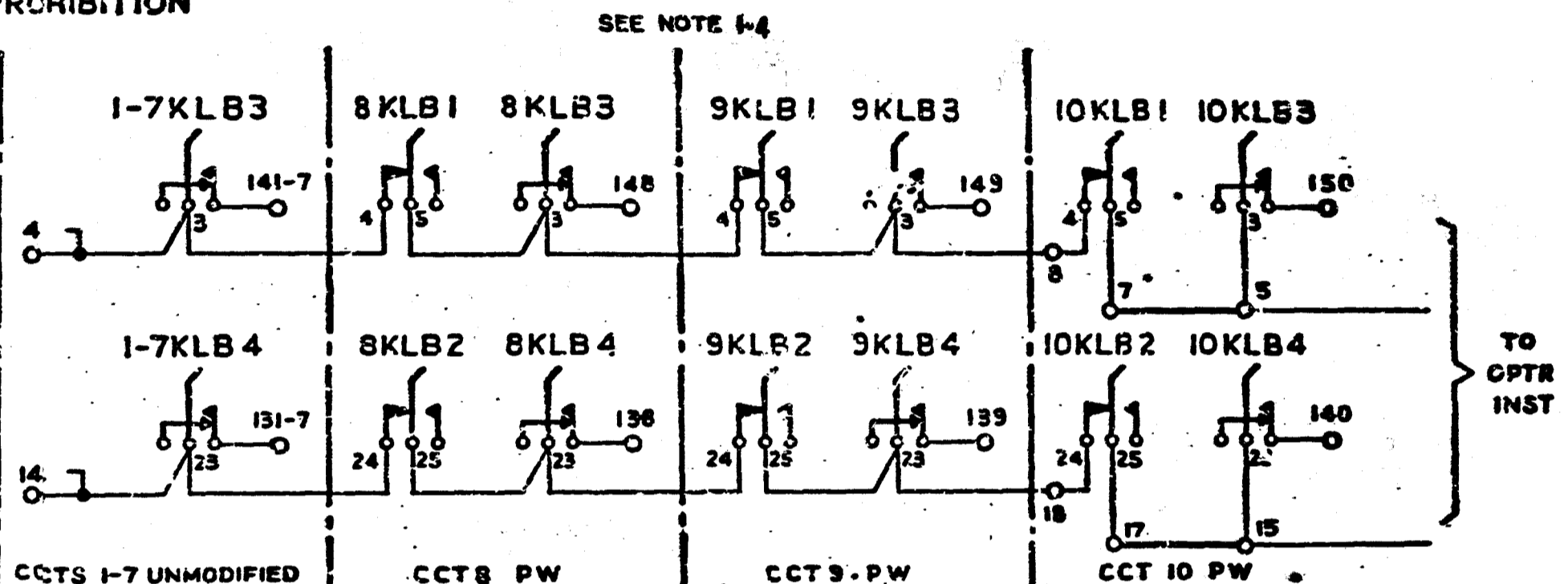


FIG. 1



SEE NOTE 1.4

SEE NOTES 1.1, 1.2 & 1.3

FIG. 2

SUGGESTED MOUNTING: MOUNTING D63807 WITH PARTS .../SPL/17  
 †ITEMS MARKED THUS HAVE THEIR EQUIVALENTS IN UAA SA9153

**APPARATUS SCHEDULE PER CIRCUIT (PROVIDED LOCALLY)**

ITEM	DESCRIPTION	NO. OFF PER SHEET								
		2	3	4	5	6	7	8	9	
C	CAPACITOR 2 μF AS SUITABLE	2	2		2†	2	2	2		
CRA	COIL, RETARDATION No. 3449					1	1			
CRB	COIL, RETARDATION No. 3490						1			
1A	COIL, RETARDATION No. 3459		1							
AP	RELAY No. 12958		1							
LA	RELAY No. 5207		1							
LB	RELAY No. 15102				1†					
LC	RELAY No. 15105					1				
LL	RELAY No. 12958				1†					
F	RELAY No. 12958					1				
FA	RELAY No. 7632		1	1	1	1				
AA	RELAY No. 3075					1				
NA	RELAY No. 7057					1				
AB	RELAY No. 8247						1			
BB	RELAY No. 8247						1			
C	RELAY No. 3845						1			
NAA	RELAY No. 3162							1		
R1	RESISTOR, CARBON No. 15 GD 300Ω				2					
R2	RESISTOR, CARBON No. 15 GD 7.5kΩ					1				
P3	RESISTOR, COIL No. 36 470Ω									
R4	RESISTOR, COIL No. 35A 620Ω						2			
P5	RESISTOR, CARBON No. 15DD 300Ω					1				
MRI	RECTIFIER-ELEMENT No. 1/GAZ				1†					

ITEM	DESCRIPTION	NO. OFF PER SHEET								
		2	3	4	5	6	7	8	9	
MR6	RECTIFIER-ELEMENT No. 4/2A7									1
	RINGING SUPPLY 17-25~					1				
	UNIT, AUX APPARATUS SA9151 OR SA9152	1/5							1/5	
	UNIT, AUX APPARATUS SA9153			(1/5)	(1/5)†					
MR2-5	VALVE, ELECTRONIC CV 8308				2	2				

POST OFFICE

A1 A2	LDN J & H
	GROUP C2 CERTIFICATION E.M.T
DATE	28-7-64

**UNDER AMENDMENT**

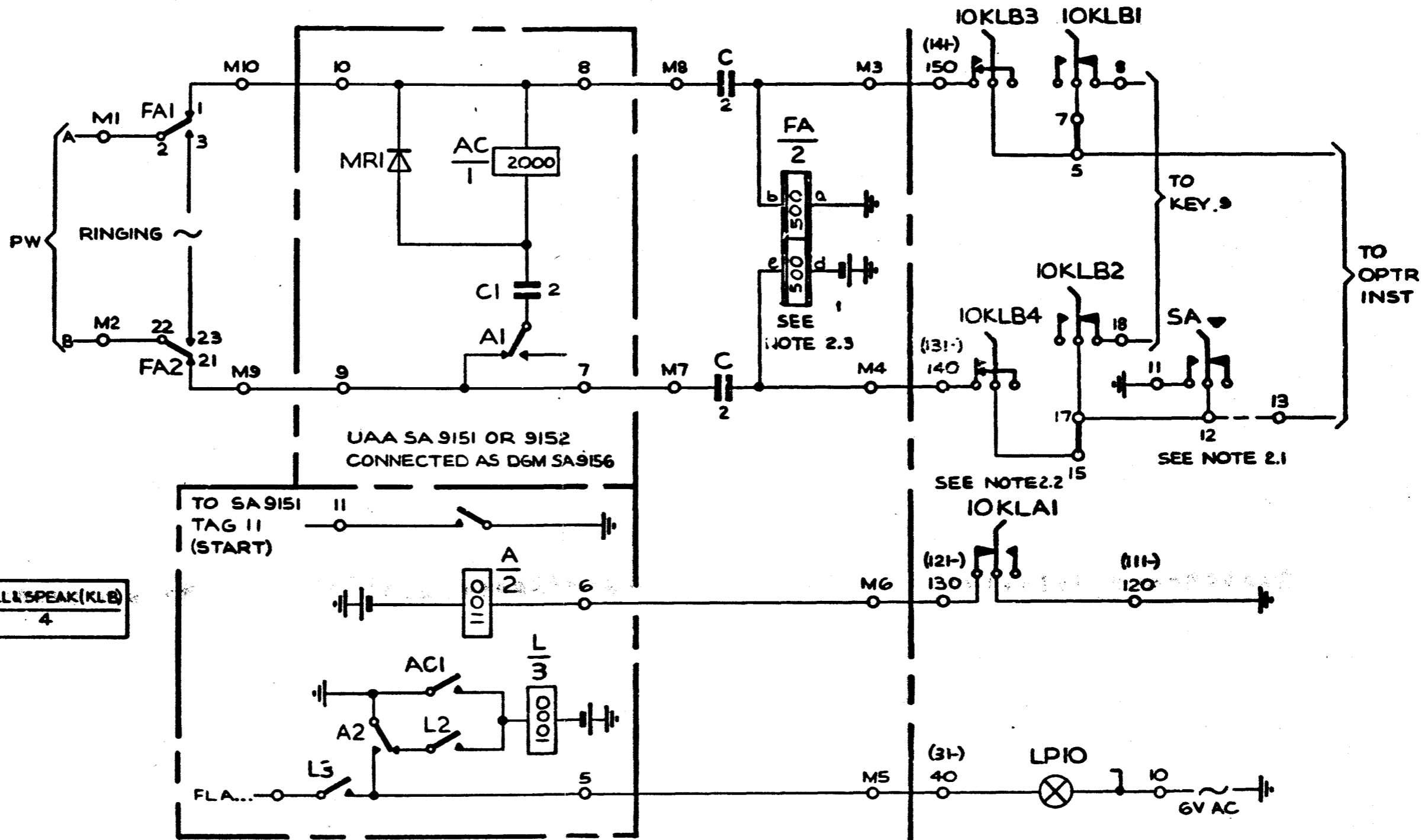
NOTE 1.4 ADDED. B.P.P. B.D.T. J.A.P. 5-12-73	B
RE-FORMED & UPDATED. FACILITY SCHEDULE WAS NOTE 1. NOTES 1.4-1.8 DELETED. NOTES REARRANGED. MINOR AMENDMENTS. P. 257 (G.W.)	A
SUFFIX TABLE ADDED 2/1/74 5-2-76	D
MINOR AMENDMENTS. 20-2-74	C
AMENDMENTS	ISSUE

ORDER TABLE WORKING WITH KEY AND LAMP UNIT No. 2A SPECIAL APPLICATIONS	REFERENCES SEE SCHEDULE DRG SA 9153 DRG SPL/17
POST OFFICE TELECOMMUNICATIONS HEADQUARTERS TD 7-2-2	SA 9157 SHEET 1-9

PRIVATE CIRCUIT TERMINATION M/AC B/W SIGNALLING

NOTES:-

- 21 STRAP 12-13 FOR EARTH-LOOP RECALL
- 22 KLA NORMALLY OPERATED
- 23 FA IS DIFFERENTIALLY CONNECTED



REC CALL (KLA)	HOLD (NORMAL)	CALL & SPEAK (KLB)
4	+	4

RING & RECALL (SA)
1

MISC. EQUIPMENT

KEY & LAMP UNIT NO. 2A (MODIFIED)

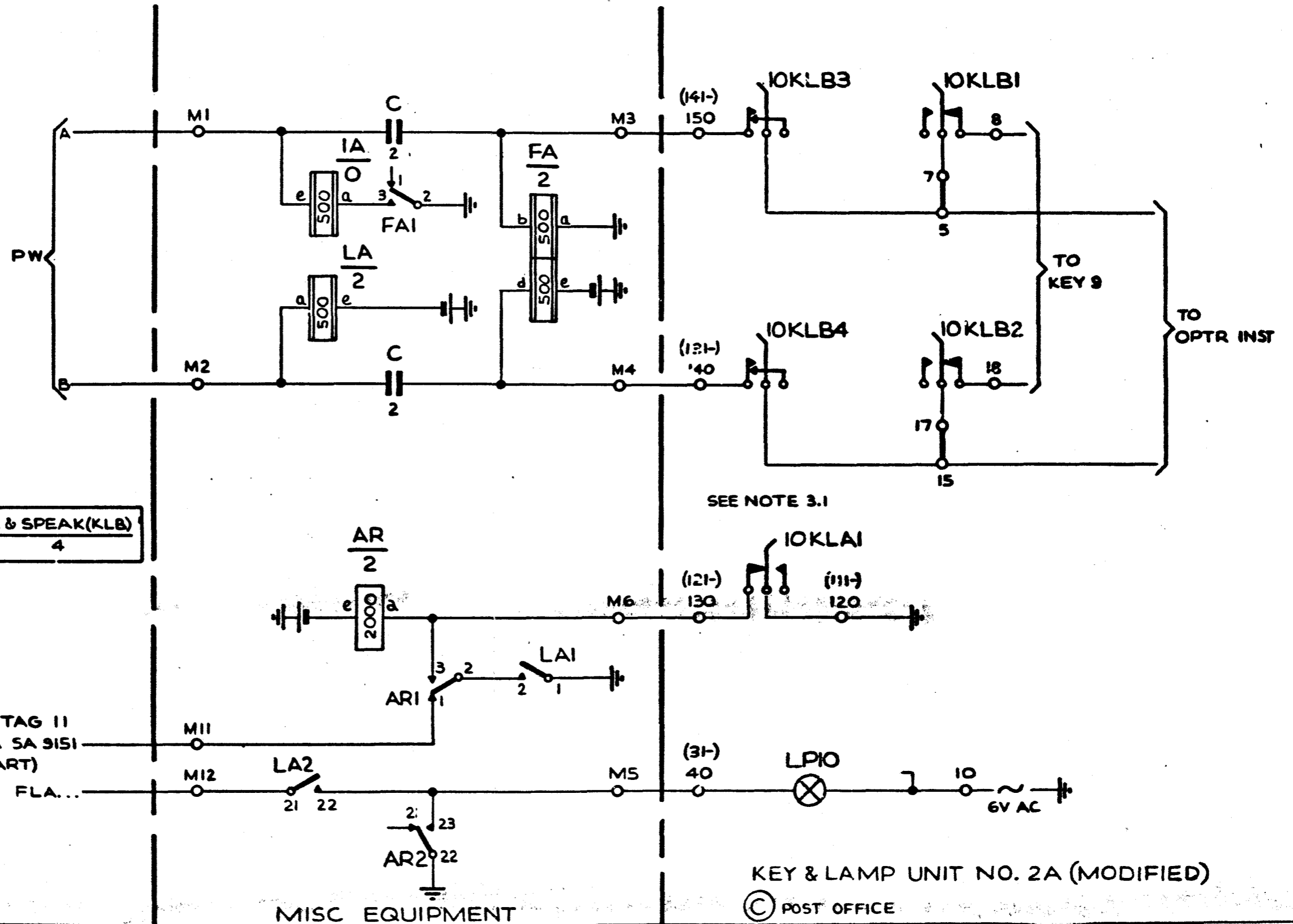
© PGST OFFICE

A2 A3	GROUP C2	REDRAWN & UPDATED - MINOR AMENDMENTS. A3 257 (GW)	A	ORDER TABLE WORKING WITH KEY & LAMP UNIT NO.2A SPECIAL APPLICATIONS	REFERENCES SEE SCHEDULE DGM SA9156 ON SHEET 1
	CERTIFICATION E.M.T.				
THQ DATE 28-7-64		5-6-72	ISSUE	POST OFFICE TELECOMMUNICATIONS HQ TD 2.5.2 SECTION	SA 9157 SHEET 2

PRIVATE CIRCUIT TERMINATION A WIRE/EARTH BOTHWAY SIGNALLING

NOTES:-

3.1 KLA NORMALLY OPERATED



A2	DRN OKD GROUP C2
A3	CERTIFICATION E.M.T
THQ 4652	DATE 28-7-64

REDRAWN & UPDATED. CONNEXIONS TO M3 & M4 FROM FA REVERSED. MINOR AMENDMENTS. A. J. 237 (Gw) 5-6-72 AMENDMENT	A
ISSUE	

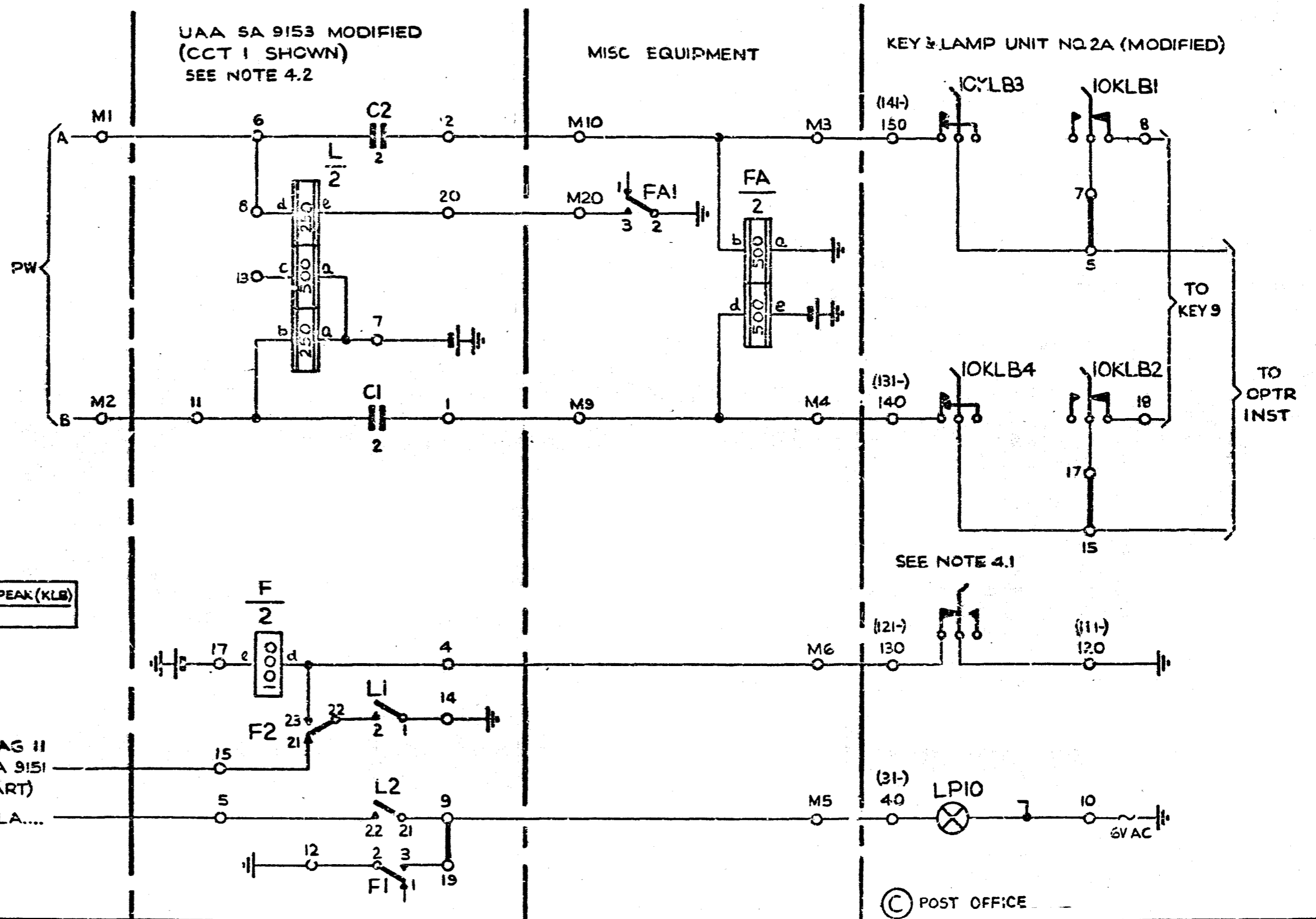
ORDER TABLE WORKING WITH KEY & LAMP UNIT NO.2A SPECIAL APPLICATIONS REFERENCES SEE SCHEDULE ON SHEET 1
POST OFFICE TELECOMMUNICATIONS HQTD 25.2 SECTION SA 9157 SHEET 3

NOTES:—

3 OR MORE PRIVATE CIRCUIT TERMINATIONS A WIRE/EARTH BOTHWAY SIGNALLING

4.1 KLA NORMALLY OPERATED.

4.2 DISCONNECT R-BK FROM F21, S FROM F22, BUNCH AND INSULATE DISCONNECT B FROM F1, JOIN THROUGH AND INSULATE. SHIFT R-B FROM F23 TO F21. PROVIDE STRAP FROM F23 TO Fa, PROVIDE STRAP FROM F22 TO L2.



REC CALL (KLA)	HOLD (NORMAL)	CALL & SPEAK (KLB)
4	4	4



TO TAG II  
UAA SA 9151  
(START)  
FLA....

© POST OFFICE

A2 A3	DRN P.A.H CKD GROUP C2	REDRAWN & UPDATED. CONNEXIONS TO M3 & M4 FROM FA REVERSED. MINOR AMENDMENTS. A.J. 237 (Gw) 5-6-72	A	ORDER TABLE WORKING WITH KEY & LAMP UNIT NO.2A SPECIAL APPLICATIONS	REFERENCES SEE SCHEDULE ON SHEET 1
	CERTIFICATION E.M.T.				
THQ 4652	DATE 28.7.64	AMENDMENT	ISSUE	POST OFFICE TELECOMMUNICATIONS HQ TD.2.3.2. SECTION	SA 9157 SHEET 4

PRIVATE CIRCUIT TERMINATION M/BB BOTHWAY OR M/EARTH-LOOP I/C M/AC O/G SIGNALLING

NOTES:-

- 51 FOR EARTH-LOOP RECALL STRAP 12-13
- 52 IN CASES OF POOR TRANSMISSION, PROVIDE MR 2&3 IN PLACE OF STRAPS 6-20, 7-8 SEE SPEC S(W)2090
- 53 MODIFICATIONS TO K & LU KEYS 8-9 DISCONNECT R-BK(CDD) OR R-5(EVEN) PW FROM SP621, JOIN THROUGH & INSULATE. STRAP SP68 TO 32. FOR 3 OR MORE PW'S MODIFY UAA 9153 AS FOLLOWS :-  
DISCONNECT B PR FROM F1, JOIN THROUGH & INSULATE. DISCONNECT R-BK PR FROM F21 JOIN THROUGH & EXTEND TO TAG 16 (36, 56, 76, 96)

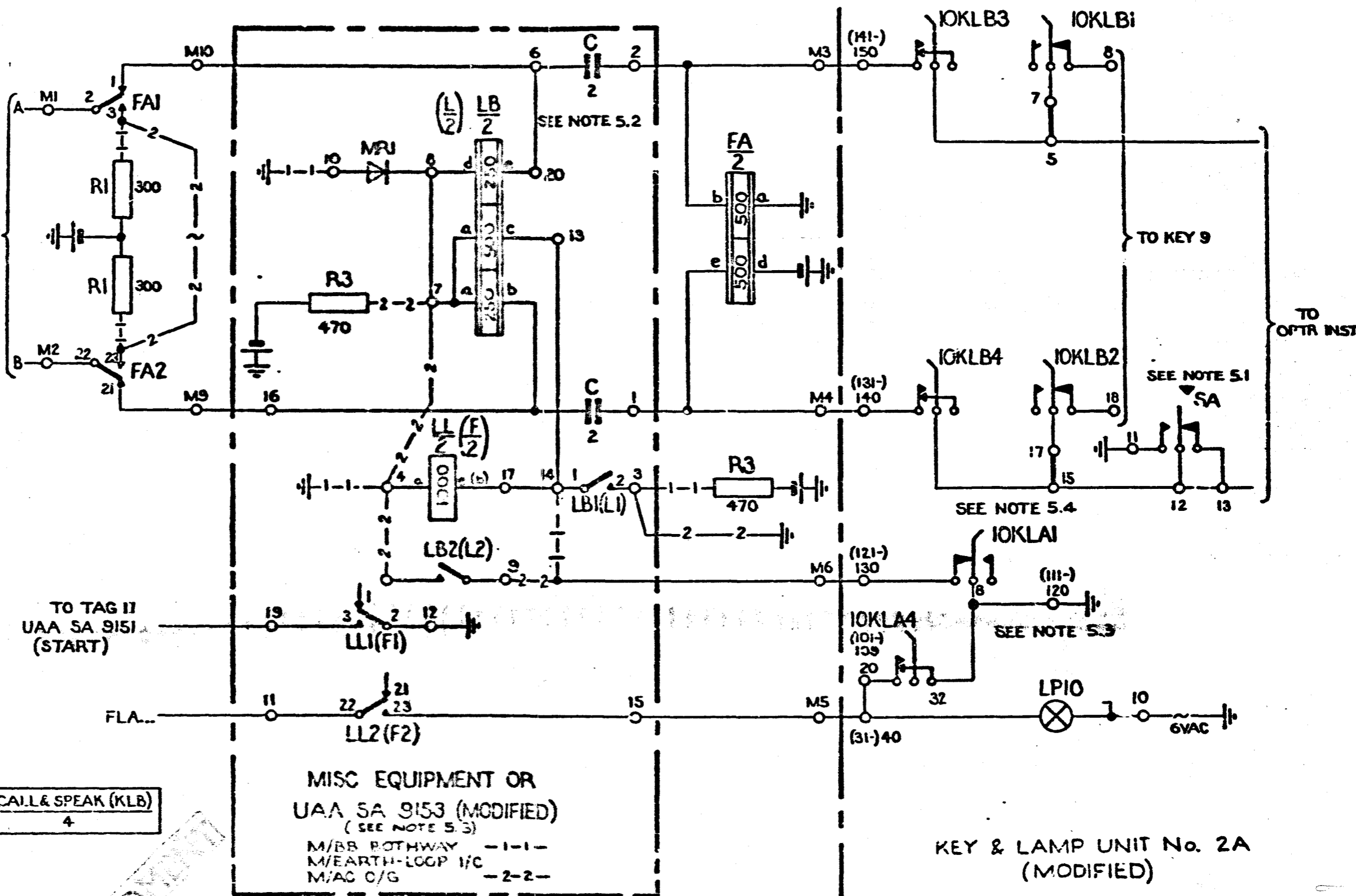
54 KLA NORMALLY OPERATED

10KLA2 10KLA3



RING + RECALL (SA)  
1

REC CALL (KLA) + HOLD (NORMAL) + CALL & SPEAK (KLB)  
4



MISC EQUIPMENT OR  
UAA SA 9153 (MODIFIED)  
(SEE NOTE 5.3)  
M/BB BOTHWAY - 1-1-  
M/EARTH-LOOP I/C - 2-2-  
M/AC O/G - 2-2-

KEY & LAMP UNIT No. 2A  
(MODIFIED)

© POST OFFICE

A2	DRN GROUP C2	REDRAWN & UPDATED. NOTES 5-1 TO 5-4 ADDED. MINOR AMENDMENTS SK TSF (GW) 5-6-72 SEE SUPERSEDED DRG FOR PREVIOUS AMENDMENT	B	ORDER TABLE WORKING WITH KEY & LAMP UNIT No. 2A SPECIAL APPLICATIONS	REFERENCES SEE SCHEDULE ON SHEET 1
	A3				
THQ 4552	DATE 28-7-64	AMENDMENT	ISSUE	POST OFFICE TELECOMMUNICATIONS HQ TD.2.5.2 SECTION	SA 9157 SHEET 5

UNDER AMENDMENT

PRIVATE CIRCUIT TERMINATION LOOP I/C AUTO/AC O/G SIGNALLING

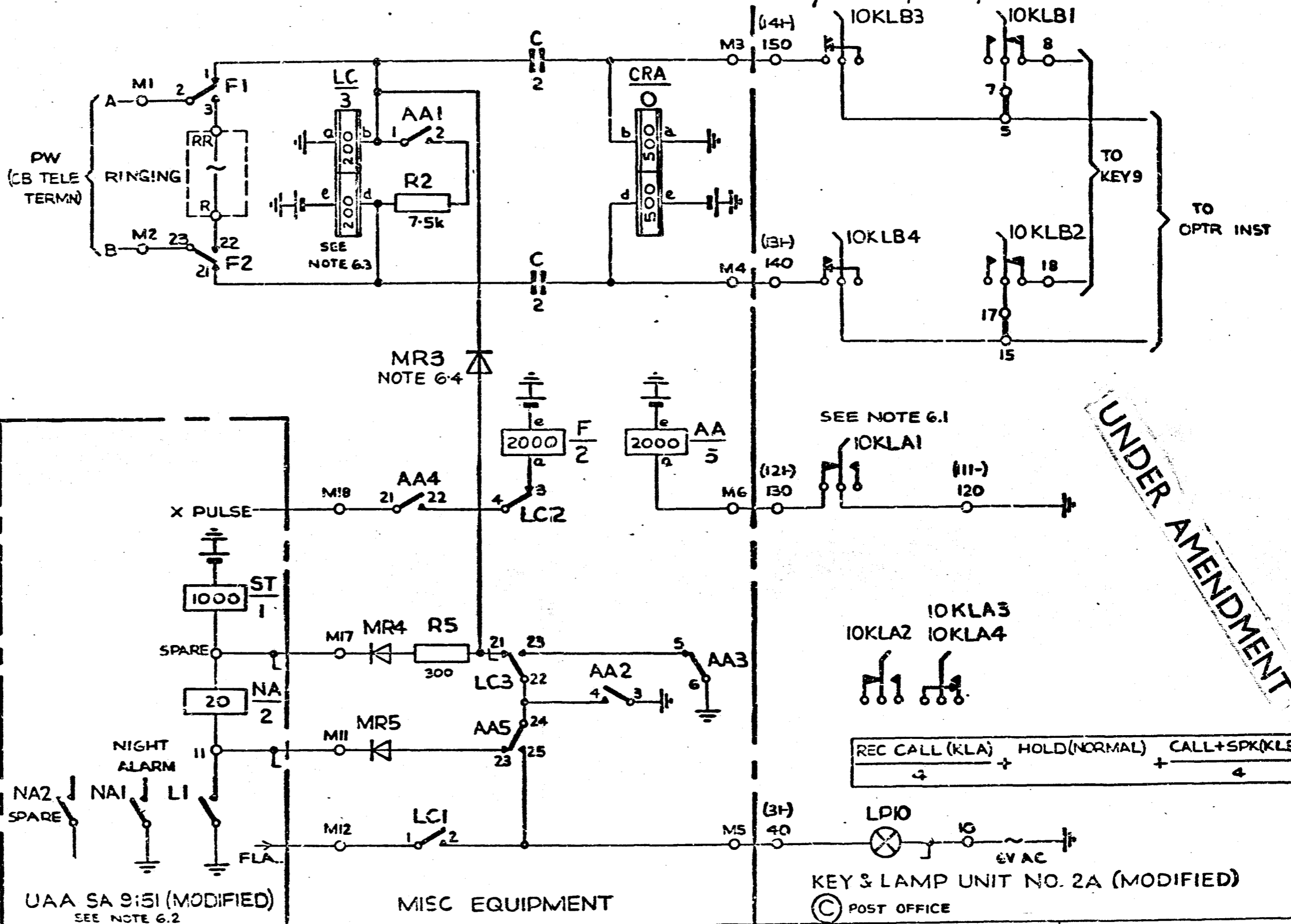
NOTES:—

6.1 KLA NORMALLY OPERATED.

6.2 MODIFICATIONS TO UAA 9:51 FOR NIGHT ALARM SHIFT R-O (FROM STa) FROM TAG II TO SPARE TAG. RELAY NA CAN BE FITTED IN SPARE DRILLING IN UAA IF THIS IS NOT REQUIRED FOR FLB.

6.3 LC WILL NOT OPERATE TO 7.5K LOOP WHEN AA OPERATES ON O/G CALL, BUT WILL REMAIN HELD WHEN DISTANT END CLEARS.

6.4 CONNECT MR3 BETWEEN LCb AND LC2i. MR3 PREVENTS FALSE PING TRIP DUE TO LC FLICKING ON O/G CALLS.



UNDER AMENDMENT

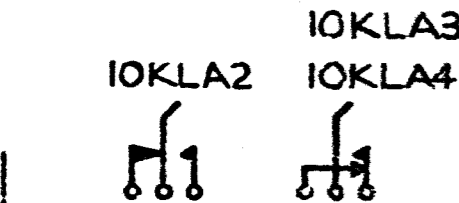
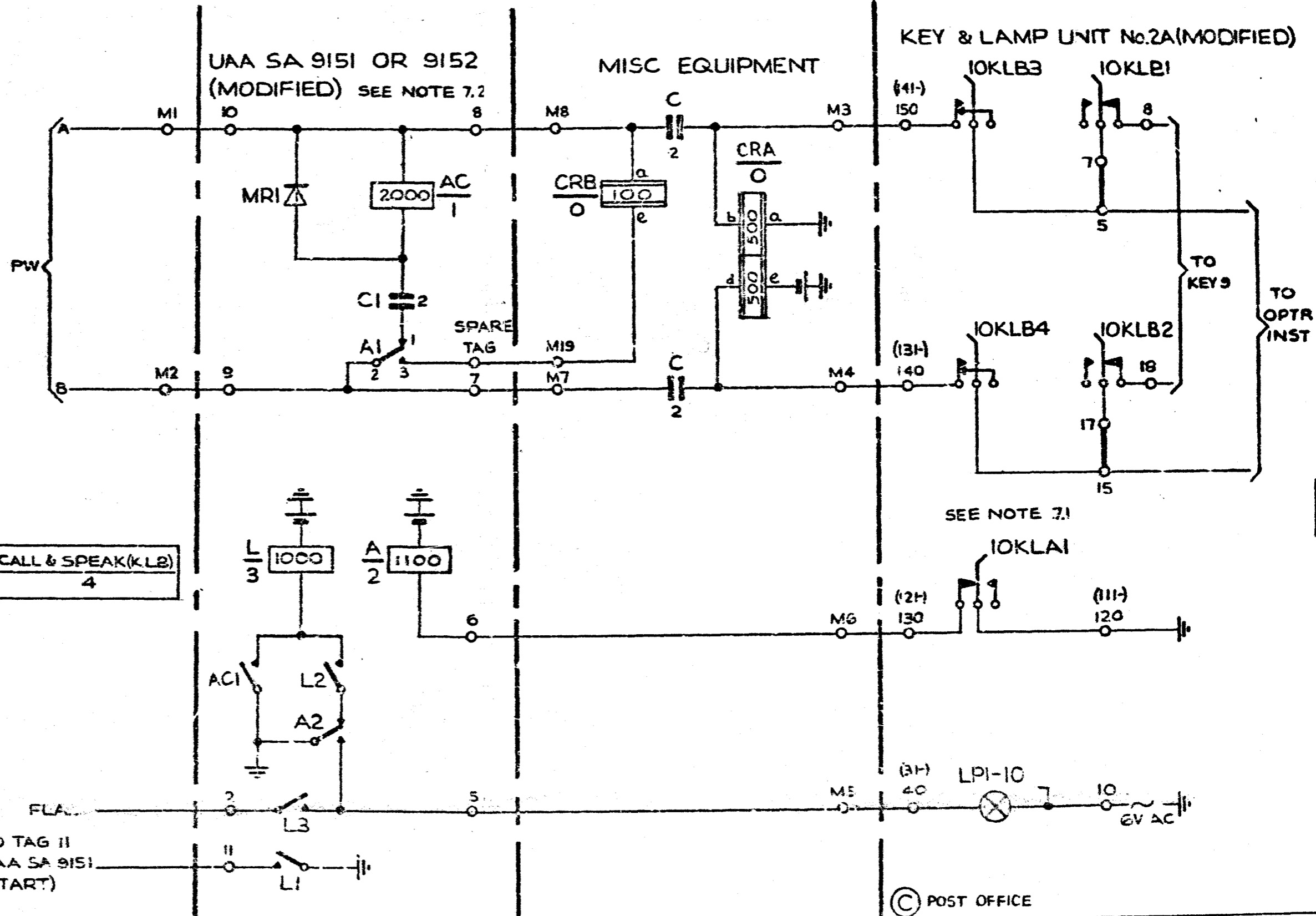
A2	DRN CKD GROUP C2	MR3 ADDED. MINOR AMENDMENTS. <i>R/c</i> 5-2-76	B	ORDER TABLE WORKING WITH KEY & LAMP UNIT NO. 2A SPECIAL APPLICATIONS	REFERENCES SEE SCHEDULE ON SHEET 1
	A3				
THQ 4.52	DATE 28-7-64	AMENDMENT	ISSUE	POST OFFICE TELECOMMUNICATIONS HQ TD 7-2-2 SECT'N	SA 9157 SHEET 6

# LONG PBX EXTENSION M/AC 1/C, LOOP O/G SIGNALLING

## NOTES:-

ZIKLA NORMALLY OPERATED

Z2 MODIFICATIONS TO UAA 9152 OR 9151 REVERSE 'B' PAIR (ODD) OR 'O' PAIR (EVEN) ON A1 WITH R-BK ON A2 PROVIDE STRAP A3- SPARE TAG



REC CALL (KLA)	HOLD (NORMAL)	CALL & SPEAK (KLB)
4	4	4

A2	DFN CKD GROUP C2	REDRAWN & UPDATED. CONNEXION TO M3 & M4 FROM FA REVERSED MINOR AMENDMENTS A.D. 28.7.64	AA	ORDER TABLE WORKING WITH KEY & LAMP UNIT NO.2A SPECIAL APPLICATIONS	REFERENCES SEE SCHEDULE ON SHEET 1
	A3				
THQ 4652	DATE 28.7.64	AMENDMENT 5-6-72	ISSUE	POST OFFICE TELECOMMUNICATIONS HQ TD 2.52 SECTION	SA 9157 SHEET 7

INTER-KEY & LAMP UNIT CIRCUIT

NOTES:-

8.1 KLA NORMALLY OPERATED

- 50 v BATT M 21 (BLK)  
+ " EARTH M 1 (R)

TO OPTR INST VIA KEYS

SEE NOTE 8.1

KLAI

TO OPTR INST VIA KEYS

SEE NOTE 8.1  
KLAI

KEY & LAMP UNIT No.2A  
AS DGM SA 9156  
(EXPLANATORY)

TO TAG II (START)

U A A SA 9151

KEY & LAMP UNIT No.2A  
AS DGM SA 9156  
(EXPLANATORY)

MISC EQUIPMENT

© POST OFFICE

A2	DRN CKD GROUP C2	REDRAWN AND UPDATED CONNEXIONS FROM M3 & M4 TO BB & M13 & M14 TO AB REVERSED. MINOR AMENDMENTS SK. 227 (GW) 5-6-72	A	ORDER TABLE WORKING WITH KEY & LAMP UNIT No.2A SPECIAL APPLICATIONS	REFERENCES SEE SCHEDULE ON SHEET 1	DGM SA9156
	A3				CERTIFICATION EMT	
THQ 4552	DATE 28-7-62	AMENDMENT	ISSUE	POST OFFICE TELECOMMUNICATIONS HQ TD.2.5.2 SECTION	SA 9157 SHEET 8	



### AUDIBLE ALARMS

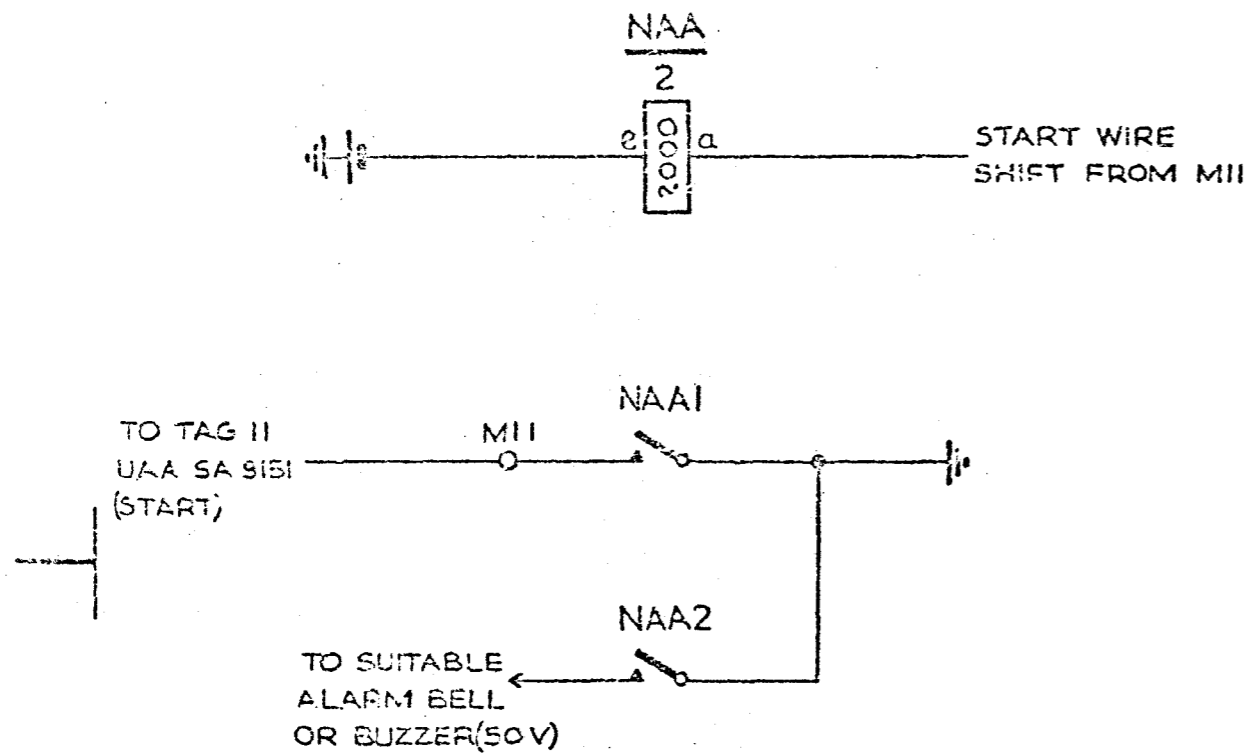


FIG. 1 AUDIBLE ALARM FOR SINGLE CIRCUIT

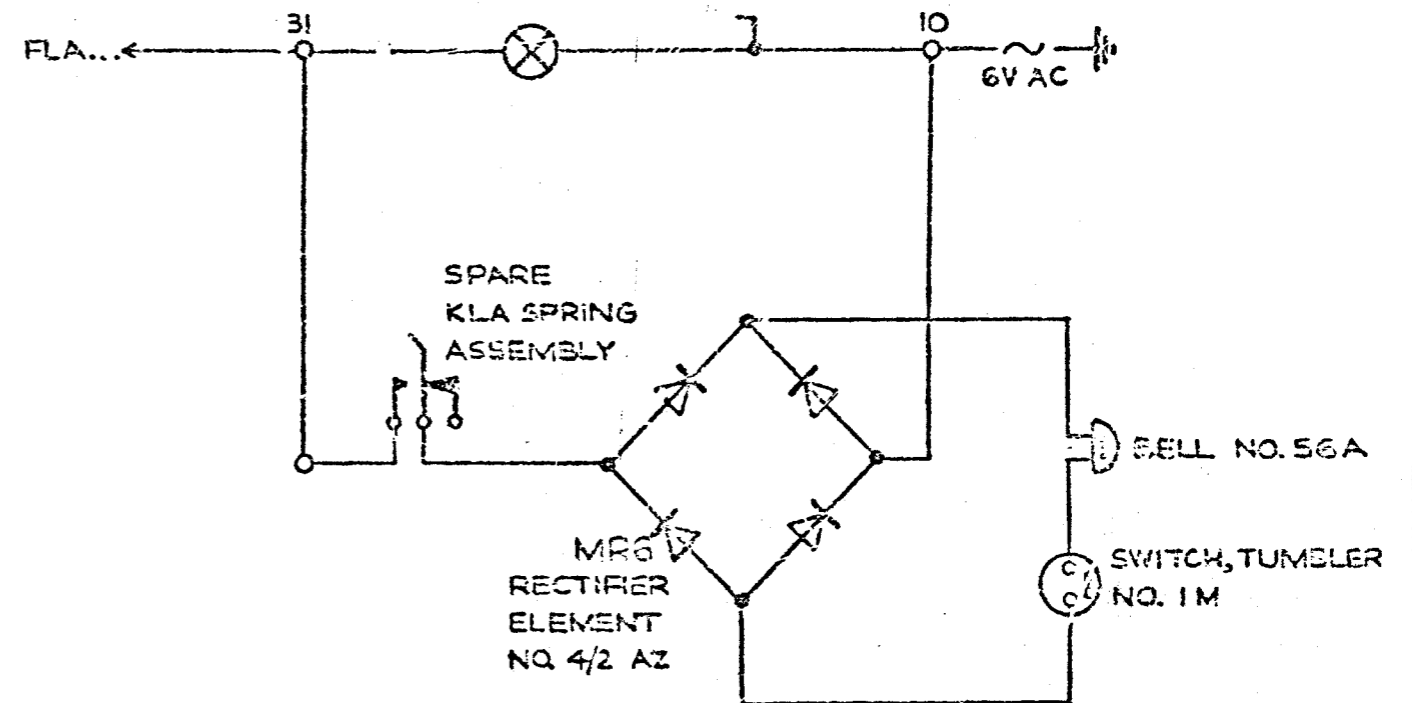


FIG. 2 AUDIBLE ALARM FOR SINGLE CCT ON ONE KEY & LAMP UNIT IN A GROUP

© POST OFFICE

A2	DRN J A H CKD GROUP C2					ORDER TABLE WORKING WITH KEY & LAMP UNIT No.2A SPECIAL APPLICATIONS	REFERENCES SPE SCHEDULE ON SHEET 1
A3	CERTIFICATION E.M.T						
THO 4452	DATE 28.7.64		REDRAWN AND UPDATED. MINOR AMENDMENTS A.D. 27/6/64	5-6-72	A	POST OFFICE TELECOMMUNICATIONS HQ TD.2.5.2 SECTION	SA 9157 SHEET 9
			AMENDMENT		ISSUE		