

NOTES:-

- CONNECT 'A' LINE TO T16 AND 'B' LINE TO T9
- TO FIT DIAL, REMOVE LINK STRAP T11 - T12. CONNECT D1 - T7
D2 - T1
D3 - T3
D4 - T10
D5 - T8
- CONNECT REGULATOR NO. 28 TO TERMINALS T11 AND T17. CHECK STRAPS T10 - T11. T3 - T14 - T13 - T17 EXIST. THE REGULATOR IS SELF SUPPORTING ON ITS SPADE TERMINALS.

- 4 LINK STRAPS PROVIDED, T5 - T6
T6 - T7
T8 - T9
T10 - T11
T11 - T12
T13 - T14
T16 - T19
- WIRE STRAPS PROVIDED, T2 - T6
T3 - T14
T9 - T12
T13 - T17
T19 - T20

COMPONENT SCHEDULE	
CIRCUIT CODE	DESCRIPTION
JKA	JACK NO. 54A
LK1	LINK PARTS 2/DL1/20
MR2	RECTIFIER ELEMENT NO. 203
PCB	TELEPHONE UNIT NO D93039
LK2	WIRE LINK 3/93290
LK3	WIRE LINK 2/93290
LK4	WIRE LINK 4/93290

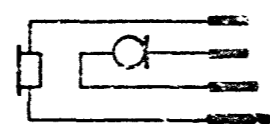


FIG. 2
HEADSET NO. 1
(EXPLANATORY ONLY)

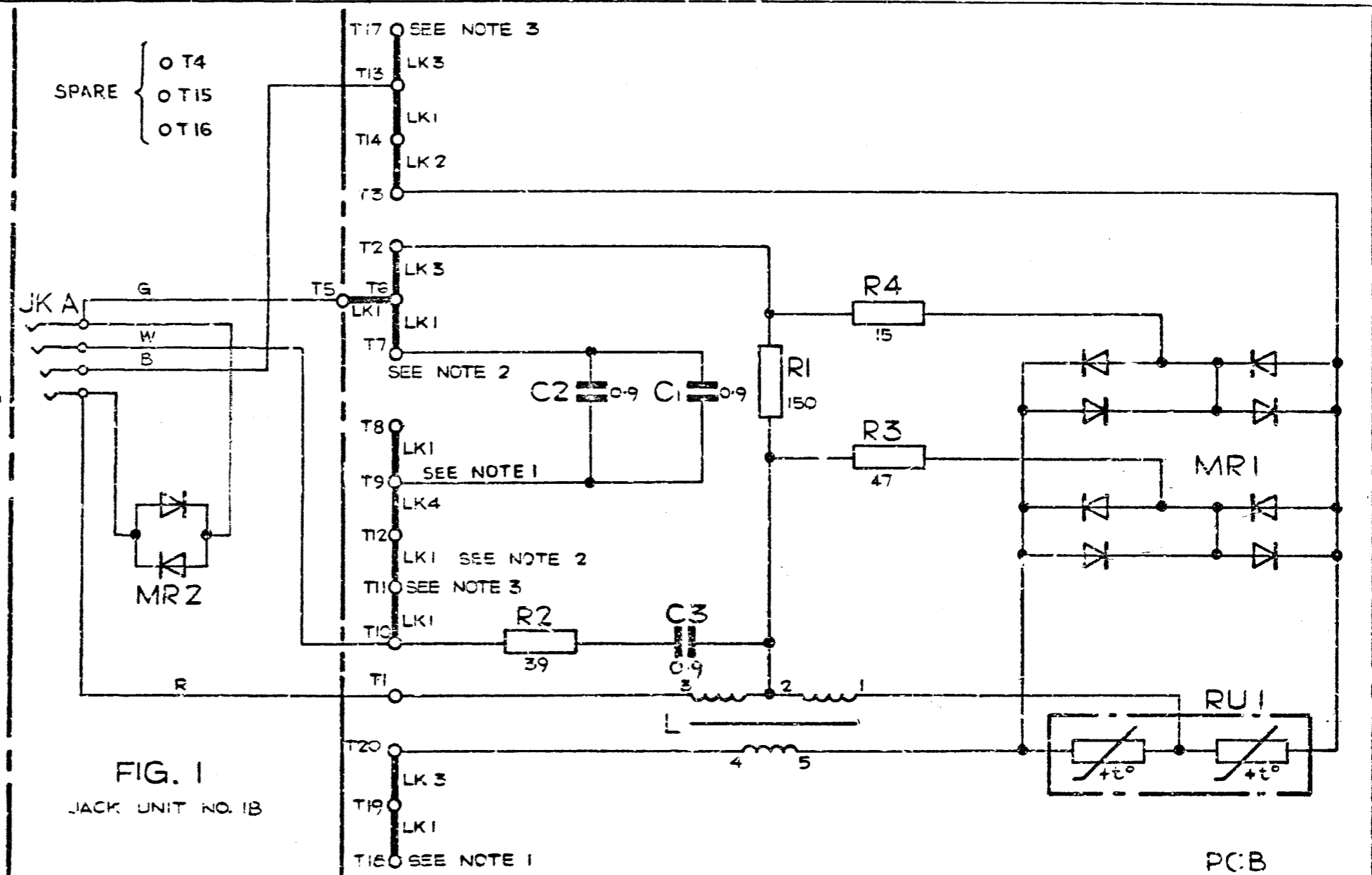
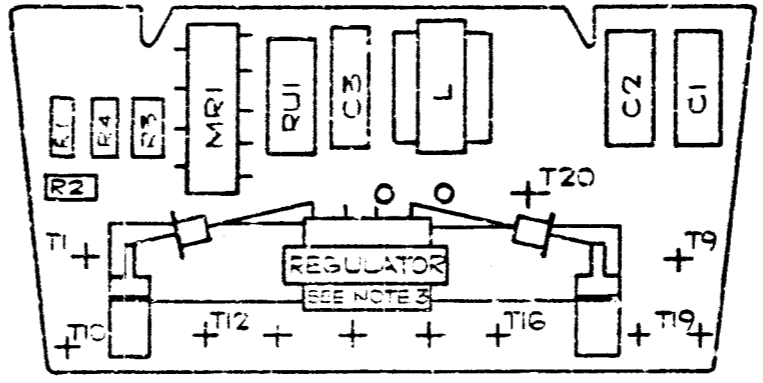


FIG. 1
JACK UNIT NO. 1B



PCB COMPONENT LAYOUT (NOTE 4)

A2	DRN 4V	REFERENCES
	CKD 253 (GW)	
A3	CERTIFICATION	JACK - UNIT No. 1B
	<i>[Signature]</i>	
THQ 4552	DATE 25.1.73	AMENDMENT
ISSUE		POST OFFICE TELECOMMUNICATIONS HQ TD 2.5.3 SECTION
		SA/SAW 9228