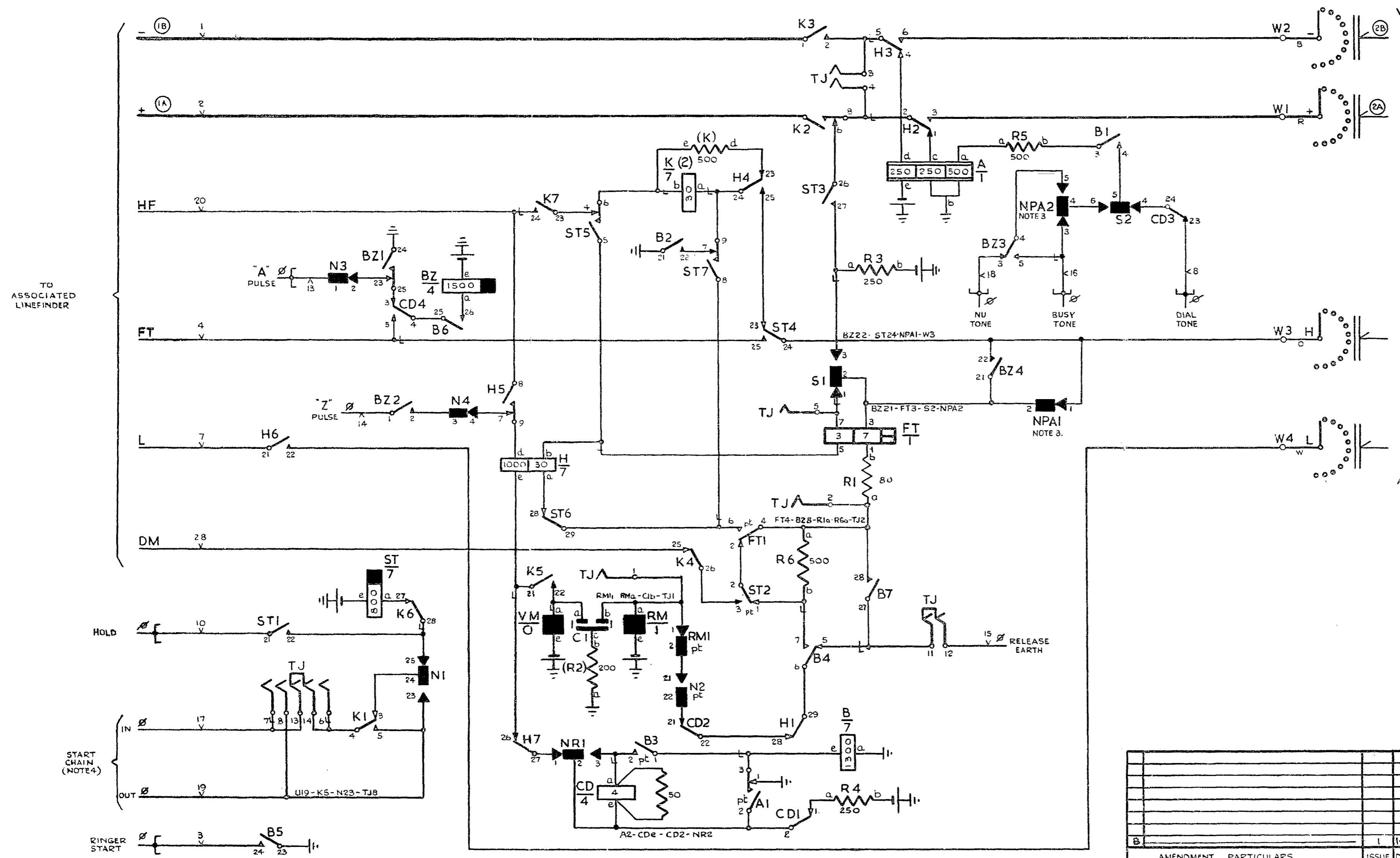


- NOTES**
1. FUSE 1-5A. PER SELECTOR
  2. SHELF JACK POINTS U17- U19 MAKE CONTACT WHEN SELECTOR IS REMOVED.
  3. NORMAL POST SPRINGS OPERATE ON LEVEL 9.
  4. Ø FOR WIRING SEE RELEVANT RACK COMMON SERVICES DIAGRAM



TO RELAY SETS AND NEXT SELECTORS

ETH. ETH. BAR 20 S.W.G. R (A) U11  
 BATT. FUSE 20 S.W.G. BK (B) U12  
 BATT. WHITE - U12 - BZC - STE - Ae - VMe - RMe - R3b - R4b.  
 ETH. RED - U11 - BZ24 - BZ1 - BZ3 - Ba - Ab - A1 - R2a.



N	NR	S	NPA	TJ
4	1	2	2	14

<input type="checkbox"/> SLOW RELEASE	<input checked="" type="checkbox"/> SLOW OPERATE
---------------------------------------	--

**1<sup>ST</sup> GROUP SELECTOR FOR P.A.B.X. NO 3.**

AMENDMENT	PARTICULARS	ISSUE DATE	APP
		1-10-52	CK.c
G.P.O. APPROVED AS STANDARD		6-9-52	
AT2EC9LP	662RCD5	APPROVED	DRN
LIVERPOOL	W.L.B.	H.E.H.	CHK
WIRING		CIRCUIT	

REF. S. 332 SOV W  
 SAW 81520