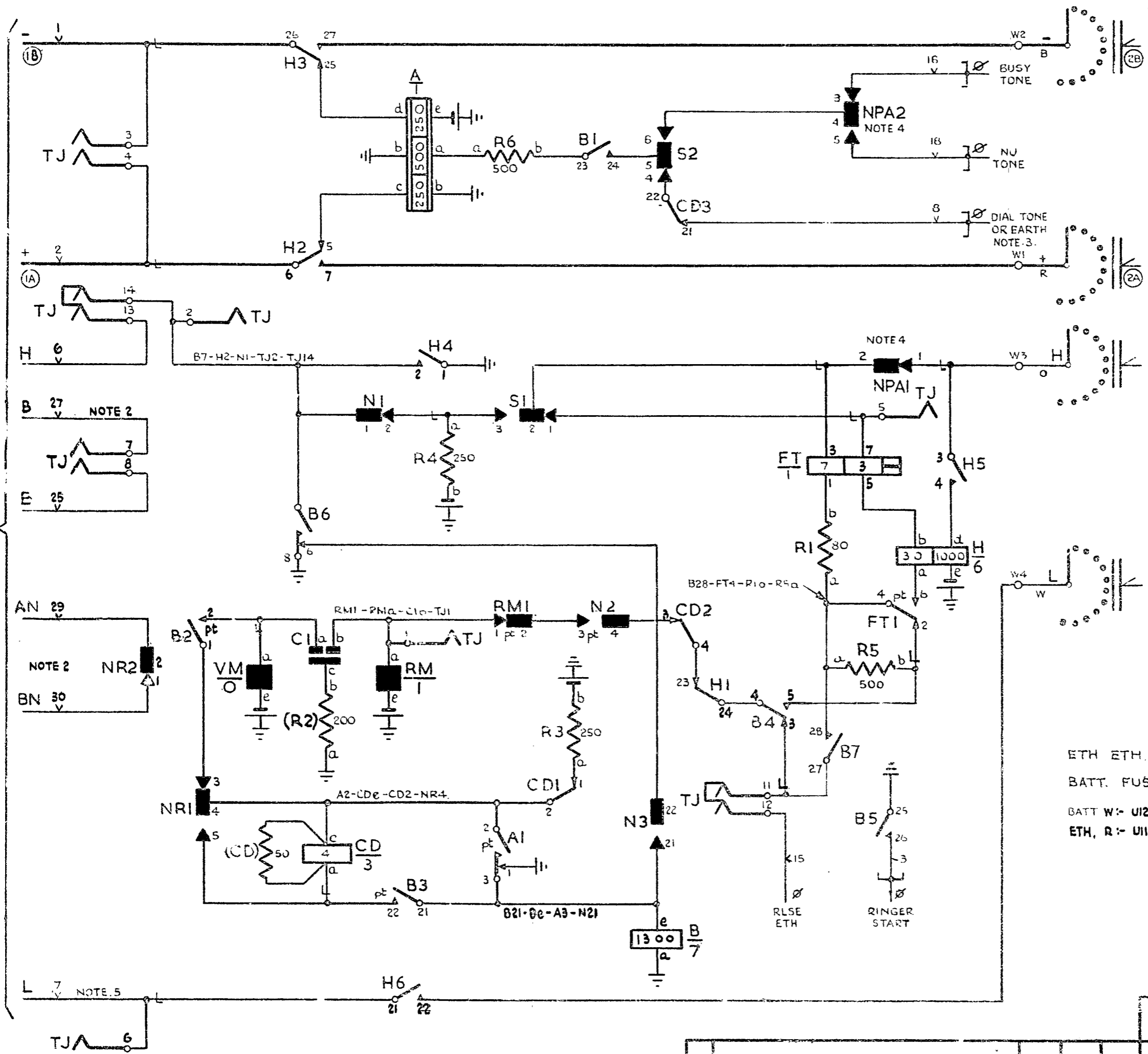
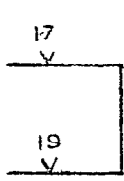


TO ENQUIRY FINDER CIRCUIT, INTER-SW 8D RELAY SET OR PREVIOUS SELECTOR



- NOTES.**
- 1 FUSE 1.5A PER SELECTOR
 - 2 CONNEXION TO U POINTS 29, 30 27 25 ARE ONLY REQUIRED WHEN USED AS AN ENQUIRY SELECTOR
 - 3 WHEN USED AS AN INCOMING OR 2ND GROUP SELECTOR U POINT 8 IS CONNECTED TO EARTH.
 - 4 NORMAL POST SPRINGS ARE ADJUSTED TO OPERATE ON ALL BARRED LEVELS FOR INCOMING SATELLITE & ENQUIRY SELECTORS WHERE APPROPRIATE
 - 5 CONNEXION TO U7 IS ONLY REQUIRED FOR USE ON INCOMING SELECTOR
 - 6a SHELF JACK POINTS (U17-U19) MAKE CONTACT WHEN SELECTOR IS REMOVED
 - 6b FOR ENQUIRY SELECTOR SHELF JACK POINTS 25 & 27 ARE ADJUSTED TO MAKE CONTACT WHEN SELECTOR IS REMOVED
 - 7 ⚡ FOR WIRING SEE RELEVANT RACK COMMON SERVICES DIAGRAM
 8. U17 & 19 ARE STRAPPED ON THE SELECTOR

ETH ETH. BAR 20 SW.G. R (3A) U11
 BATT. FUSE 20 SW.G. BK (3B) U12
 BATT W:- U12-R3b-R4b-Ac-He-Vme-RMe
 ETH, R:- U11-B25-Ba-B0-Ab-A1-H1-R2a



NOTE 8

N	NR	TJ	NPA	S
3	2	12	2	2



D NOTES 3 & 4 AMENDED (PX %0096) GC.		?	6-6-58 HPG
C		1	8-9-52
AMENDMENT	PARTICULARS	ISSUE DATE	APP.
G.P.O APPROVED AS STANDARD		8-9-52	
A.T. & E. CO. LTD. LIVERPOOL	207 R.C. DS. APPROVED	DRN.	CHK
WIRING CIRCUIT		ACK	

SLOW RELEASE SLOW OPERATE

2ND GROUP INCOMING AND ENQUIRY SELECTOR FOR P.A.B.X. No 3.

REF. S.338 SOV. W.

SAW 81600