

FIG. 1A
1 PER LOCAL CABLE TEST PAIR

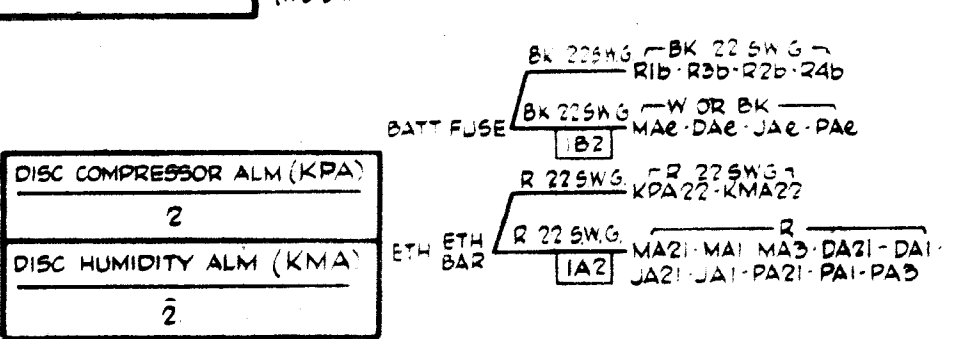
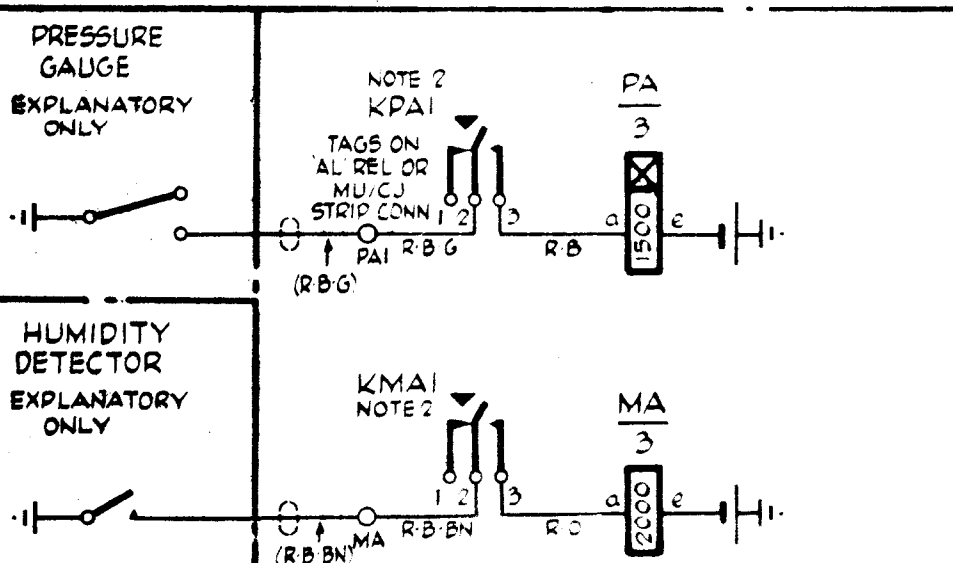
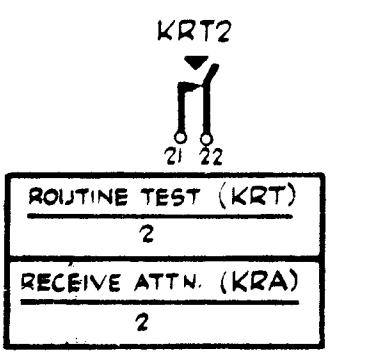


FIG. 1B

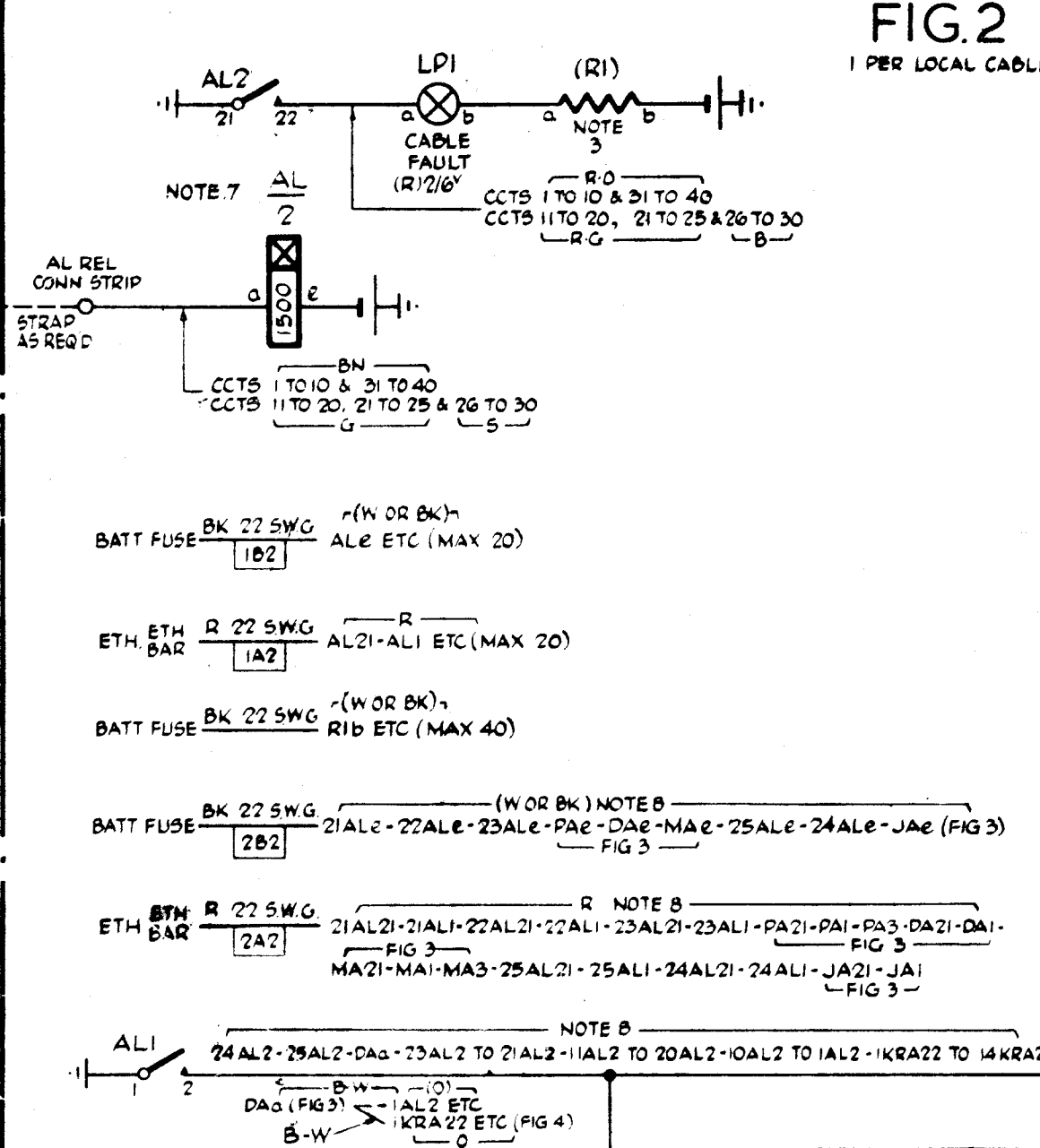
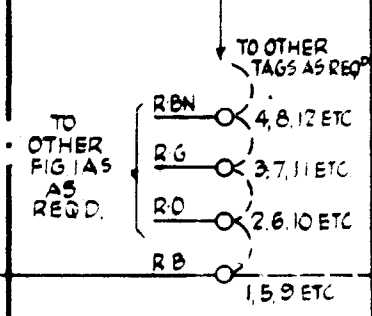


FIG. 2
1 PER LOCAL CABLE

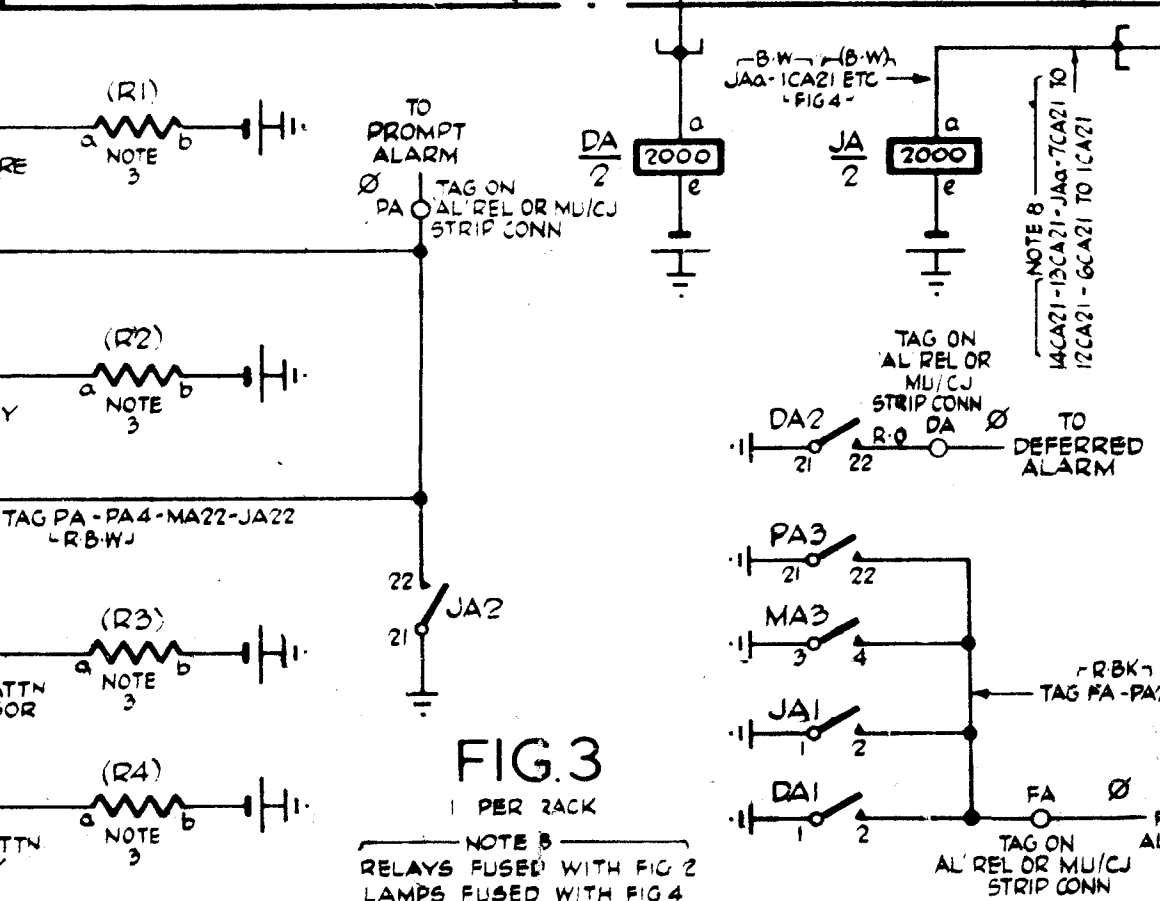


FIG. 3
1 PER ZACK

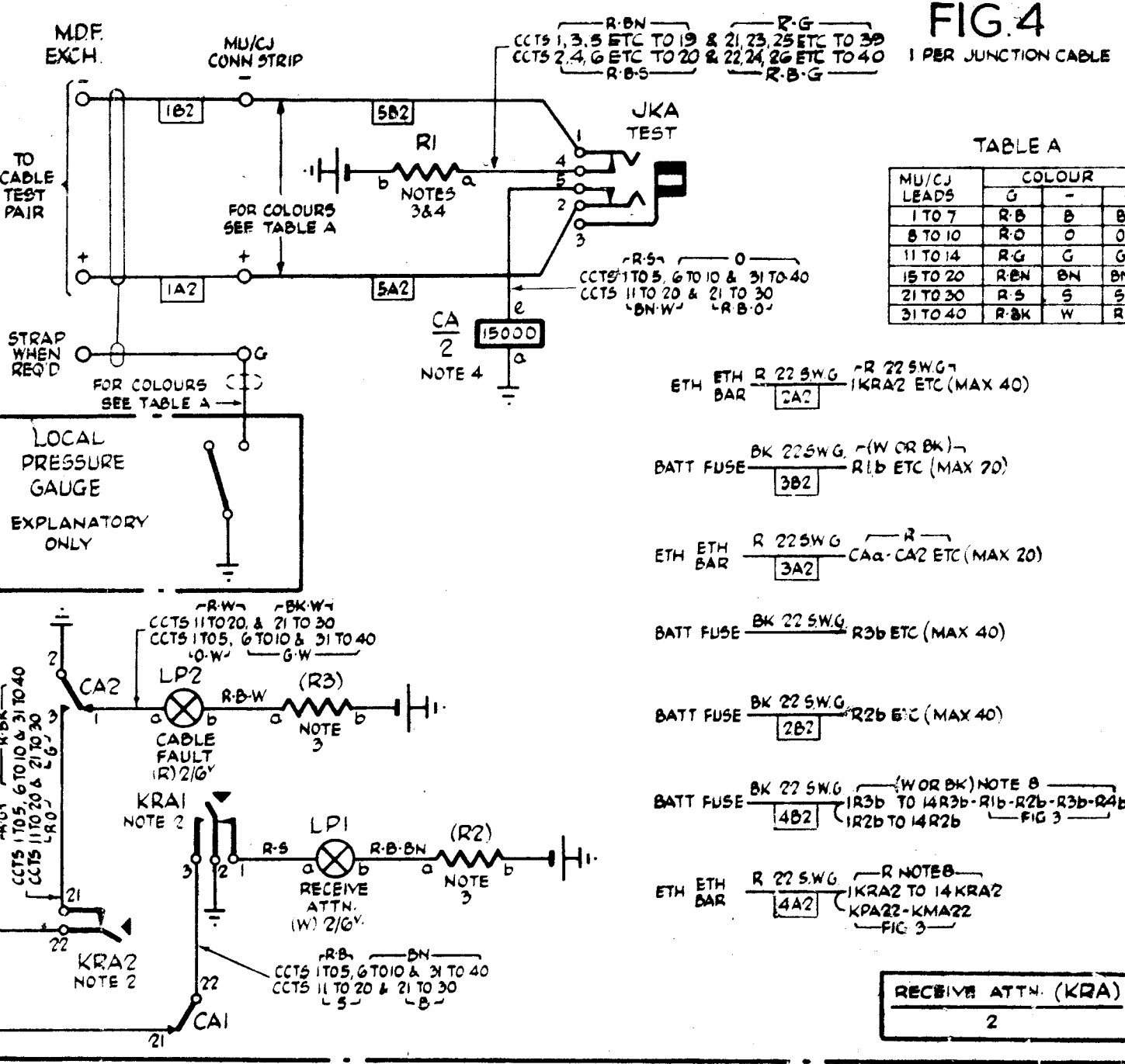


FIG. 4
1 PER JUNCTION CABLE

TABLE A

MU/CJ LEADS	COLOUR		
	G	-	+
1 TO 7	R-B	B	B-W
8 TO 10	R-O	O	O-W
11 TO 14	R-G	G	G-W
15 TO 20	R-BN	BN	BN-W
21 TO 30	R-S	S	S-W
31 TO 40	R-BK	W	R-W

- NOTES:**
- FUSE - FIG. 1A 1-5A. PER 40 LAMP RESISTORS
FIG. 2 1-0A. PER 20 RELAYS
FIG. 3 1-5A. PER 40 LAMP RESISTORS
FIG. 4 1-0A. PER 20 RI RESISTORS
FIG. 4 1-5A. PER 40 LAMP RESISTORS
 - THESE KEYS ARE NORMALLY OPERATED
 - FOR VALUE OF THESE RESISTORS SEE TABLE BELOW
 - IN 24V & 40V EXCHANGES VALUE OF RELAY CA IS 500Ω & VALUE OF R1 TO BE CHOSEN SO THAT THE LINE CURRENT IS BETWEEN 12 & 15 MA SUBJECT TO A MINIMUM OF 590Ω.
 - ALL WIRING TO BE 25 SW.G UNLESS OTHERWISE SPECIFIED
 - Ø FOR WIRING SEE TPW 32880 OR EQUIV.
 - ONE AL RELAY IS NORMALLY PROVIDED PER CABLE WITH UP TO 6 TEST PAIRS. WHERE IT IS NECESSARY TO PROVIDE MORE THAN 6 TEST PAIRS FOR A CABLE, 2 AL RELAYS ARE PROVIDED
 - WIRING ROUTES REFERRED TO THIS NOTE ONLY APPLY TO EQUIPMENT CABLE PRESSURISING NOS 1 & 2) ORIGINALLY WIRED TO ISSUE 1 ON WHICH NO WIRE COLOURS WERE SHOWN
 - FOR COLOURS OF THESE LEADS SEE TABLE BELOW

NOTES:

VOLTAGE	LAMP RES	RI (FIG. 4)
40	870	SEE NOTE 4
50	1.15K	510
60	1.5K	750
24	470	SEE NOTE 4

AMENDMENT PARTICULARS		ISSUE	DATE	APP'D	REF: T60029	50Y	H
B	FIGS. 2 & 4 MINOR WIRING MODS. (CNS 4/43/9)	3	19.8.64	116			
B	REMOVED FROM 'Z' CATEGORY REDDRAWN HEATER ALARM DELETED. RELS JA & DA ADDED NOTES REVISED. R2 (FIG 4) DELETED (CNS 3/107/12)	2	19.1.64	678			
A		1	19.12.63	478			

PRESSURISED CABLE ALARM CIRCUITS

ATW 600290