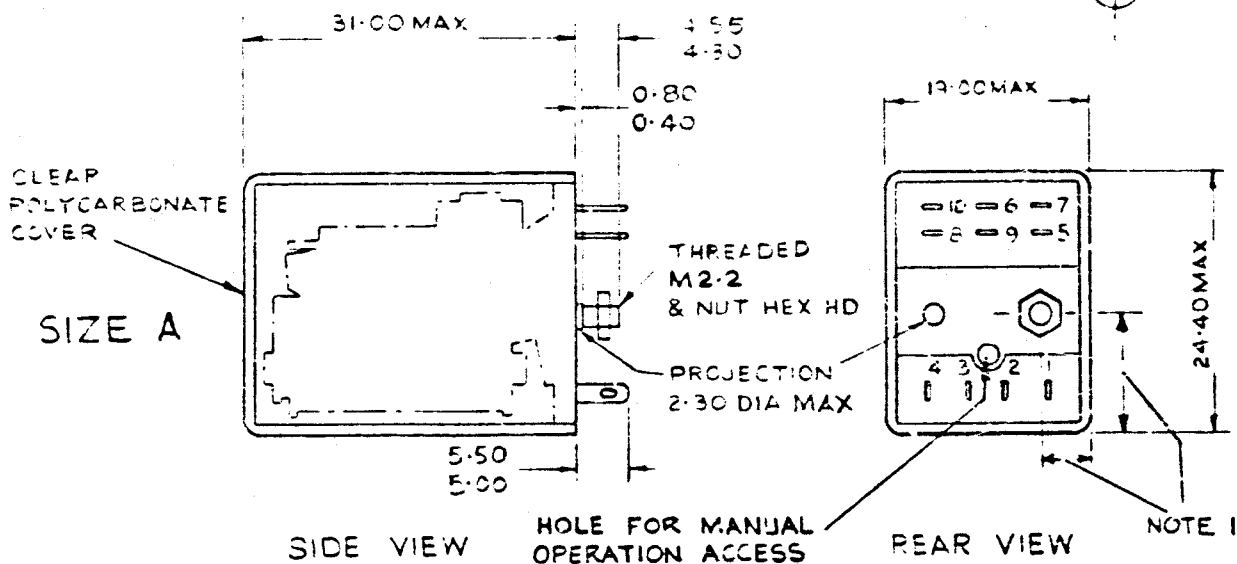
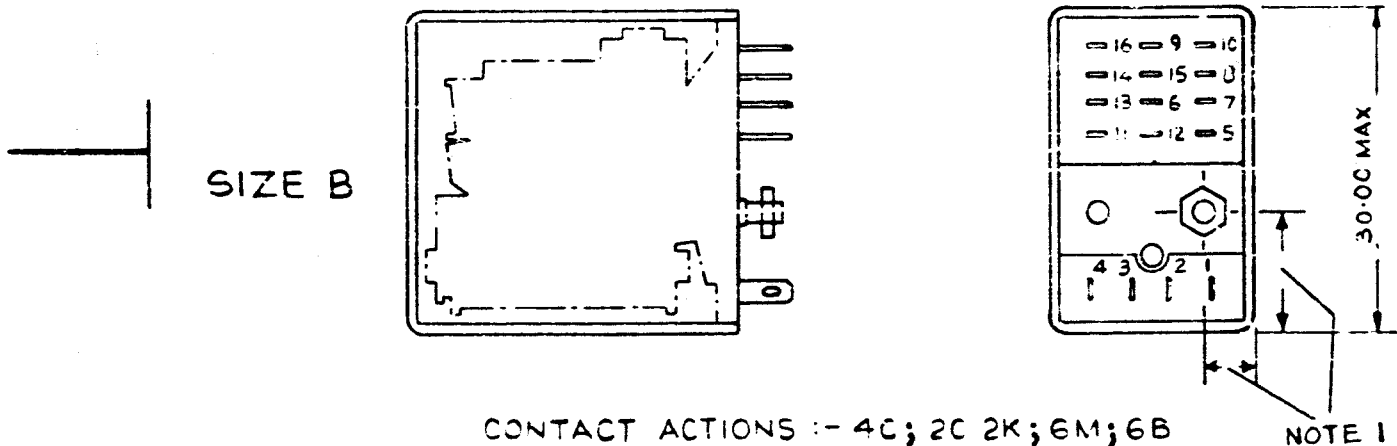


# TAG NUMBERING



CONTACT ACTIONS :- 2C;2K



CONTACT ACTIONS :- 4C; 2C 2K; 6M; 6B

ALL OTHER PARTICULARS AS SIZE A

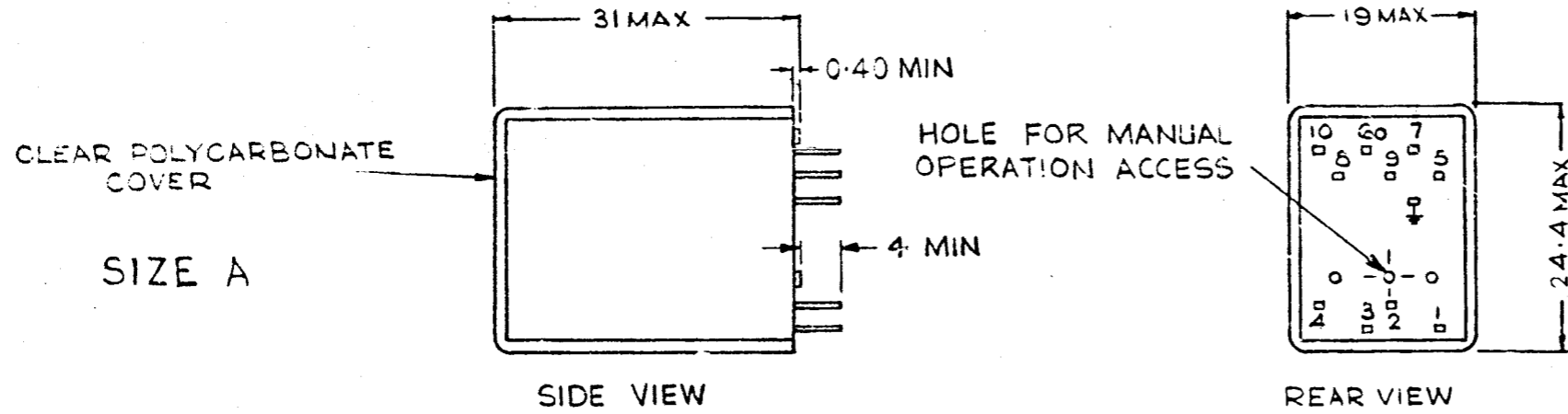
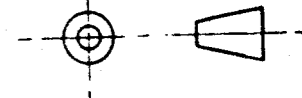
NOTE :-

1. TO FIT DRILLING DR203 (DRG DR203)

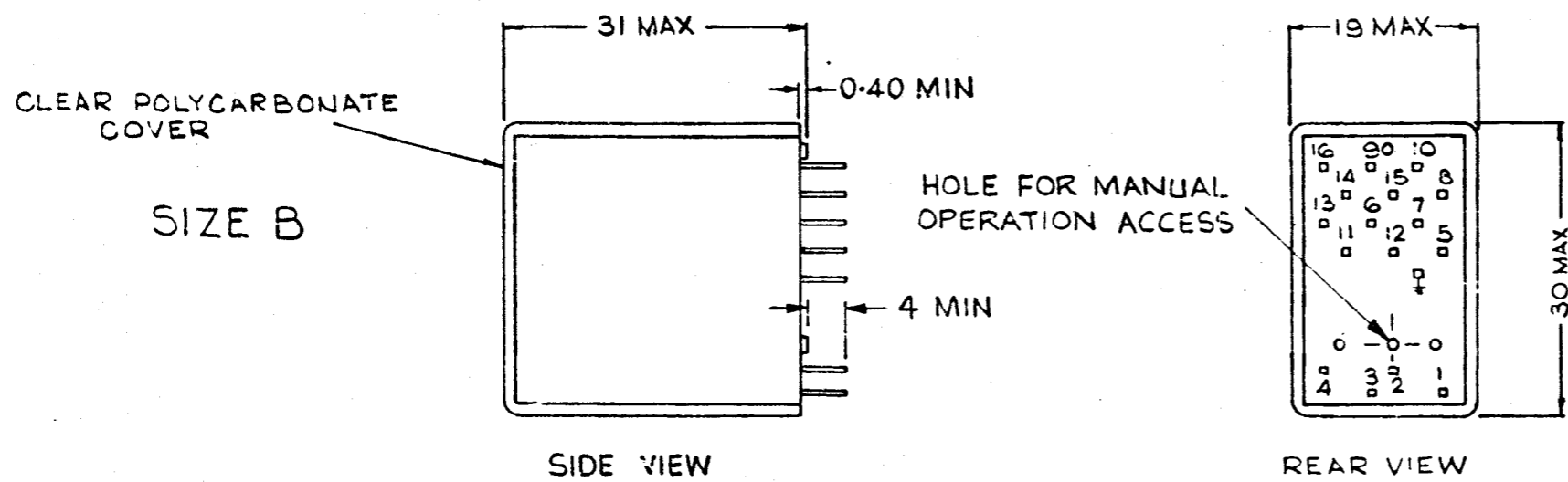
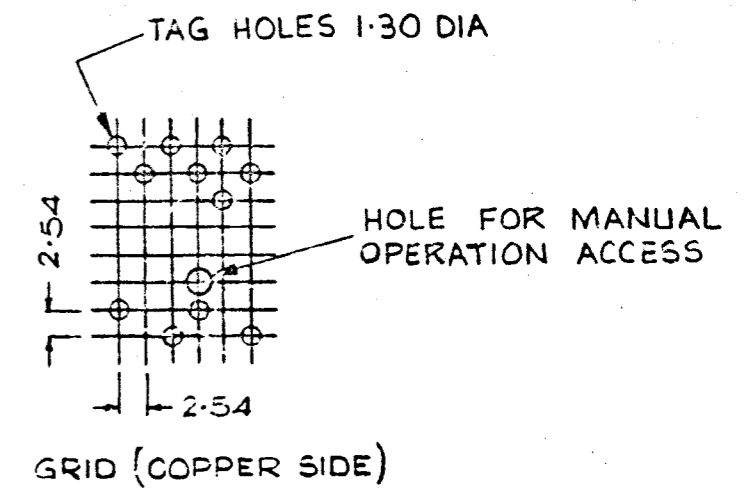


DIMENSIONS IN mm  
DO NOT SCALE

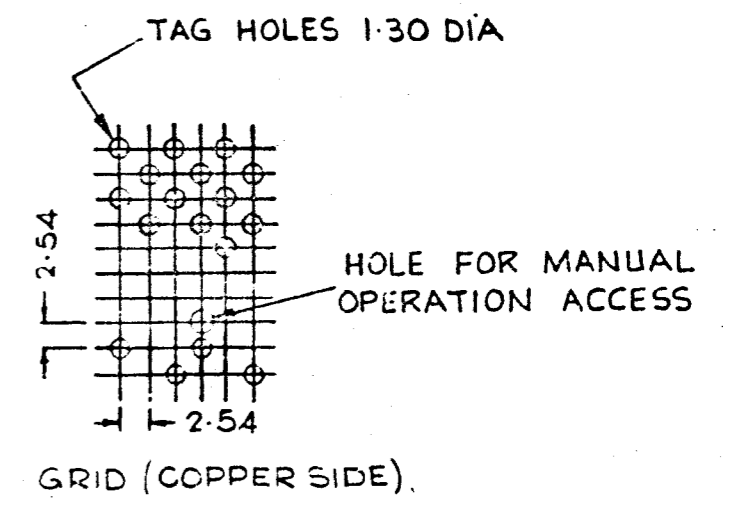
DIM. 0.80/0.40 WAS 0.60/0.40 DIM 5.50/5.00 WAS 5.40/5.00 SN PRS 28-8-73		B	NOTE RE MANUAL OPERATION ADDED MINOR CHANGES & SHEET 2 ADDED KC 18.9.71		A	REFERENCES DRG DR203	SPEC T5252 " T4551
AMENDMENT			ISSUE	AMENDMENT		ISSUE	ALL SCREWS & NUTS TO SPEC BS4133 & WASHERS TO SPEC BS4320 EXCEPT WHERE OTHERWISE STATED
A3 A4	DRN <i>BR</i> CKD <i>JMW</i>	MATERIAL AS SHOWN	FINISH				
	CERTIFICATION	RELAY TYPE 23/... ASSEMBLY					
DATE 11 6 70							



CONTACT ACTIONS :- 2C; 2K



CONTACT ACTIONS :- 4C; 2C 2K; 6M; 6B



DIMENSIONS IN mm



DO NOT SCALE

A2	DRN KC	MATERIAL AS SHOWN	FINISH	REFERENCES SPEC'S BS4025 BS4584 T4551
	CKD			
A3	CERTIFICATION	RELAY TYPE 23 ... PW ASSEMBLY		
E-IN-C 4652	DATE 16.8.71	DIM. 31 MAX. WAS 32 MAX		
		SN PRS 22	28-8-73	A
		AMENDMENT	ISSUE	POST OFFICE TELECOMMUNICATIONS HQ TD11-2-1 SECTION
				CD 2328 SHEET 2