

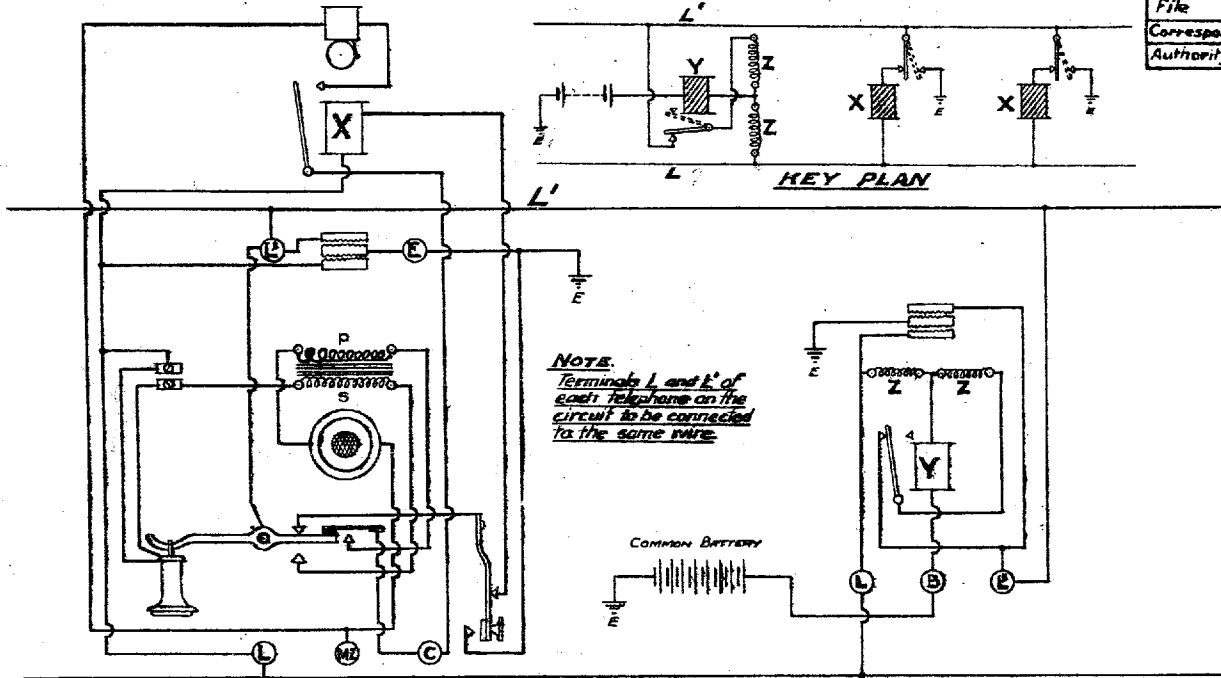
LNER STANDARD TELEPHONE CIRCUITS

DGM	TITLE	DATE
29-ES-76	TELEPHONE CIRCUIT WITH COMMON RINGING BATTERY	12-3-29
29-ES-83	HUNNINGS TELEPHONE WITH UNIVERSAL RINGING BATTERY	18-3-29
30-ES-150	HUNNINGS TELEPHONE	15-4-30
30-ES-201	CONNECTIONS FOR OPERATING G.E. CO'S PATTERN TELEPHONE BY POLARISED RELAY ON OMNIBUS CCTS	15-4-30
30-ES-152	CONNECTIONS FOR OPERATING TELEPHONE BY POLARISED RELAY ON CCTS HAVING ADDITIONAL RINGING KEYS	26-4-30
30-ES-177	G.E. CO'S MAGNETO DESK TELEPHONE	7-5-30
30-ES-199	TYPE 'A' PHONOPORE (INTERNAL CONNECTIONS)	16-5-30
30-ES-206	SPECIAL RINGING KEY TYPE 'A'	19-5-30
30-ES-305	G.E. CO'S MAGNETO DESK TELEPHONE (No K.S. 6347 METAL CASE)	19-9-30
30-ES-335	PHONOPORE TYPE 'R'	17-5-30
30-ES-172	HUNNINGS TELEPHONE WITH CONDENSER LINE CCT TO ELIMINATE STRAY CURRENTS	30-6-37
30-ES-196	HUNNINGS TELEPHONE WITH INDEPENDENT BATTERY FOR MICROPHONE AND BELL	15-3-30

30-ES-272	HUNNINGS 1000 OHMS TELEPHONE OPERATED BY POLARISED RELAY	14-4-30
30-ES-306	TELEPHONE WITH CONDENSER	5-4-30
30-ES-168	ARRANGEMENTS FOR SWITCHING PRIVATE TELEPHONE ON TO LNER OMNIBUS CCT	7-5-30
30-ES-184	OMNIBUS TELEPHONE OPERATED THROUGH JACKS & CORDLESS PLUGS	
30-ES-202	BUZZER TYPE TELEPHONE (SUPERIMPOSED ON TELEGRAPH CIRCUIT)	29-6-37
30-ES-271	TELEPHONE RELAY & BELL GAS PROOF	30-6-37
30-ES-273	BATTERY DESK TELEPHONE	1-7-37
34-ES-83	ERICSSON PATTERN TELEPHONE (NO N 1170)	1-3-34

THESE DIAGRAMS ARE FROM JOHN MIDCALF'S COLLECTION, TO WHOM MANY THANKS

File	
Correspondence	
Authority	



NOTE.
 Terminate L and L' of each telephone on the circuit to be connected to the same wire.

Approved *R. S. [Signature]*
 Signal & Telegraph Engineer.
 Date 26. 3. 29.

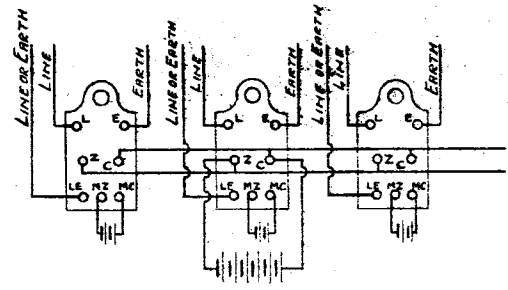
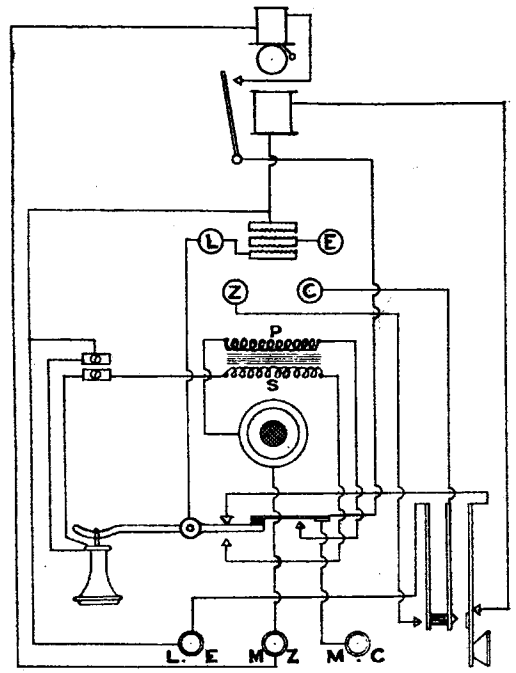
Approved *[Signature]*
 Assistant Engineer.
 Date 17/4/29

Approved *[Signature]*
 Engineer.
 Date 24/4/29

Drawn by <i>[Signature]</i>	Correct
Traced by <i>[Signature]</i>	Date
Checked by	

L.N.E.R. NORTH EASTERN AREA.
 STANDARD DRAWING
 Telephone Circuit with
 Common Ringing Battery.
 DRAWING No 29-ES-76
 Engineer's Office, York. 12-3-29.

File	
Correspondence	
Authority	



KEY PLAN

Approved *A.F. Harrison*
 Signal & Telegraph Engineer.
 Date 28. 3. 29.

Approved *A. J. Harrison*
 Assistant Engineer.
 Date 27/3/29

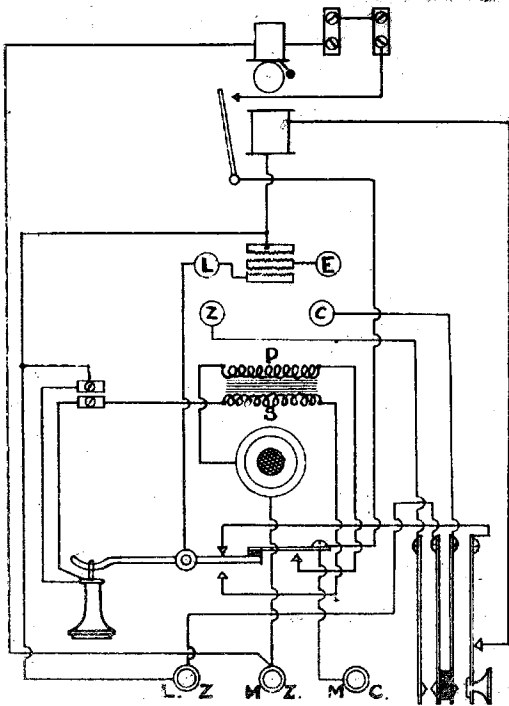
Approved *L. Parcock*
 Engineer.
 Date 28. 3. 29

Drawn by	R. Harrison	Correct
Traced by	R. Harrison	Date
Checked by	L. Parcock	28. 3. 29

L.N.E.R. NORTH EASTERN AREA.
 STANDARD DRAWINGS
HUNNING TELEPHONES
 with Universal Ringing Battery
 Drawing No. 29 E.S.83
 Engineer's Office, York. 18:3:29

File	
Correspondence	
Authority	

7



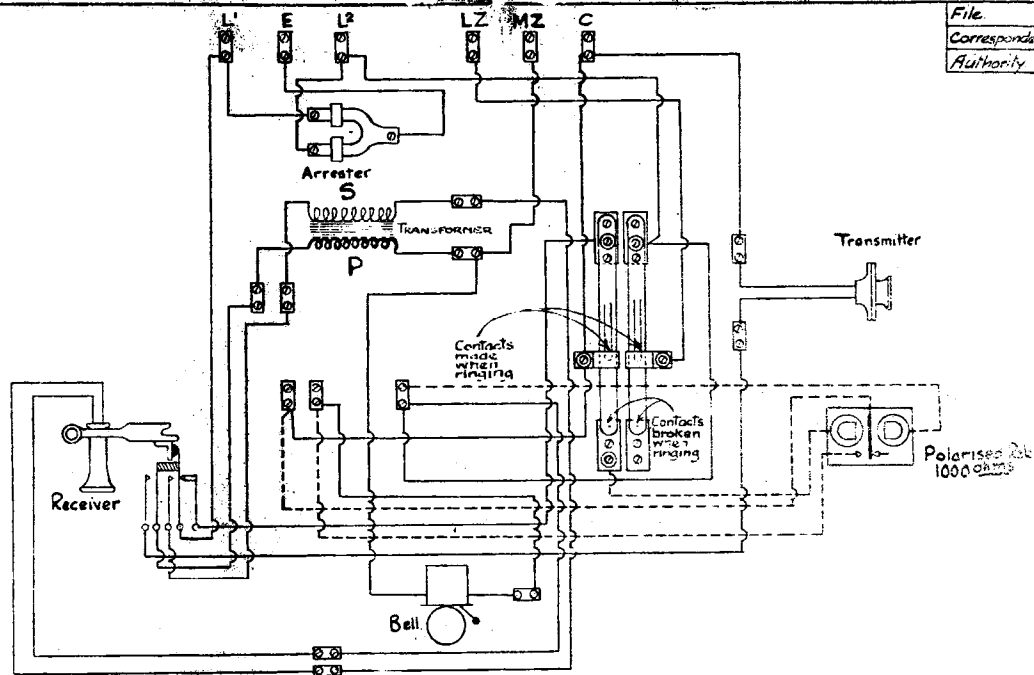
Approved. *A. P. Eastwood*
 Signal & Telegraph Engineer.
 Date *5/20/30*

Approved. *[Signature]*
 Assistant Engineer.
 Date *8/17/30*

Approved. *[Signature]*
 Engineer.
 Date *15/7/30*

Drawn by		Correct.
Traced by	<i>R. Harrison</i>	<i>P. D.</i>
Checked by	<i>[Signature]</i>	Date <i>28-4-30</i>

L.N.E.R NORTH EASTERN AREA
STANDARD DIAGRAM FOR
HUNNINGS TELEPHONE
DRAWING N°30ES 150
 Engineer's Office York 15-4-30



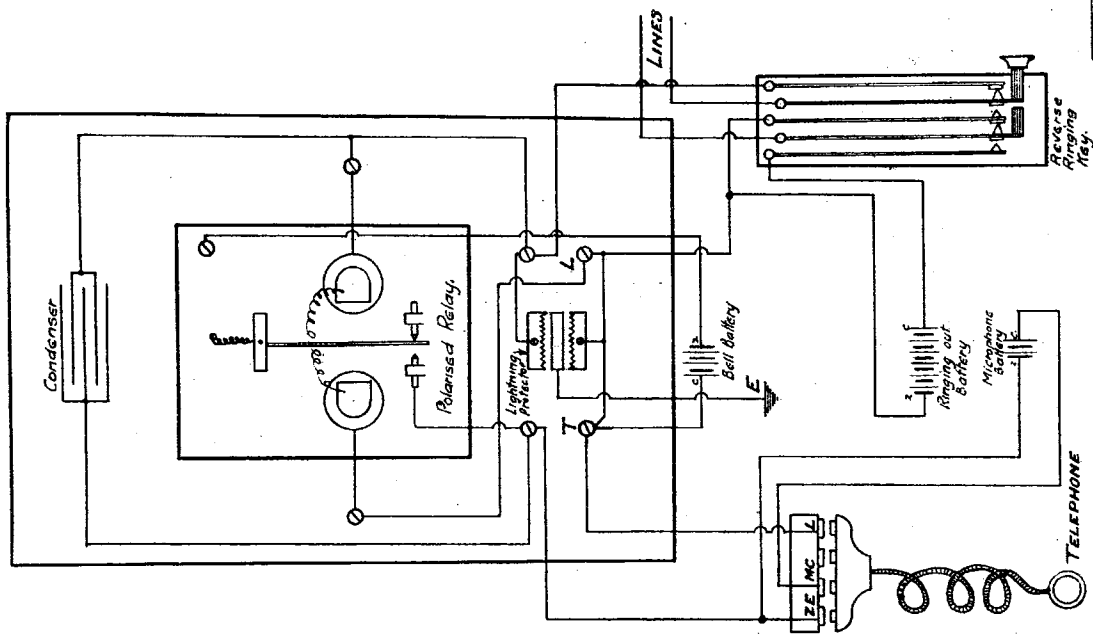
Approved *A. S. Tammisall*
Signal & Telegraph Engineer.
Date *1*

Approved *[Signature]*
Assistant Engineer
Date *17/10*

Approved *John Meier*
Engineer.
Date *12-12-30*

Drawn by		Correct
Traced by	<i>R. Hebborn</i>	<i>[Signature]</i>
Checked by	<i>R. Fenwick</i>	Date <i>28-4-30</i>

L.N.E.R. NORTH EASTERN AREA
STANDARD DIAGRAM SHOWING
CONNECTIONS FOR OPERATING G.E.C. 23
PATTERN TELEPHONE BY POLARISED RELAY
ON OMNIBUS TELEPHONE CIRCUIT
DRAWING 30ES. 151
Engineers Office York 15-4-30



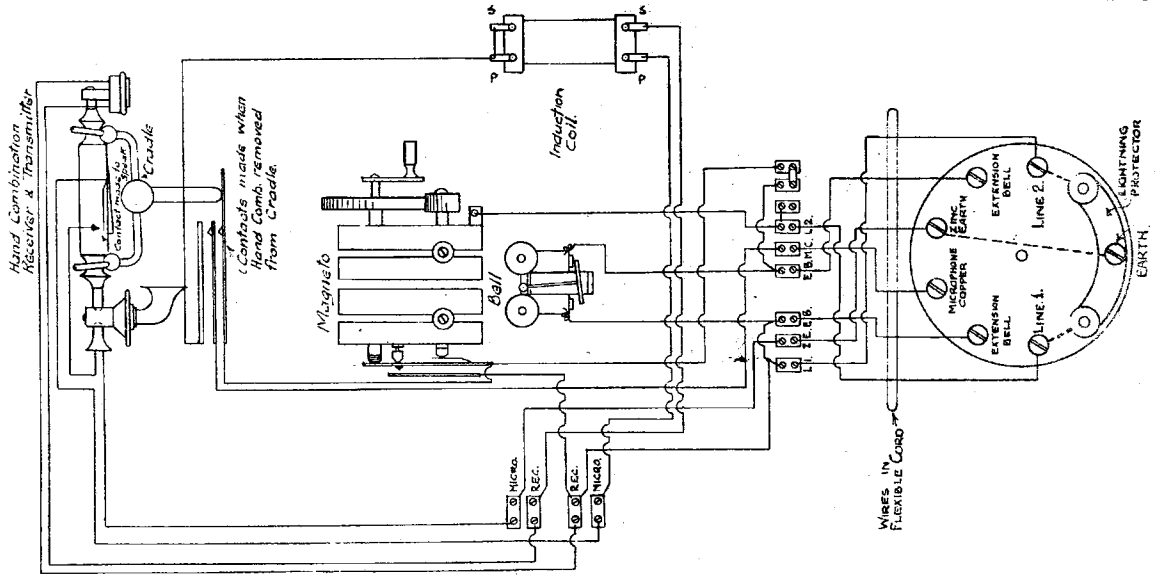
Approved. *A. J. Zimmell*
 Signal & Telegraph Engineer.
 Date. 15. 7. 50

Approved. *A. J. Zimmell*
 Assistant Engineer.
 Date. 27/7/50

Approved. *John Miller*
 Engineer.
 Date. 31/7/50

Drawn by		Correct.
Traced by	H. HEBRON	<i>del</i>
Checked by	L. Peacock	Date 28-4-50

L.N.E.R. NORTH EASTERN AREA
 STANDARD WIRING FOR
 CONNECTIONS FOR OPERATING TELEPHONES
 BY POLARISED RELAY & C ON CIRCUITS.
 HAVING ADDITIONAL RINGING KEYS.
 DRAWING N° 30ES 152
 Engineers Office York. 26-4-50.



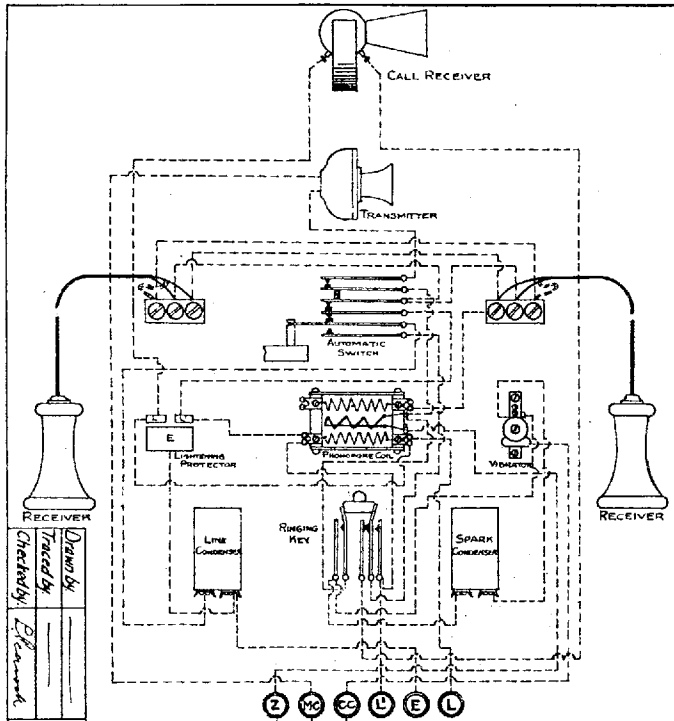
Approved *[Signature]*
Signal & Telegraph Engineer
Date

Approved *[Signature]*
Assistant Engineer
Date 20.10.30.

Approved *[Signature]*
Engineer
Date 12.11.30

Drawn by		Correct
Traced by	<i>[Signature]</i>	<i>[Signature]</i>
Checked by	<i>[Signature]</i>	Date 10.5.30

L.N.E.R. N.E. AREA.
STANDARD WIRING FOR
GE^{CO} MAGNETO DESK TELEPHONE
(K.8055).
DRAWING No 30 ES.177
ENGINEER'S OFFICE, YORK. 7.5.30.

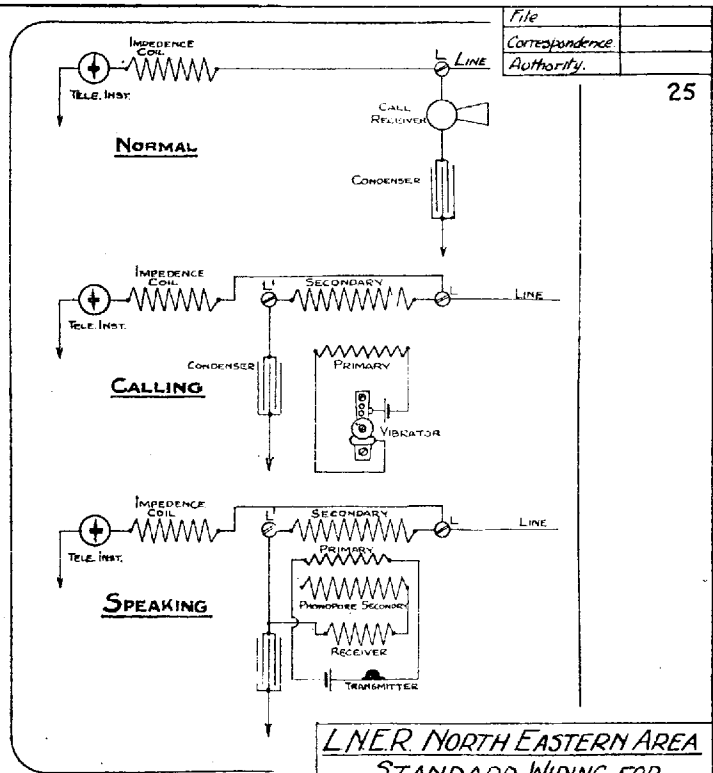


Drawn by _____
 Traced by _____
 Checked by _____
 Planned _____
 Correct _____
 Date 21/10/30

Approved: *[Signature]*
 Signal & Telegraph Engineer.
 Date 15-7-30

Approved: *[Signature]*
 Assistant Engineer.
 Date 21/1/30

NOTE Receivers shown connected in Parallel. Alterations in connections for series working shown by dotted cords, thus *as is*



File _____
 Correspondence _____
 Authority _____

25

L.N.E.R. NORTH EASTERN AREA
STANDARD WIRING FOR
TYPE 'A' PHONOPORE.
 (INTERNAL CONNECTIONS)
DRAWING N° 30 E.S.199
 Engineer's Office, York. 16-5-30.

Approved: *[Signature]*
 Engineer.
 Date 9-10-30

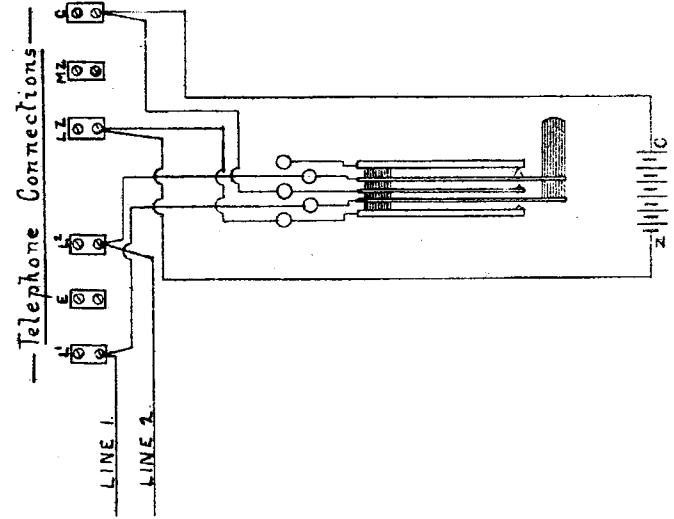
File	
Correspondence	
Authority	

SPECIAL RINGING KEY

— (TYPE A) —

Connected to Telephone (G.E.C.'s pattern) for

— ringing to Train Control —



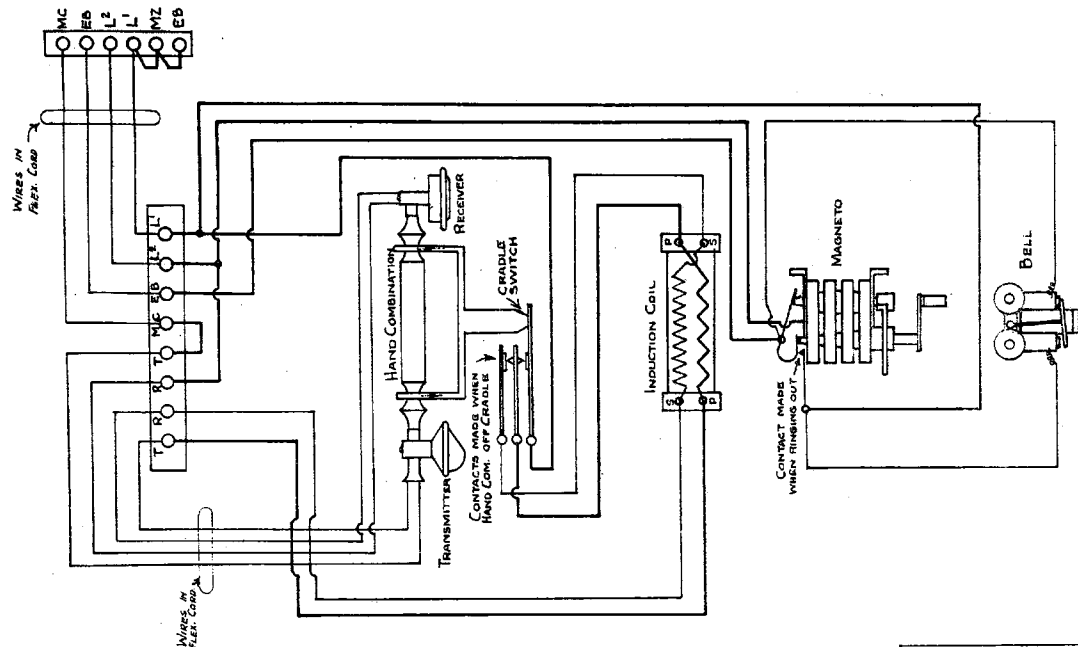
Approved *at. [unclear]*
 Signal & Telegraph Engineer
 Date *25. 6. 30.*

Approved *[Signature]*
 Assistant Engineer
 Date *21/7/30.*

Approved *[Signature]*
 Engineer
 Date *18/2/30.*

Drawn by	—	Correct	—
Traced by	—		
Checked by	<i>R. [unclear]</i>	Date	<i>24. 5. 30</i>

LN&ER NORTH EASTERN AREA
 STANDARD WIRING FOR
 SPECIAL RINGING KEY
 (TYPE A.)
 DRAWING N° 30ES 206
 Engineer's Office York 19-5-30



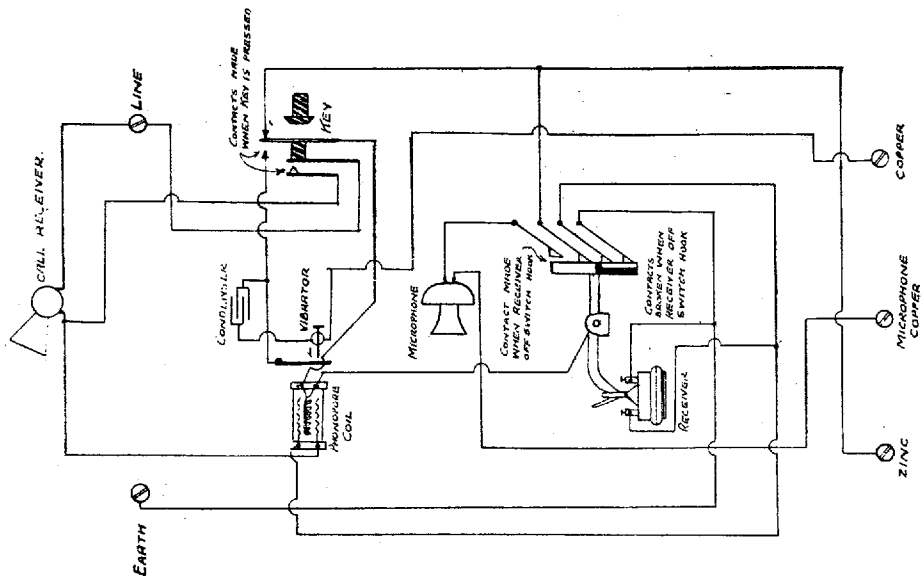
Approved *at request*
 Signal & Telegraph Engineer
 Date 17.10.30

Approved *J. H. ...*
 Assistant Engineer
 Date 20.10.30

Approved *John Miller*
 Engineer
 Date 6.11.30

Drawn by	<i>R. ...</i>	Correct	<i>C.E.</i>
Traced by		Date	19-9-30
Checked by	<i>C.E. Ellison</i>		

L.N.E.R. N.E. AREA.
 STANDARD WIRING FOR
 G.E.C^{OS} MAGNETO DESK TELEPHONE
 (No K.S. 6347. METAL CASED)
 DRAWING No 30.ES.305.
 Engineers Office, York. Sep/1930



Approved: *[Signature]*
Signal & Telegraph Engineer
Date: 15. 7. 30

Approved: *[Signature]*
Assistant Engineer
Date: 26/7/30

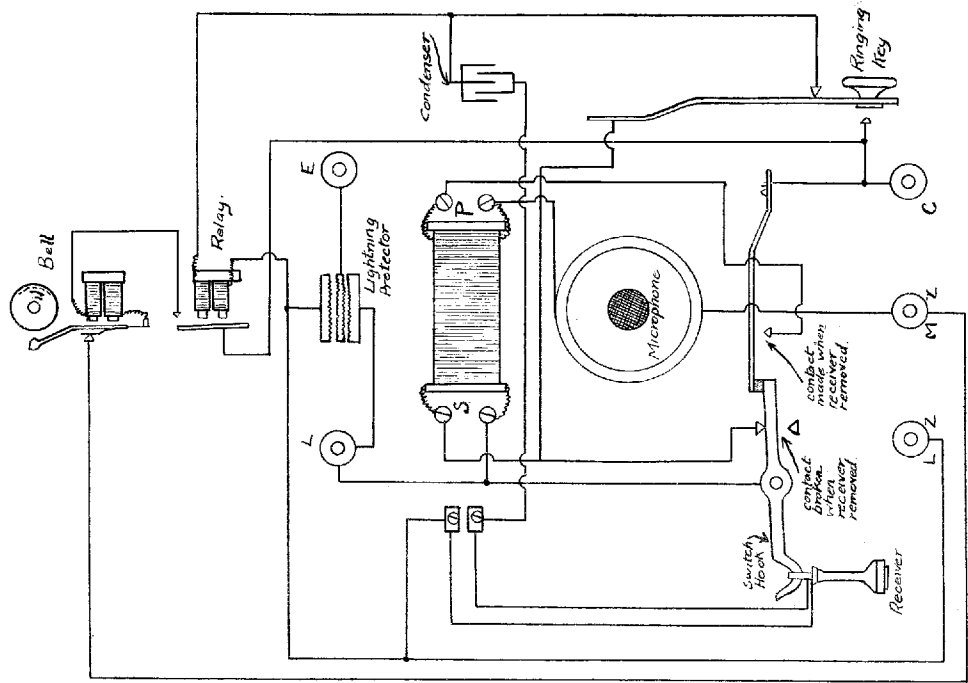
Approved: *[Signature]*
Engineer
Date: 9. 10. 30

Drawn by		Correct:
Traced by	A. WALKER	<i>[Signature]</i>
Checked by	<i>[Signature]</i>	Date 24. 5. 30

L.N.E.R. N.E. AREA.
STANDARD WIRING FOR
PHONOPORE TYPE R
DRAWING NO 3055. 335
ENGINEER'S OFFICE YORK 17. 5. 30

File	
Correspondence	
Authority	

8

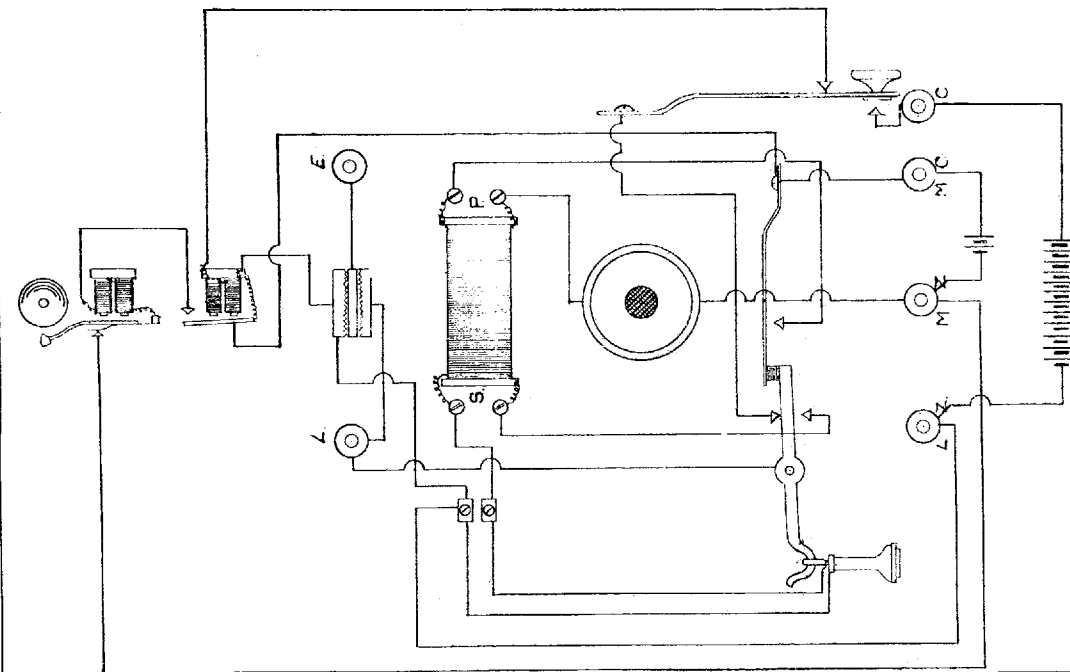


Double Wire Telephone Circuit

L.N.E.R. NORTH EASTERN AREA
 STANDARD WIRING FOR
 HUNNINGS TELEPHONE
 WITH CONDENSER IN LINE COT. TO
 ELIMINATE STRAY CURRENTS.
 DRAWING 30E.S. 172
 Engineer's Office York 3-6-30
 30-6-30

DRAWN BY	AW	APPROVED
EXAMINED BY	PA	<i>Charles J. Armitage</i>
		10.3.38 11.2.38

File	
Correspondence	
Authority	



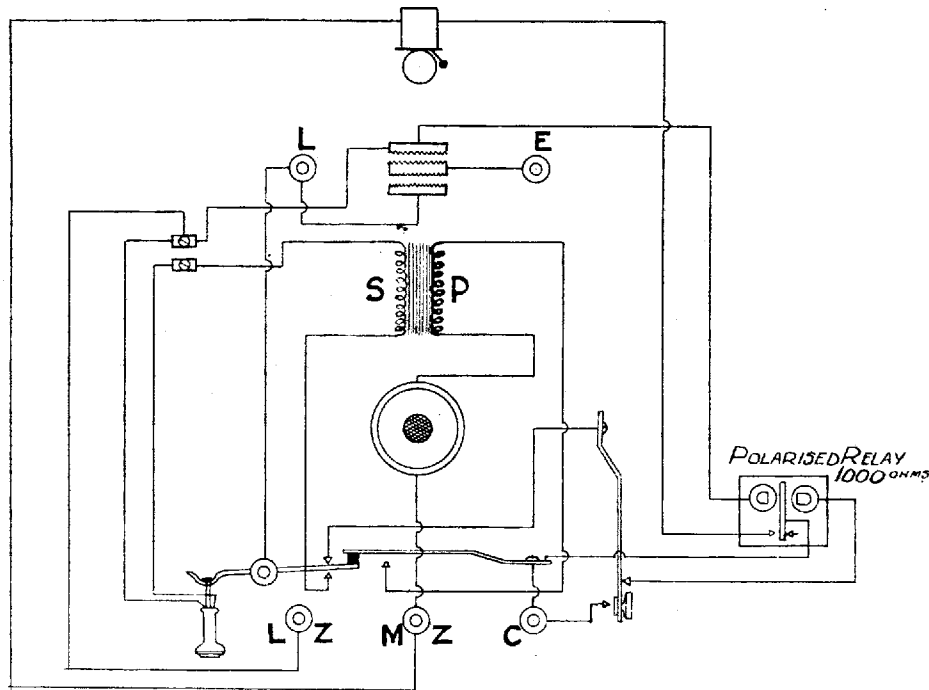
Approved *H. S. Johnson*
 Signal & Telegraph Engineer
 Date _____

Approved *[Signature]*
 Assistant Engineer
 Date *8/1/30*

Approved *[Signature]*
 Engineer
 Date *11/1/30*

Drawn by	_____	Correct	_____
Traced by	_____		
Checked by	<i>H. S. Johnson</i>	Date	<i>24.5.30</i>

L.N.E.R. NORTH EASTERN AREA
STANDARD WIRING FOR
HUNNINGS TELEPHONE
WITH INDEPENDENT BATTERY FOR
MICROPHONE AND BELL
DRAWING 30 E. 3. 196
Engineer's Office, York. 15.5.30



Approved *A.S. Mansell*
Signal & Telegraph Engineer
Date 1.7.30

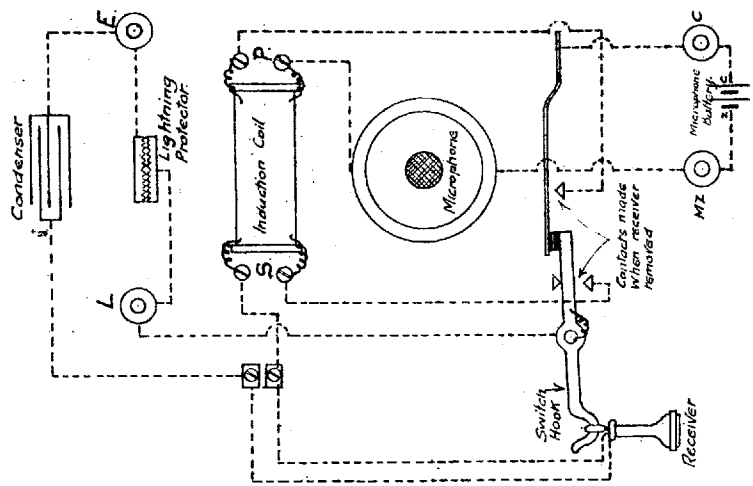
Approved *[Signature]*
Assistant Engineer
Date 2/7/30

Approved *[Signature]*
Engineer
Date 2/7/30

L.N.E.R. NORTH EASTERN AREA
STANDARD DRAWING FOR
HUNNING'S 1000 OHMS TELEPHONE
OPERATED BY POLARISED RELAY
DRAWING 30.E.5.272
Engineers Office, York, 14-4-30.

Drawn by		Correct
Traced by	R. H. Brown	<i>[Signature]</i>
Checked by	<i>[Signature]</i>	Date <u>15.11.30</u>

File	
Correspondence	
Authority	



Telephone

*with Condenser
in Line Circuit
to eliminate stray currents.
Single Wire Telephone Ckt.*

Approved: *A.S. [Signature]*
Signal & Telegraph Engineer
Date: _____

Approved: *[Signature]*
Assistant Engineer
Date: 20-10-30

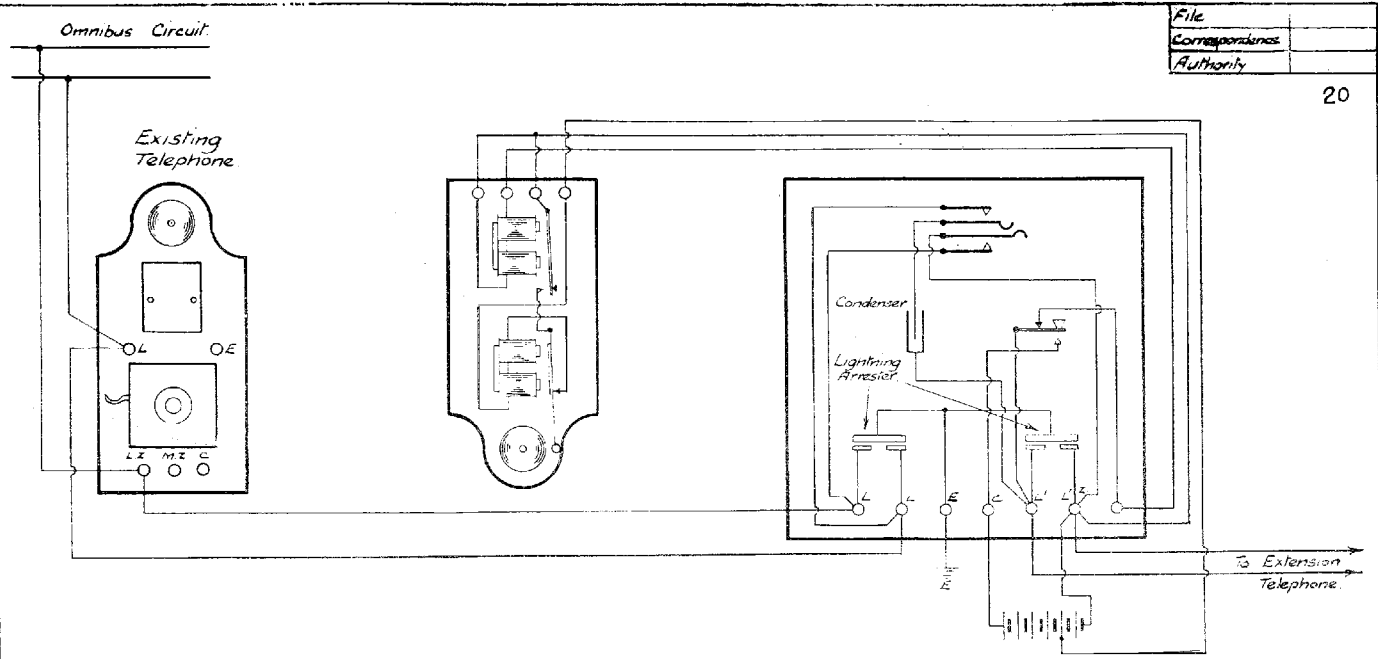
Approved: *[Signature]*
Engineer
Date: 20-10-30

Drawn by		Correct
Traced by		<i>R.D.</i>
Checked by		Date: 15-11-30

L.N.E.R. NORTH EASTERN AREA
STANDARD WIRING FOR
TELEPHONE WITH CONDENSER.

DRAWING N° 30 E5. 306
Engineers Office, York 5-4-30

File	
Correspondence	
Authority	



Approved *A. S. Raines*
 Signal & Telegraph Engineer
 Date 8.7.30

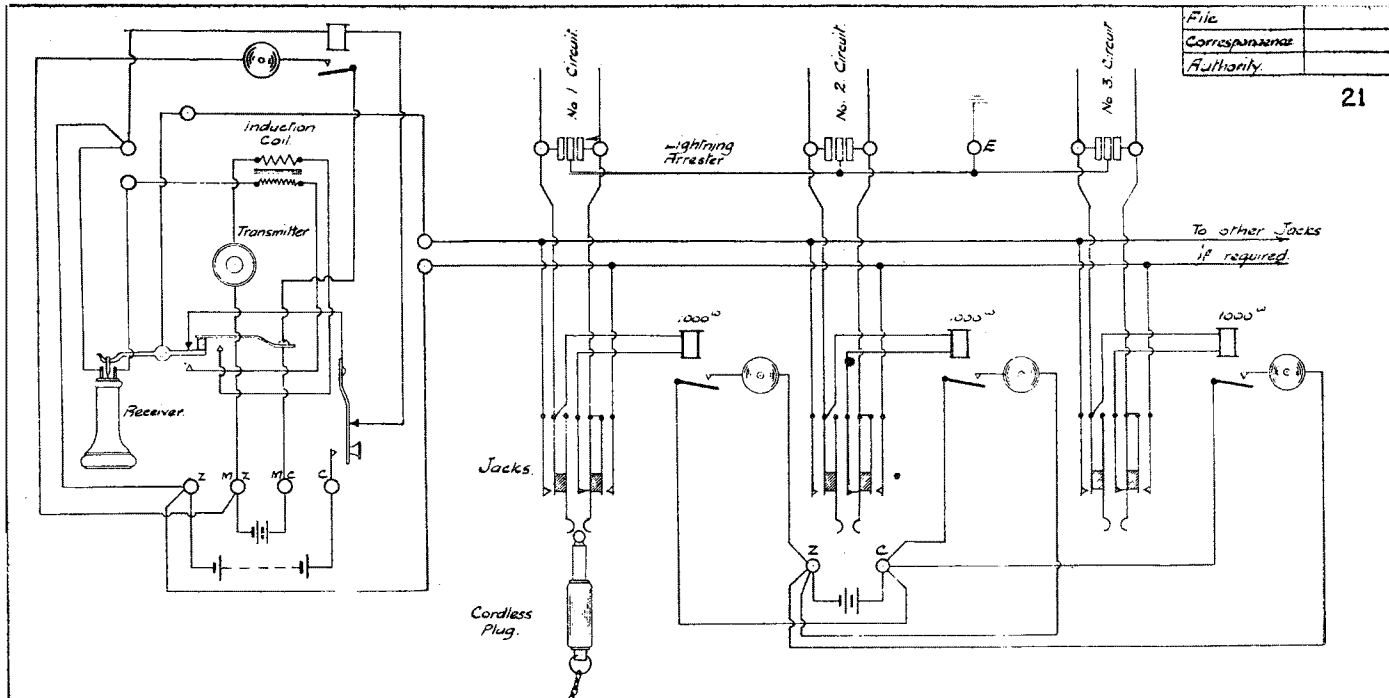
Approved *A. M. Taylor*
 Assistant Engineer
 Date 18/7/30

Approved *John M. ...*
 Engineer
 Date 18/7/30

Drawn by		Correct
Traced by	<i>R. Kitchin</i>	<i>J. D.</i>
Checked by	<i>L. Pearce</i>	Date <u>10.5.30</u>

L.N.E.R. N.E. AREA
 ARRANGEMENT FOR SWITCHING PRIVATE
 TELEPHONE ON TO L.N.E.R. OMNIBUS C.T.
STANDARD WIRING DIAGRAM
 Drawing N° 30. E.S. 168.
 Engineers Office, York. 7.5.30.

File	
Correspondence	
Authority	



Approved. *R. S. Linnell*
 Signal & Telegraph Engineer.
 Date. 5.1.30.

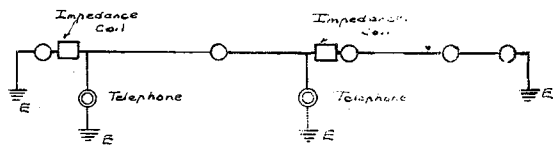
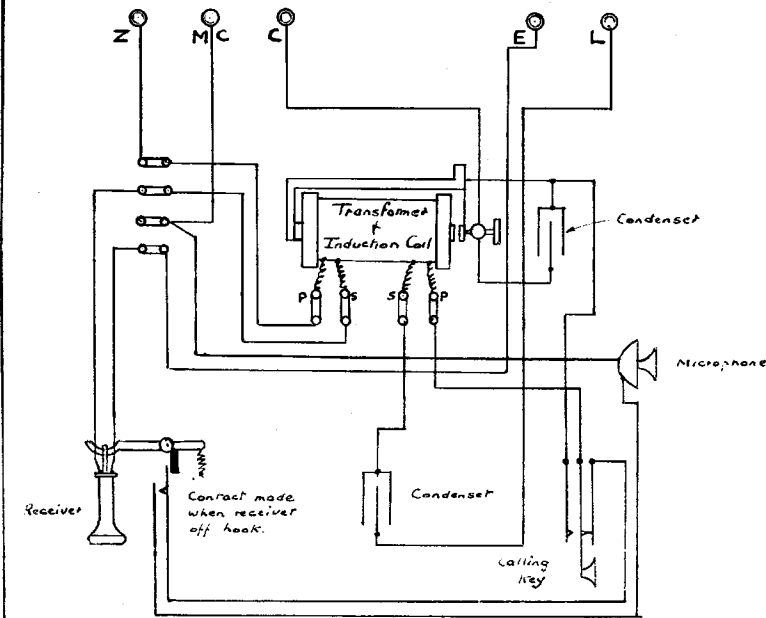
Approved. *[Signature]*
 Assistant Engineer.
 Date. 8/7/30.

Approved. *John Meale*
 Engineer.
 Date. 12/2/30.

Drawn by	R. Kitchin	Correct.	
Traced by	R. Kitchin		<i>[Signature]</i>
Checked by	R. Searock	Date	17.5.30

L.N.E.R. (N.E. AREA)
 OMNIBUS TELEPHONE CIRCUITS OPERATED
 THROUGH JACKS & CORDLESS PLUG.
 WIRING DIAGRAM
 Drawing No 30 ES 184.
 Engineers Office York. 12.5.30.

File	
Correspondence	
Authority	



Superimposed on Telegraph Circuit

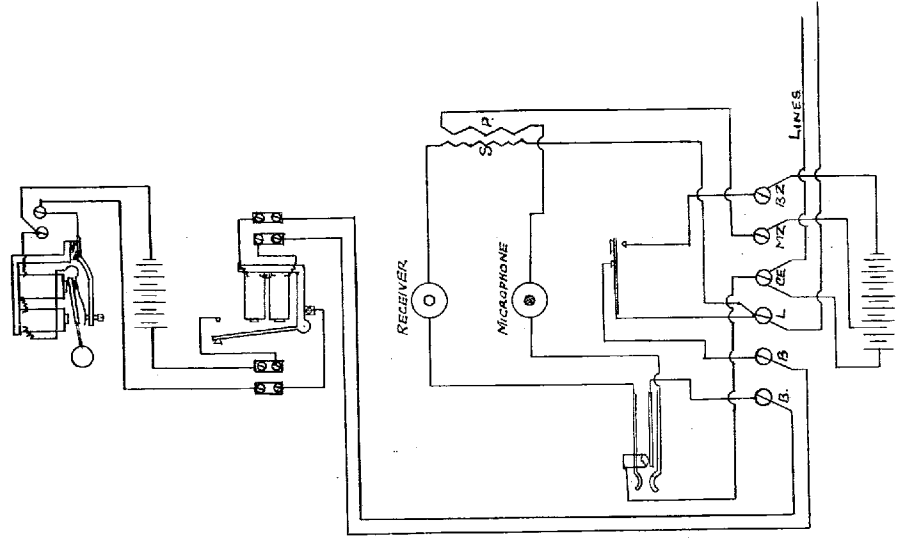
DRAWN		APPROVED	
Checked		<i>[Signature]</i>	<i>[Signature]</i>
			11-38

LNER NORTH EASTERN AREA
STANDARD WIRING FOR
BUZZER TYPE TELEPHONE
 (SUPERIMPOSED ON TELEGRAPH CIRCUIT)
DRAWING No 30 ES 202
 Engineer's Office York

17-5-30
 29-6-37

File	
Correspondence	
Authority	

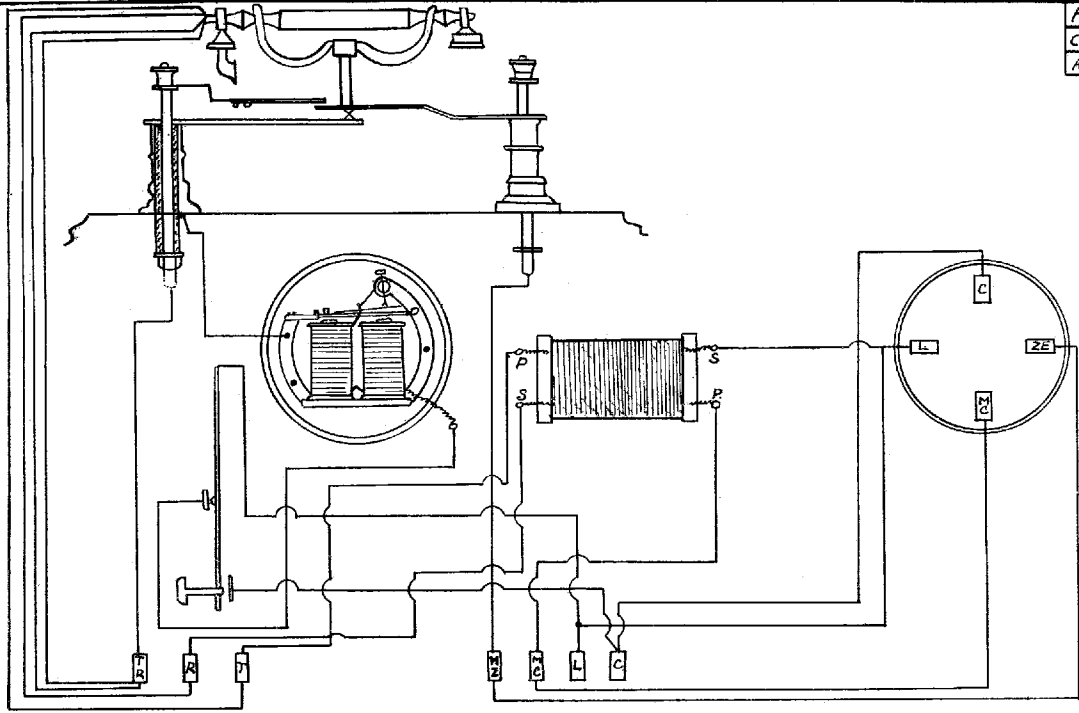
— TELEPHONE, RELAY & BELL —
 — GAS PROOF —



DRAWN		APPROVED	
By	ew	<i>Clearston</i>	<i>J. Adams</i>
EXAMINED	CP	11-3-38	4-3-38
By			

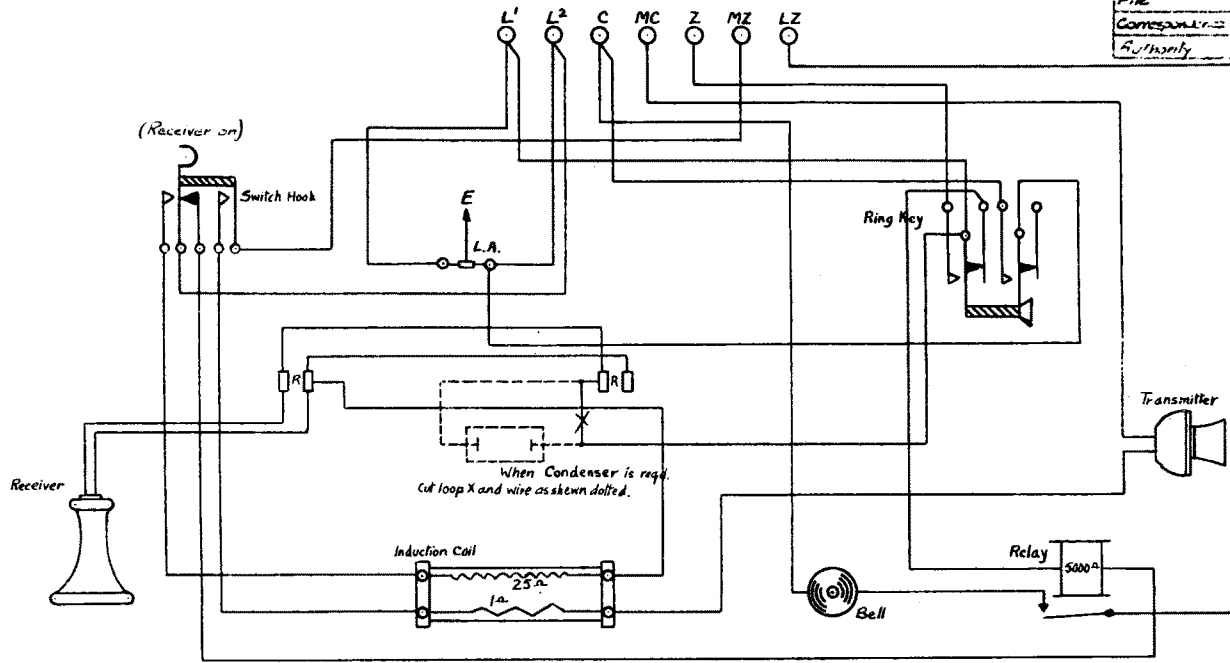
L.N.E.R. NORTH EASTERN AREA
 STANDARD WIRING FOR
 TELEPHONE, RELAY & BELL
 GAS PROOF
 DRAWING N° 30 ES. 271
 Engineer's Office YORK. 7-4-30
 30-6-37

File	
Correspondence	
Authority	



L.N.E.R. NORTH EASTERN AREA.
 STANDARD WIRING FOR
 BATTERY DESK
 TELEPHONE
 DRAWING N° 30 E.S. 273
 Engineer's Office York. 5-4-30
 1-7-37

DRAWN BY	R.S.	APPROVED	
EXAMINED BY	R.A.	<i>Blomston</i> 11.2.38	<i>Stamper</i> 11.3.38



Approved *L.S. [Signature]*
 Signal & Telegraph Engineer
 Date 15-3-34

Approved *J. [Signature]*
 Engineer
 Date 13-3-34

Drawn by	KG.F Macara	Correct
Traced by		<i>S.P. [Signature]</i>
Checked by	<i>L.P. [Signature]</i>	Date 3-3-34

L.N.E.R. NORTH EASTERN AREA
 STANDARD WIRING FOR
 ERICSSON PATTERN TELEPHONE (5000)
 (Nº N.1170)
 DRAWING Nº 34-ES-83
 ENGINEER'S OFFICE, YORK 1-3-34