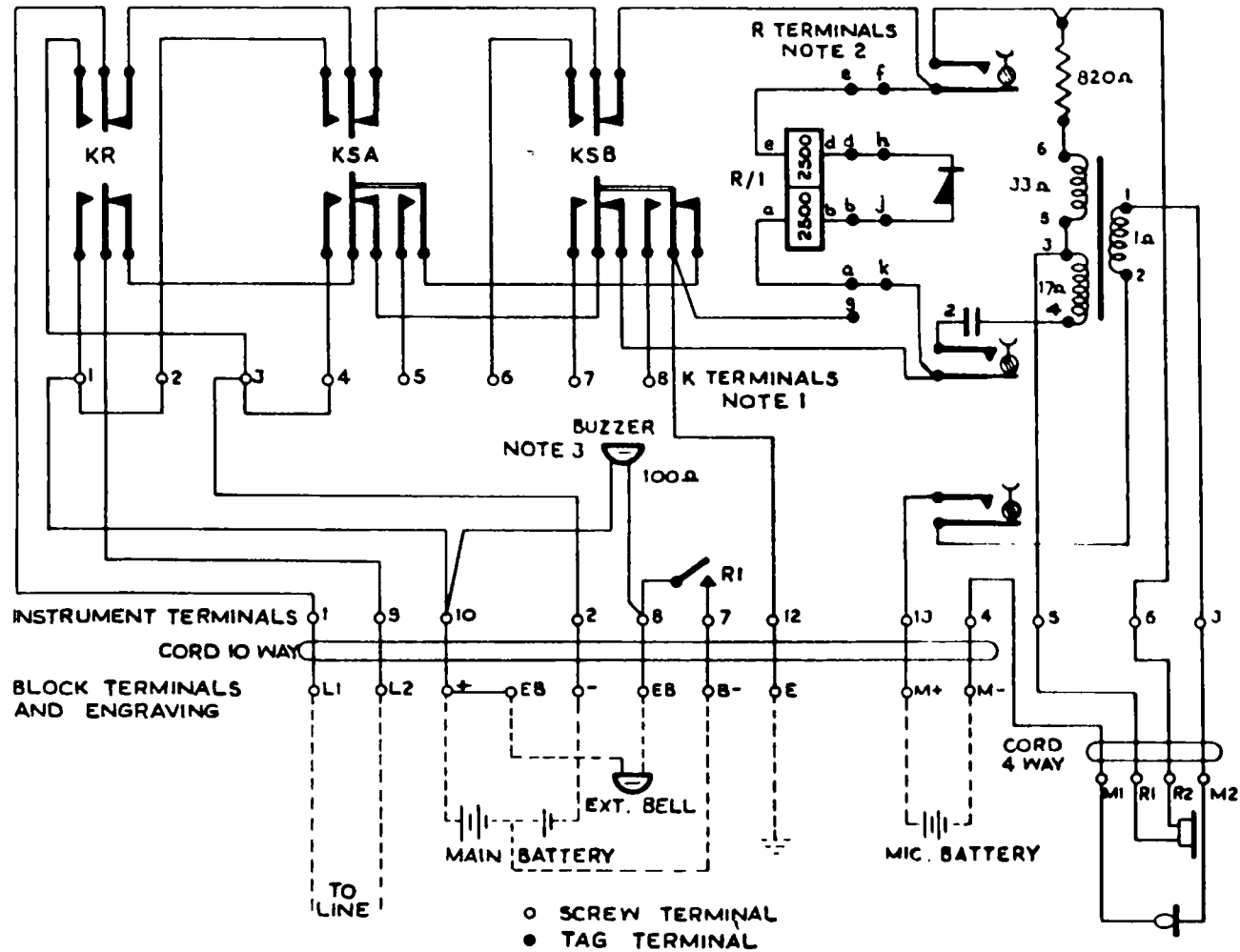


# SPECIFICATION No. BR 952 TABLE TELEPHONE - TYPES A & B.



**NOTE 1** KEY KSB SUPPLIED ONLY WHEN SPECIFIED.  
INSTRUMENT TO BE SUPPLIED WITH STRAPS BETWEEN 1,2 & 3,4  
FOR OUTGOING RINGING CONDITIONS STRAP K TERMINALS  
AS FOLLOWS:-

RINGING CONDITION	KSA	KSB
(i) E to L1 & L2	2,4 & 5 REMOVE 1,2 & 3,4	6,7 & 8
(ii) + to L1 & L2 - to EARTH	1,2 & 4 REMOVE 3 & 4	1,6 & 7 3 & 8
(iii) - to L1 & L2 + to EARTH	2,3 & 4 REMOVE 1 & 2	3,6 & 7 1 & 8

**NOTE 2** INSTRUMENT TO BE SUPPLIED WITH R TERMINALS  
STRAPPED AS SHOWN. RELAY TO OPERATE  
WITH + to L2 & - to L1  
FOR RELAY TO OPERATE WITH INCOMING RINGING  
CONDITIONS AS INDICATED BELOW, AMEND  
R TERMINAL STRAPPING AS FOLLOWS:-

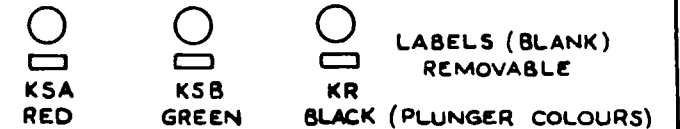
RINGING CONDITION	R TERMINAL STRAPPING
(i) - to L2 + to L1	a & k; b & h; d & j; e & f.
(ii) - to L1 & L2 + to EARTH	g & j; h, a, & d; k & b; e & f.
(iii) + to L1 & L2 - to EARTH	g & h; j, b & e; k & a; d & f.

FOR 1250 OHM RELAY RESISTANCE, AMEND R TERMINAL STRAPPING AS FOLLOWS:-

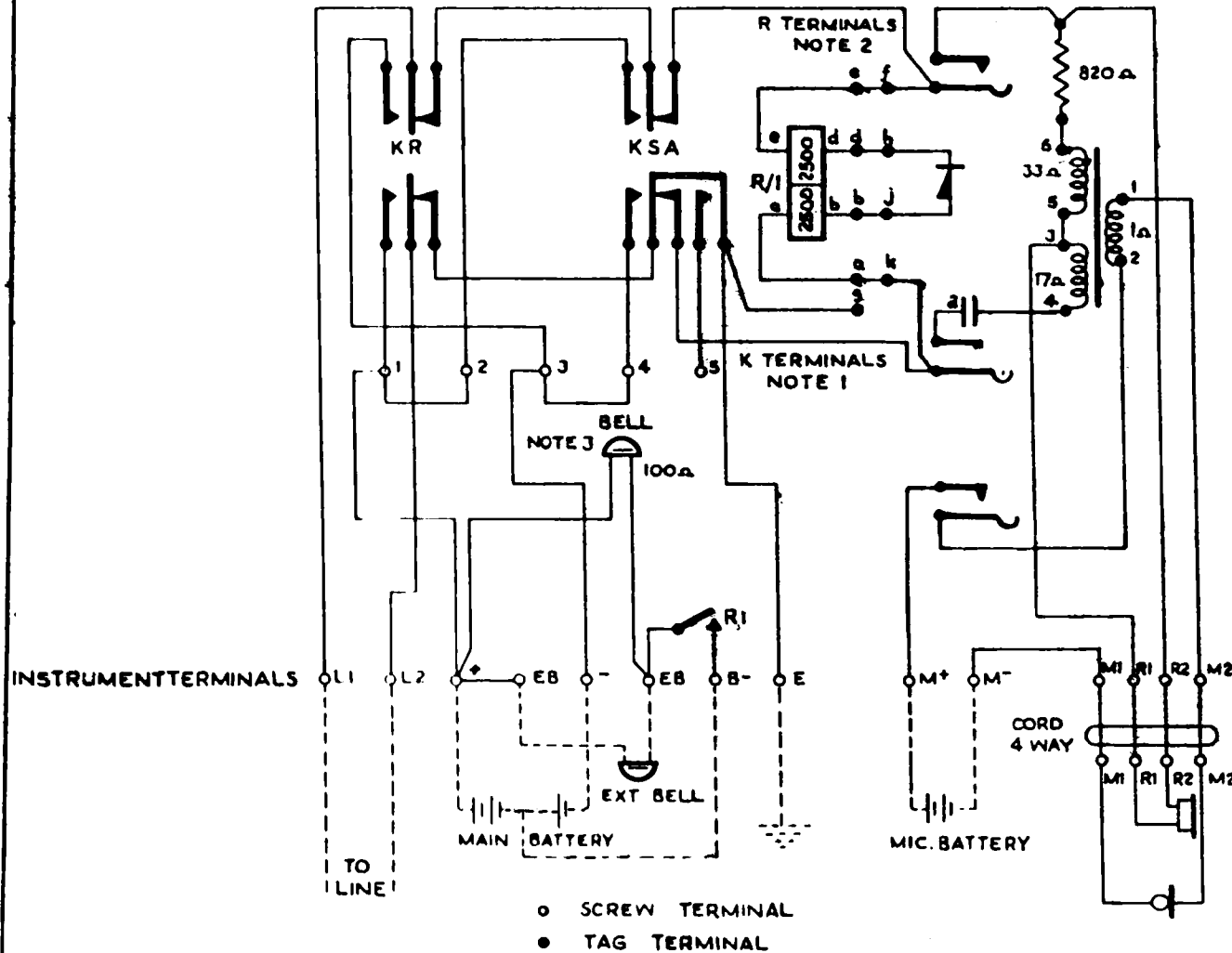
RINGING CONDITION	R TERMINAL STRAPPING
(i) + to L2 - to L1	k & j; h & a; b, e & f.
(ii) - to L2 + to L1	k & h; j, a & d; b, e & f.

**NOTE 3** WIRING TO PERMIT EASY DISCONNECTION OF BUZZER.  
LABELLING AND ARRANGEMENT OF RINGING KEYS

LISTEN BEFORE RINGING  
SPECIAL CODE



# SPECIFICATION No. BR 953. WALL TELEPHONE -TYPE A.



**NOTE 1** INSTRUMENT TO BE SUPPLIED WITH STRAPS BETWEEN 1,2 & 3,4 FOR OUTGOING RINGING CONDITIONS STRAP K TERMINALS AS FOLLOWS.

RINGING CONDITION	K.S.A.
(i) E to L1 & L2	2, 4 & 5 REMOVE 1, 2 & 3, 4
(ii) + to L1 & L2 - to EARTH	1, 2 & 4 J & 5 REMOVE 3 & 4
(iii) - to L1 & L2 + to EARTH	2, 3 & 4 1 & 5 REMOVE 1 & 2

**NOTE 2** INSTRUMENT TO BE SUPPLIED WITH R TERMINALS STRAPPED AS SHOWN. RELAY TO OPERATE WITH + to L2 & - to L1 FOR RELAY TO OPERATE WITH INCOMING RINGING CONDITIONS AS INDICATED BELOW. AMEND R TERMINAL STRAPPING AS FOLLOWS

RINGING CONDITION	R TERMINAL STRAPPING
(i) - to L2 + to L1	a & k; b & h; d & j; e & f.
(ii) - to L1 & L2 + to EARTH	g & j; h, a & d; k & b; e & f.
(iii) + to L1 & L2 - to EARTH	g & h; j, b & e; k & a, d & f.

FOR 1250Ω RELAY RESISTANCE, AMEND R TERMINAL STRAPPING AS FOLLOWS:-

RINGING CONDITION	R TERMINAL STRAPPING
(i) + to L2 - to L1	k & j; h, a & d; b, e & f.
(ii) - to L2 + to L1	k & h; j, a & d; b, e & f.

**NOTE 3** WIRING TO PERMIT EASY DISCONNECTION OF BELL LABELLING AND ARRANGEMENT OF RINGING KEYS

LISTEN BEFORE RINGING  
SPECIAL CODE

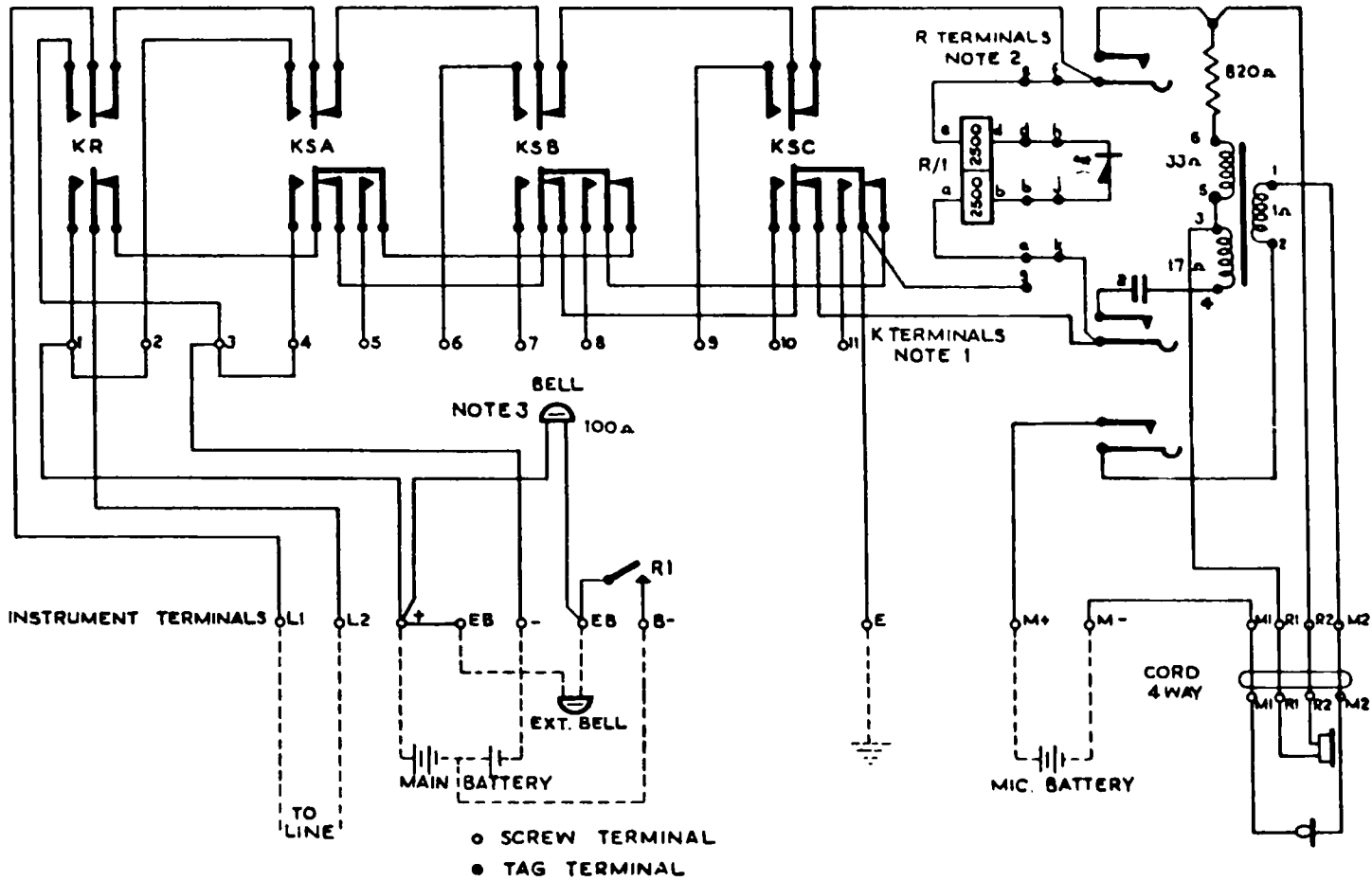
○  
—  
KSA  
RED

○  
—  
KR  
BLACK (PLUNGER COLOURS)

LABELS (BLANK)  
REMOVABLE

(PLUNGER COLOURS)

## SPECIFICATION No. BR 953. WALL TELEPHONE -TYPE B.



**NOTE 1** INSTRUMENT TO BE SUPPLIED WITH STRAPS BETWEEN 1,2 & 3,4 FOR OUTGOING RINGING CONDITIONS STRAP K TERMINALS AS FOLLOWS:-

RINGING CONDITION	KSA	KSB	KSC
(i) E to L1 & L2	2,4 & 5 REMOVE 1,2 & 3,4	6,7 & 8	9,10 & 11
(ii) + to L1 & L2 - to EARTH	1,2 & 4 REMOVE 3 & 4	1,6 & 7 3 & 8	1,9 & 10 3 & 11
(iii) - to L1 & L2 + to EARTH	2,3 & 4 REMOVE 1 & 2	3,6 & 7 3 & 8	3,9 & 10 1 & 11

**NOTE 2** INSTRUMENT TO BE SUPPLIED WITH R TERMINALS STRAPPED AS SHOWN. RELAY TO OPERATE WITH + to L2 & - to L1 FOR RELAY TO OPERATE WITH INCOMING RINGING CONDITIONS AS INDICATED BELOW, AMEND R TERMINAL STRAPPING AS FOLLOWS:-

RINGING CONDITION	R TERMINAL STRAPPING
(i) - to L2 + to L1	a & k; b & h; d & j; e & f.
(ii) - to L1 & L2 + to EARTH	g & j; h, a & d; k & b; e & f.
(iii) + to L1 & L2 - to EARTH	g & h; j, b & e; k & a; d & f.

FOR 1250 ohm RELAY RESISTANCE, AMEND R TERMINAL STRAPPING AS FOLLOWS:-

RINGING CONDITION	R TERMINAL STRAPPING
(i) + to L2 - to L1	k & j; h, a & d; b, e & f.
(ii) - to L2 + to L1	k & h; j, a & d; b, e & f.

**NOTE 3** WIRING TO PERMIT EASY DISCONNECTION OF BELL LABELLING AND ARRANGEMENT OF RINGING KEYS

LISTEN BEFORE RINGING  
 SPECIAL CODE

- |            |              |              |                               |                             |
|------------|--------------|--------------|-------------------------------|-----------------------------|
| ○          | ○            | ○            | ○                             | LABELS (BLANK)<br>REMOVABLE |
| KSA<br>RED | KSB<br>GREEN | KSC<br>WHITE | KR<br>BLACK (PLUNGER COLOURS) |                             |