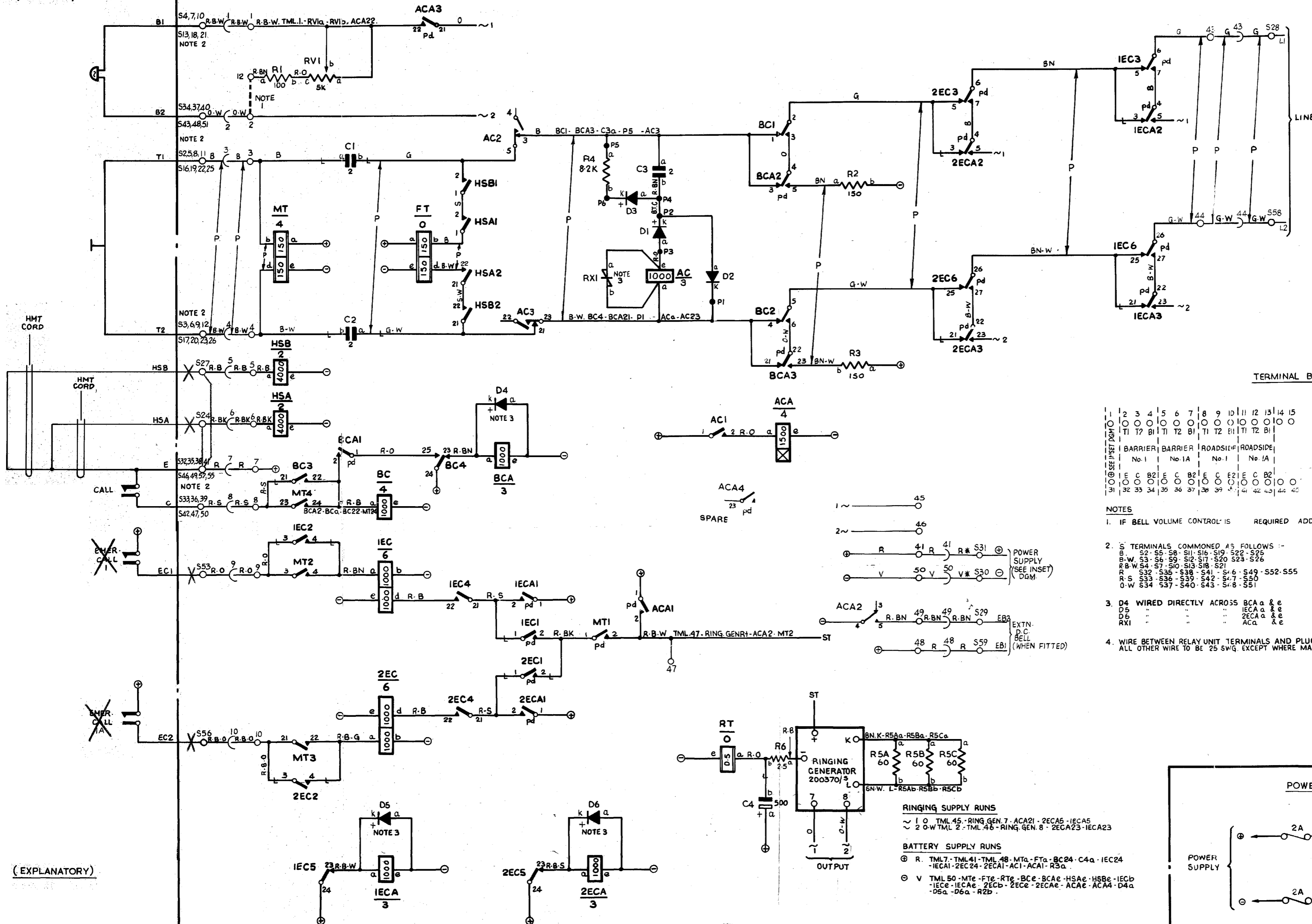


BARRIER/ EMERGENCY TELE

(20756B/SW)

BARRIER CONTROL UNIT

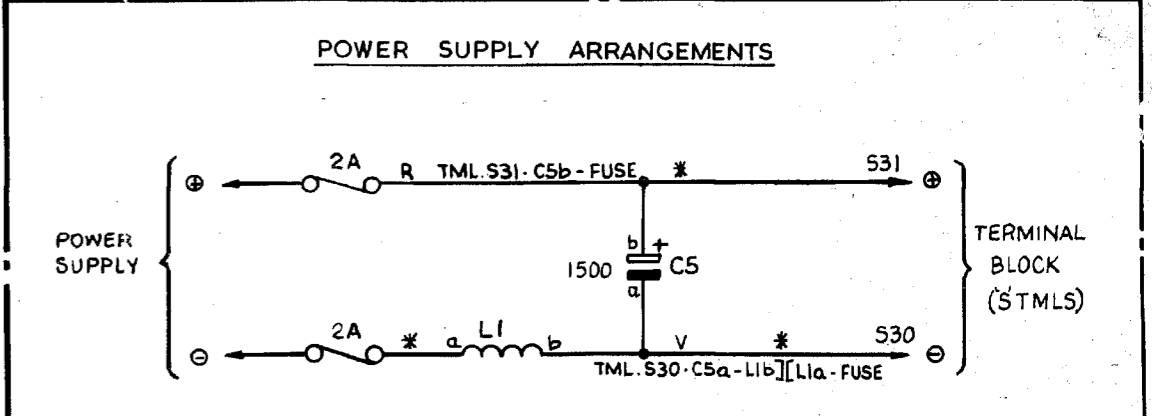


TERMINAL BLOCK (S'TMLS)

1	2	3	4	5	6	7	8	9	10	11	12	13	14	15	16	17	18	19	20	21	22	23	24	25	26	27	28	29	30			
○	○	○	○	○	○	○	○	○	○	○	○	○	○	○	○	○	○	○	○	○	○	○	○	○	○	○	○	○	○	○		
TI	T2	BI	TI	T2	BI	TI	T2	BI	TI	T2	BI	TI	T2	BI	TI	T2	BI	TI	T2	BI	TI	T2	BI	TI	T2	BI	TI	T2	BI	TI	T2	BI
BARRIER No. 1															BARRIER No. 1A																	
ROADSIDE No. 1															ROADSIDE No. 1A																	
ROADSIDE No. 2															ROADSIDE No. 2A																	
EMERGENCY No. X															EMERGENCY No. 1A																	
LINE															EXTN. BELL																	
SEE INSET DGM 00															SEE INSET DGM 00																	

- NOTES
- IF BELL VOLUME CONTROL IS REQUIRED ADD STRAP BETWEEN RELAY UNIT TERMINALS 2-12
 - 5 TERMINALS COMMONED AS FOLLOWS --
 B 52-55-58-511-516-519-522-525
 B-W 53-56-59-512-517-520-523-526
 R-B 54-57-510-513-518-521
 R 532-536-538-541-546-549-552-555
 R-S 533-536-539-542-547-550
 O-W 534-537-540-543-548-551
 - D4 WIRED DIRECTLY ACROSS BCA a & e
 D5 " " " " IECA a & e
 D6 " " " " 2ECA a & e
 RX1 " " " " ACA a & e
 - WIRE BETWEEN RELAY UNIT TERMINALS AND PLUG TO BE FLEX (14/0076-SW305). ALL OTHER WIRE TO BE 25 SWG, EXCEPT WHERE MARKED * WHICH IS TO BE 22 SWG.

(EXPLANATORY)



FOR FIXING IN CASE, SIZE OF DIAGRAM TO BE REDUCED TO 16" X 11" (407 mm X 280 mm)

DRN 6-11-69 WRG
 CKD CCT
 GPO CERTIFICATION

A1
A2

BARRIER COMMUNICATION SYSTEM
 BARRIER CONTROL RELAY UNIT
 REFERENCES
 BR FILE No. T 1165
 DRG. 207487/SW