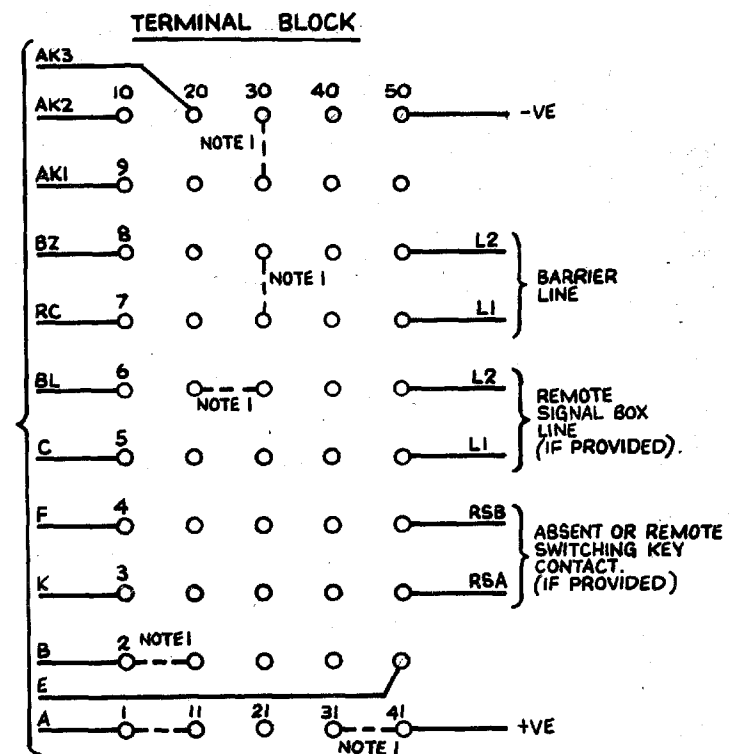
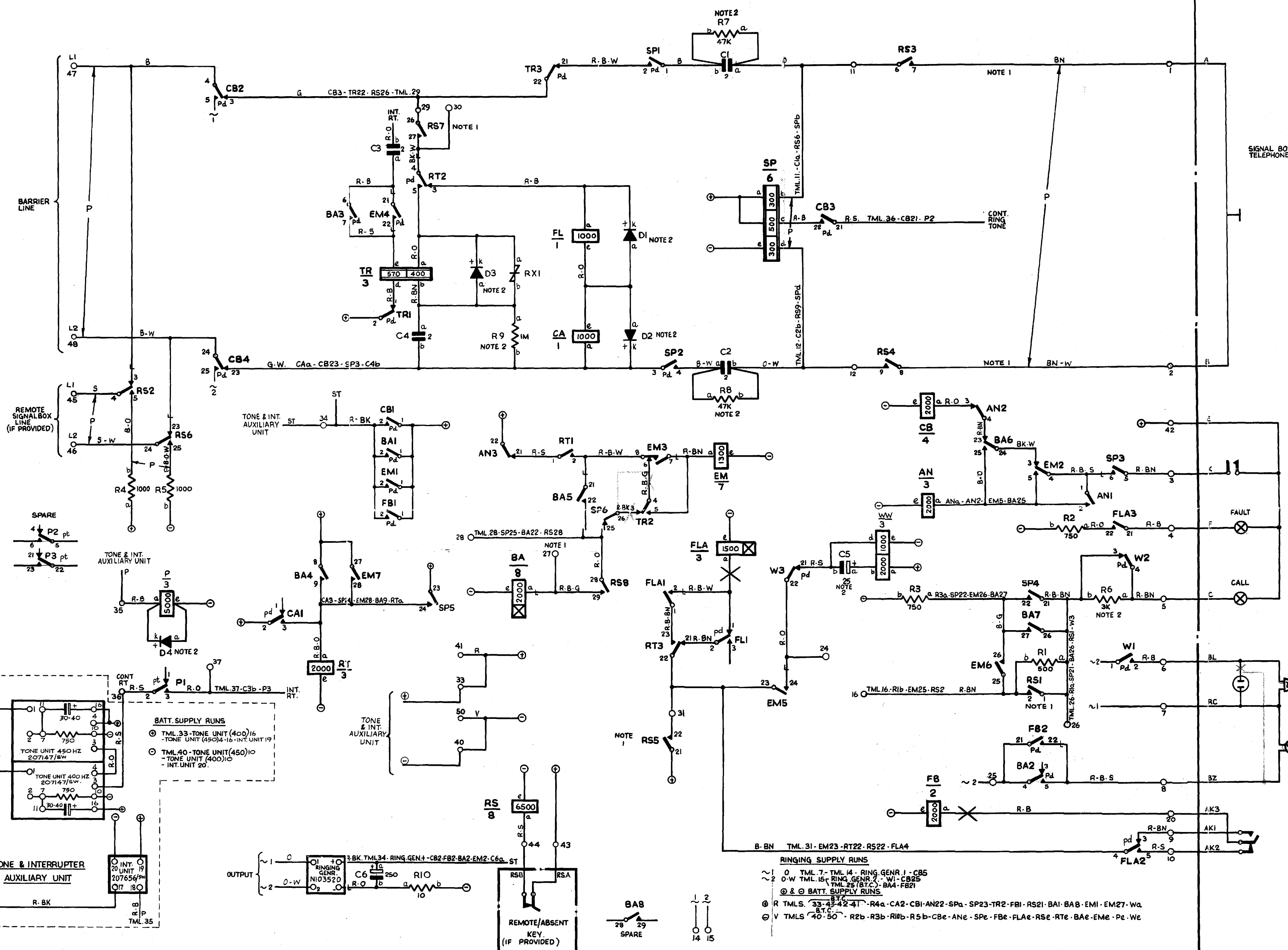
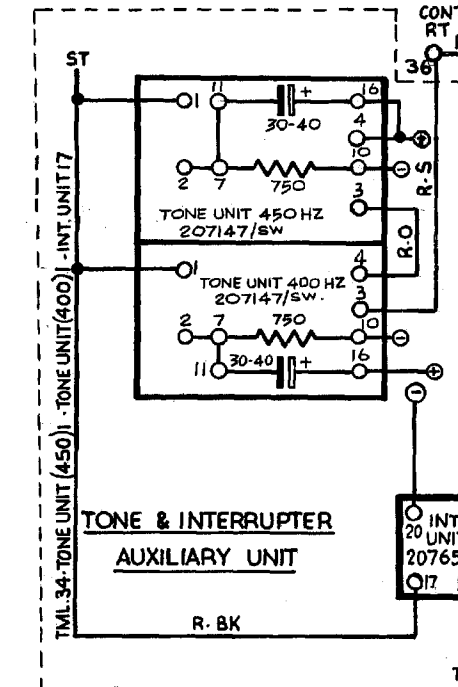


SIGNAL BOX UNIT



- NOTES**
- IF 'ABSENT OR REMOTE SWITCHING' FACILITIES ARE NOT PROVIDED STRAP TMLS. 1-11, 2-12, 16-26, 27-28, 29-30 & 31-41. IF 'ABSENT' FACILITY IS PROVIDED STRAP TMLS 29-30 ONLY. IF 'REMOTE SWITCHING' FACILITY IS PROVIDED, NO STRAPS ARE REQUIRED.
 - D1 WIRED DIRECTLY ACROSS FLA1 & CA1 & D2 D3 R4 R5 R6 R7 R8 R9 R10 R11 C5
 - ALL WIRE TO BE 25 S.W.G.

SIGNAL BOX TELE 207569/SW
EXPLANATORY ONLY



BATT. SUPPLY RUNS

- ⊙ TML 33-TONE UNIT (400)16 -TONE UNIT (450)4-16-INT UNIT 19
- ⊙ TML 40-TONE UNIT (450)10 -TONE UNIT (400)10 -INT UNIT 20

RINGING SUPPLY RUNS

- ~ 0 TML 7-TML 14-RING GENR 1-CB5
- ~ 1 0-W TML 16-RING GENR 2-WI-CB25
- ~ 2 TML 25 (B.T.C.)-BA4-FB21
- ⊙ & ⊙ BATT. SUPPLY RUNS
- ⊙ R TMLS 33-43-42-41-R4a-CA2-CB1-AN2-SPa-SP23-TR2-FB1-RS21-BA1-BA8-EMI-EM27-Wa
- ⊙ V TMLS 40-50-R2b-R3b-R10b-R5b-CBc-ANc-SPe-FBe-FLAe-RSe-RTe-BAe-EMe-Pe-We

DRN	WRG	PDR FIXING IN CASE, SIZE OF DIAGRAM TO BE REDUCED TO 1/2" x 5" (292 mm X 203 mm)	REFERENCES	50V E
CKD	CCT			BARRIER COMMUNICATION SYSTEM
A1		GPO CERTIFICATION	SIGNALBOX CONTROL RELAY UNIT	BR FILE No.
A2			MARKED UP TO SHOW PROPOSED MODIFICATIONS	T1166
TONE UNITS (ORIGINALLY TO DGM 2014831) SUPERSEDED, EXTERNAL COMPONENT VALUES AMENDED, 95676			DRG. 207488/SW	
ISS.	DATE	APPD.		