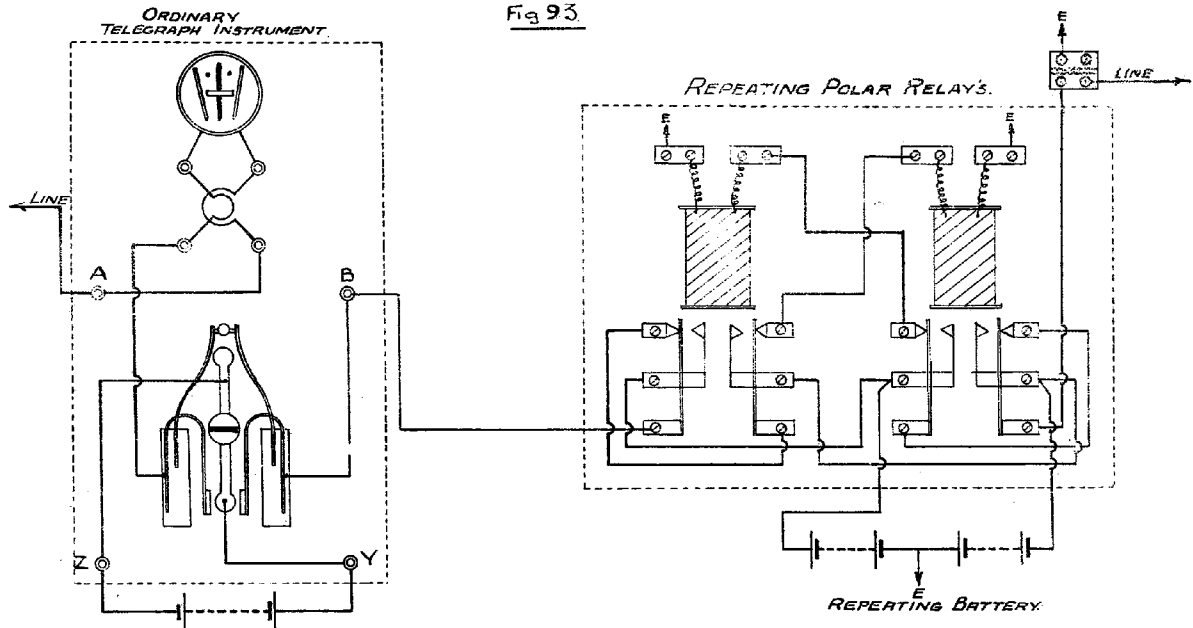


LNER STANDARD SINGLE NEEDLE TELEGRAPH CIRCUITS

DGM	TITLE	DATE
29-ES-276	TELEGRAPH REPEATING STATION	15-8-28
30-ES-191	DOUBLE-CURRENT SOUNDER WITH RELAY	7-7-37
30-ES-193	DIRECT SOUNDER	9-7-37
30-ES-201	SINGLE-CURRENT SOUNDER WITH RELAY	9-7-37
35-ES-280	ARRANGEMENTS FOR COMMON BATTERY WORKING FOR TERMINAL INSTRUMENTS	20-9-35
35-ES-336	ARRANGEMENTS FOR COMMON BATTERY WORKING ON THROUGH CIRCUITS	18-9-35

THESE DIAGRAMS ARE FROM JOHN MIDCALF'S COLLECTION, TO WHOM MANY
THANKS

Fig 93



Approved *A.S. Mansell*
 Signal & Telegraph Engineer
 Date 4.12.29

Approved *J. Nuttall*
 Assistant Engineer
 Date 6/12/29

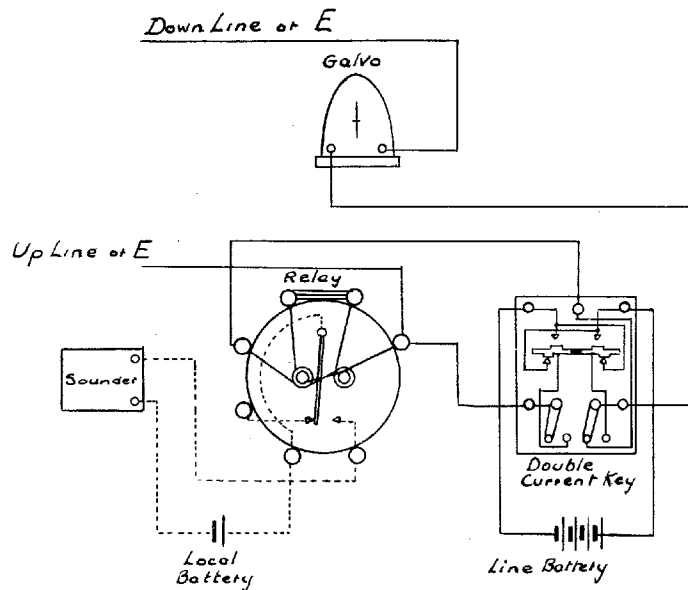
Approved *John Mee*
 Engineer
 Date 19.12.29

Drawn by	P. Peacock	Correct
Traced by	P. Peacock	Date
Checked by		

L.N.E.R. NORTH EASTERN AREA
 Wiring diagram for
 TELEGRAPH REPEATING
 STATION
 Drawing No 29-ES-276.
 ENGINEER'S OFFICE, YORK. 15-8-28

File	
Correspondence	
Authority	

32

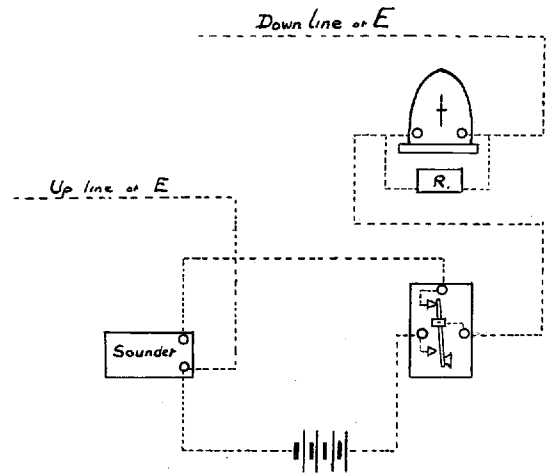


LNER NORTH EASTERN AREA
STANDARD WIRING FOR
DOUBLE CURRENT SOUNDER
with Relay
DRAWING N^o 30 ES 191
Engineer's Office York 18-6-30
7-7-37

DRAWN BY	W.A.	APPROVED	
EXAMINED BY	R.P.	<i>Charles</i> 11.3.38	<i>J. Hamson</i> 11.3.38

File	
Correspondence	
Authority	

30

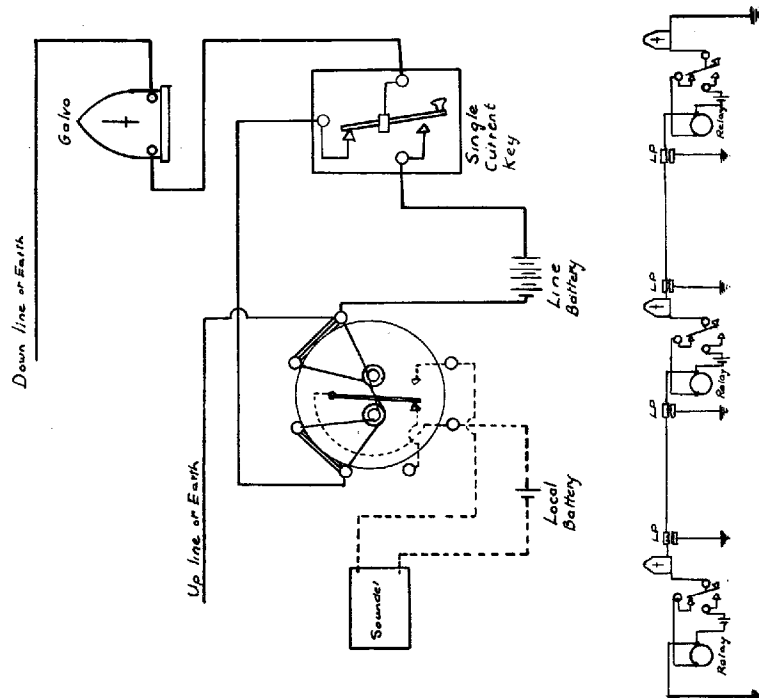


NB LIGHTNING PROTECTOR TO BE
INSERTED IN THE LINE

LNER NORTH EASTERN AREA
 STANDARD WIRING FOR
 DIRECT SOUNDER
 DRAWING N° 30 ES 193
 Engineers Office York 18-5-36
 9-7-37

DRAWN BY	W.F.	APPROVED	
EXAMINED BY	LL	<i>Clarke</i> 11.3.38	<i>Standa</i> 11.3.38

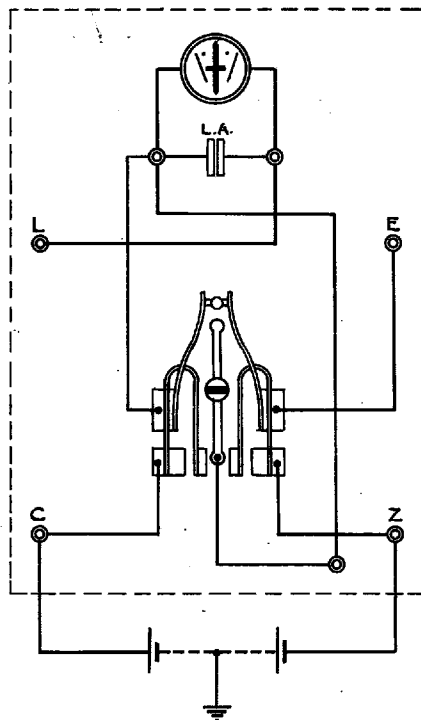
File	
Correspondence	
Authority	



LNER NORTH EASTERN AREA
STANDARD WIRING FOR
SINGLE CURRENT SOUNDER
WITH RELAY
DRAWING N° 30ES 201
Engineer's Office York

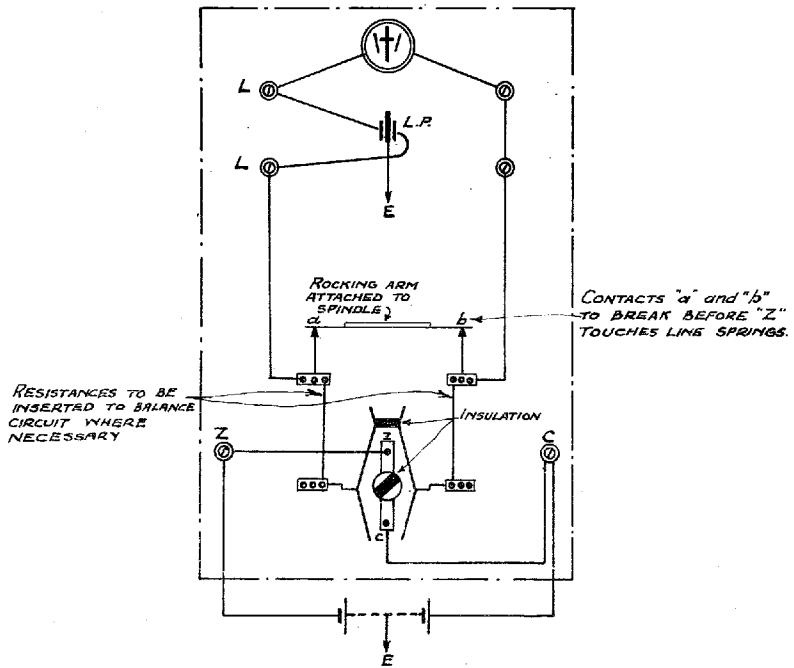
17-6-38
 9-7-38

DRAWN BY	REL.	APPROVED	
EXAMINED BY	P.P.	<i>Clarke</i>	<i>Stamoa</i>
		... 11.3.38	... 11.3.38



DRAWN BY	<i>R.P. Peacock</i>	CORRECT	APPROVED		
TRACED BY	<i>L.S.</i>	<i>R.P. Peacock</i>		<i>John Walker</i>	
CHECKED BY	<i>R. D. ...</i>	20-9-35	19 11 35	21. 11 35	

L.N.E.R. (N.E. AREA)
 Standard drawing of
S.N. SPEAKER
 Arrangement for Common Bty.
 Working for Terminal Insts.
 DWG. N° 35-ES-280
 Engineer's Office, YORK. 20-9-35



L.N.E.R. (N.E. AREA.)
 Standard drawing.
S.N. SPEAKER
 Arrangement for Common
 Bty. Working on through cts.
 Dwg. No 35-ES-336
 Engineer's Office, York 18-9-35

DRAWN BY	<i>R. Rank</i>	CORRECT	APPROVED		
TRACED BY	<i>R. Rank</i>	<i>dd</i>	<i>R. F. ...</i>		<i>John ...</i>
CHECKED BY	<i>H. Underbank</i>	19.9.35	<i>W. J. ...</i>		<i>21.11.35</i>