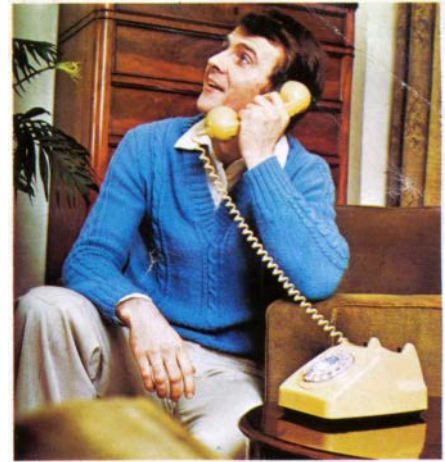


Extension Arrangements Plans 1, 1A and 4

Extension arrangements Plans 1 and 1A provide an extra fixed telephone or telephones on one line so that it can be used at several points.

Extension arrangement Plan 4 enables you, by means of sockets and a portable plug-in telephone, to make and receive calls at more than one point without paying for a separate fixed telephone instrument at each one.





Benefits of Extensions

At home

Domestic tasks need not be left unattended if an extension is conveniently sited.

Less chance of missing a call if extensions are placed upstairs and downstairs.

Bedside extensions are convenient at night or in the event of illness. A bell cut-off switch on some extensions can avoid unnecessary disturbance.

An extension can enable you to make a call from another room, avoiding interference with other activities.

Calls are less likely to be forgotten if a telephone is near at hand when a subject is remembered.

At the office

Extensions, conveniently sited, can save time and effort, and reduce noise.

They can allow staff greater mobility around an office as extensions can normally be provided so that they are always within easy reach.

Calls can be answered more quickly.

More than one member of staff can have a telephone instrument conveniently to hand.

Plan 1

How it operates

Incoming calls ring the bell in the main telephone only. Press buttons on the main telephone may be used to ring the bell at the extension so that when an exchange line call is in progress on the main telephone, the extension can be asked to take it over. The exchange line caller then talks to the extension and the handset on the main can be replaced without losing the call.

Facilities

The basic Plan 1 arrangement provides one extension telephone. The bell of the extension telephone is mounted separately from the instrument. Up to 3 Plan 1 internal extensions can normally be added (at extra cost) to the main telephone on an exchange line or private branch exchange (PBX) extension, although this can be increased in certain circumstances.

Any one of the telephones can initiate or answer a call.

Calls can be readily transferred from the main telephone to any of the extensions.

Plan 1A

How it operates

Incoming calls ring the bell in the main telephone. The bell in the extension will also ring unless it has been switched off. Any one of the telephones can initiate or answer a call.

Facilities

The basic Plan 1A arrangement provides one extension telephone. Up to 3 Plan 1A extensions can normally be added (at extra cost) to the main telephone on an exchange line or PBX extension although this can be exceeded in certain circumstances. External extensions up to a limited distance can be provided in certain cases at extra cost.

The bell in each extension telephone can be switched on or off as required.



Keyphones and Trimphones can be provided in most situations at additional cost. Further details are given below.

Plan 4

How it operates

Incoming calls ring the main bell, and the bell in the portable telephone if it is plugged in at the time. The telephone can be plugged into the socket at which you wish to receive an incoming call or make an outgoing call.

Facilities

The basic Plan 4 internal extension arrangement provides 2 sockets and a separate main bell. The exchange line or PBX extension telephone is supplied with a plug by means of which it can be plugged into either of the sockets. Additional sockets and portable telephones can be provided at extra cost.

The telephone cords, plugs and sockets are available in grey or ivory. Trimphones provided as portable telephones can be supplied with matching cords. The sockets are surface mounted but a type that is flush fitting may be provided if conduit and boxes have been provided by the customer.

Combinations of Extension Arrangements

Certain combinations of Plan arrangements 1, 1A and 4 are possible. For example, a customer, who prefers a plug and socket extension arrangement but wants to have a fixed main telephone, can do this by having a combination of Plans 1A and 4. This arrangement, in its simplest form (illustrated overleaf) provides a fixed main telephone, a portable telephone (the Plan 1A instrument but supplied with a plug), 2 sockets and, if requested, a separate bell.

Combinations of these plans with Plans 105 or 105A and 107 or 107A (see DLA 103) are also possible.

General Information

Additional bells can be provided with all of these extension arrangements at extra cost.

The main telephone in the Plan 1 arrangement can be either a tablephone or wallphone and is available in two-tone grey, ivory or black.

In all other cases tablephones can be provided in seven colours:— blue, yellow, red, two-tone green, two-tone grey, ivory or black. Wallphones (not appropriate to Plan 4) are available in two-tone grey, ivory or black.

Trimphones can be provided for a small additional rental in a choice of two-tone colours, grey, blue or green. If a Trimphone is the main telephone in the Plan 1 arrangement, only one extension telephone can be fitted. A Trimphone fitted as a Plan 1 extension telephone does not warble but has a bell mounted separately as in the case of all other Plan 1 extension telephones.

Self contained Keyphones, two-tone grey tablephones with a keypad instead of a dial, can be provided on Plans 1A and 4 for a connexion charge and an additional rental.

Where 2 or more Keyphones are on one exchange line or PBX extension a power unit is required. The unit can be fitted at any Keyphone, close by which the customer must provide a 3-pin power outlet of at least 3 amp rating.

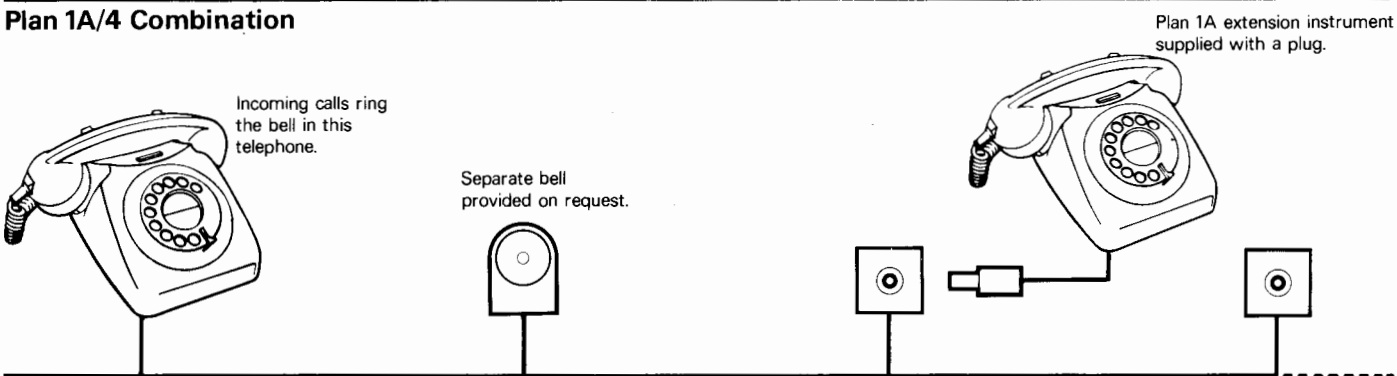
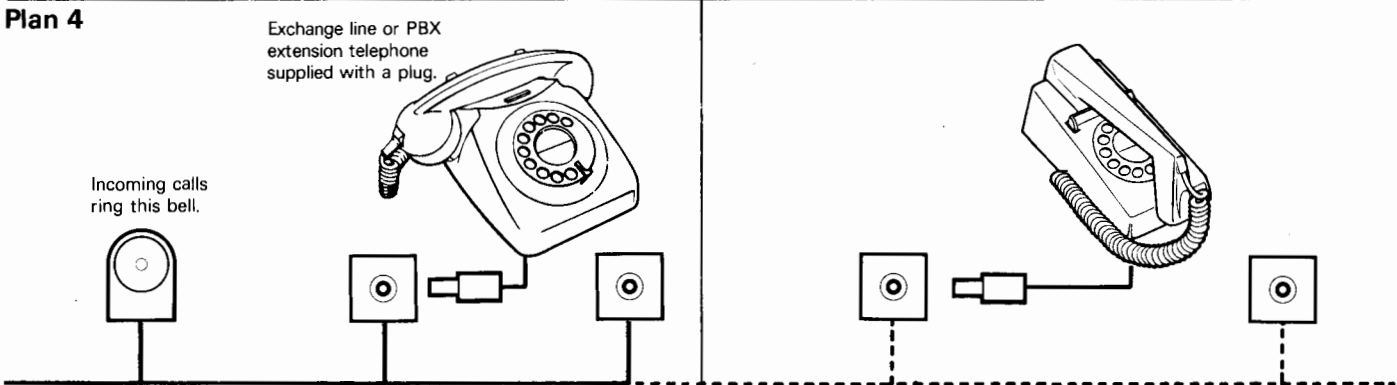
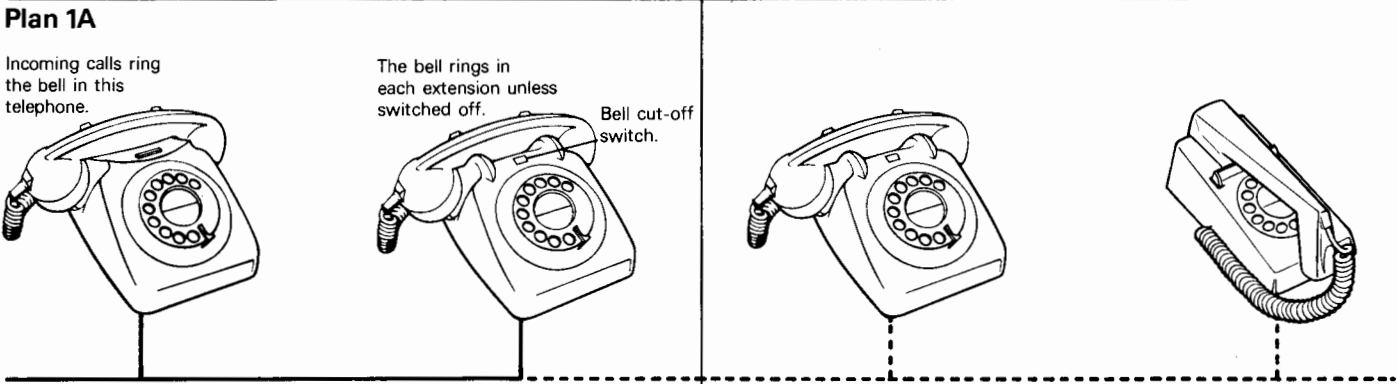
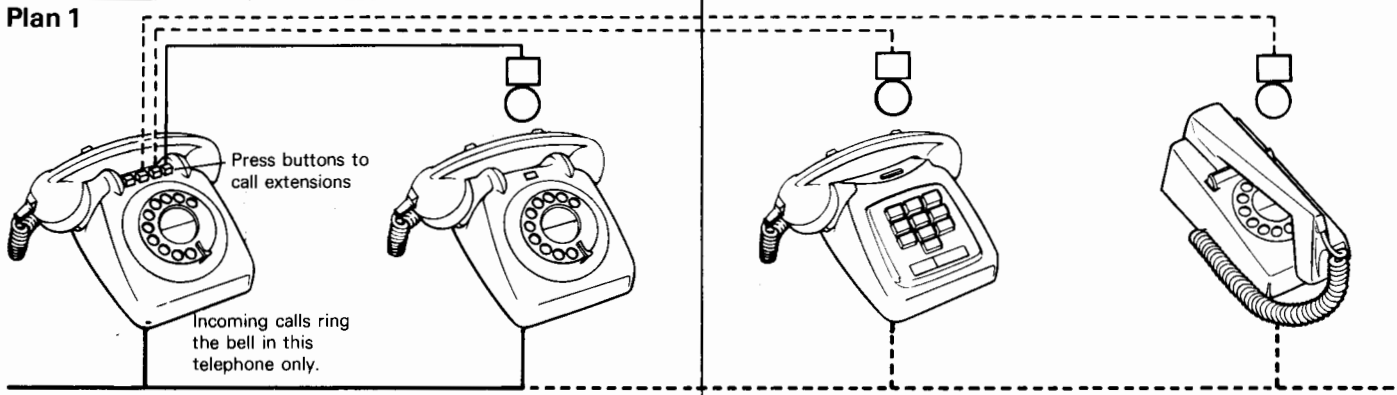
These plans are designed only as extensions to the exchange line or PBX extension to which they are connected and not as internal communication systems.

Any extensions on Plans 1 and 1A, and any additional telephone on Plan 4 can be prevented from making an outgoing call.

It is recommended that telephones or sockets are not fitted in bathrooms.

Basic Arrangements

Some possible additions



Please note

We do our best to supply our customers with the apparatus they ask for but we may have to provide apparatus which does not accord exactly with the descriptions and illustrations in this leaflet.

Your Telephone Sales Office will gladly supply any further or up-to-date information. The address and telephone number are shown in the preface of your telephone directory.