

Speakersets 1 and 2

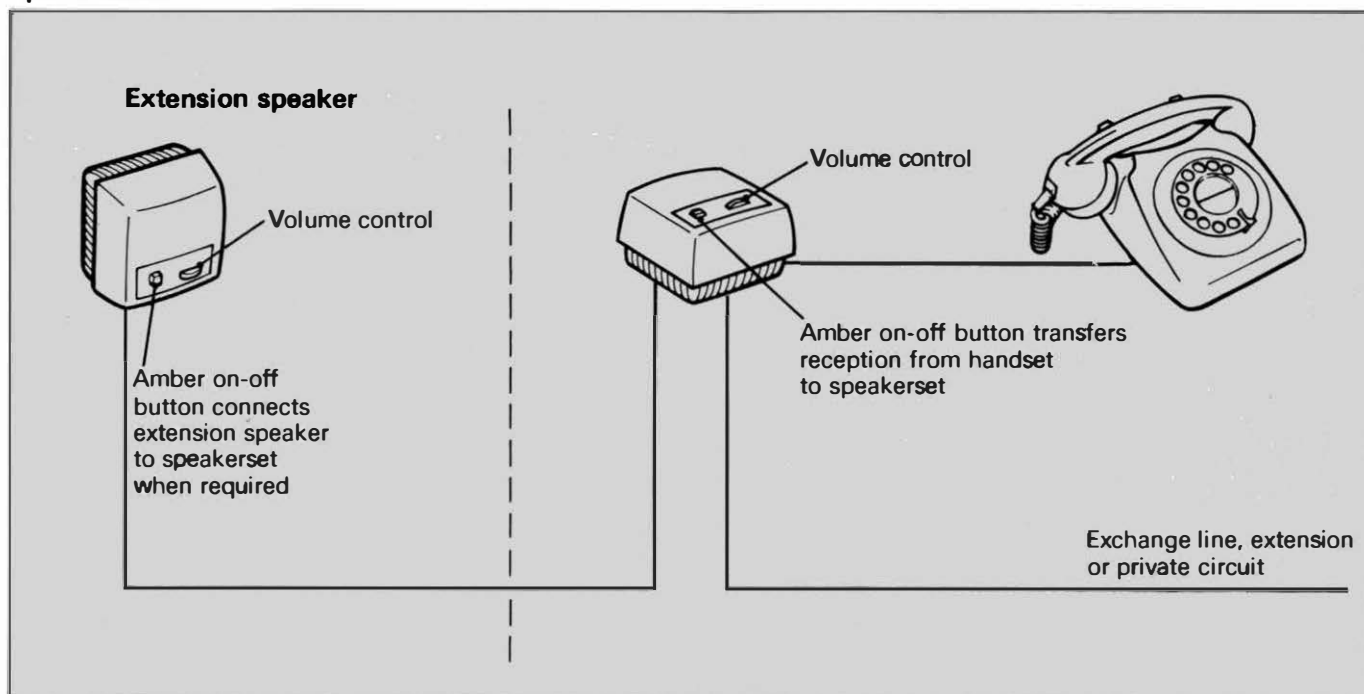
These compact units amplify incoming speech sufficiently for it to be heard by a group of people.

They enable the user to have both hands free while waiting for a call to be answered or to make notes during a call.

They do not transmit outgoing speech; this is done in the normal way by using the telephone handset.



Speakerset 1



Benefits

- Incoming information can be heard by a number of people in one office.
- By using an extension speaker incoming information can be heard in two offices in the same premises.
- Individual control and volume buttons on extension speaker enable controlled circulation of information.

Description

The speakerset 1 unit consists of an amplifier, loudspeaker, volume control, and an amber on-off button containing a pilot lamp. It can be used on exchange lines, PBX extensions and private circuits.

This speakerset, amplifies incoming speech to allow information or commentaries to be relayed to a large room or offices.

An extension unit containing a loudspeaker, volume control, and an on-off button without lamp can be provided for an additional charge.

How it operates

Calls are made and received by using the telephone in the normal way. The speakerset can be switched on at any time during an incoming call but only after dialling on an outgoing call.

When the speakerset is switched on, incoming speech or call tones, are transferred from the telephone handset to the loudspeaker. The line is held by the speakerset, the handset is by-passed and it can be laid down or replaced on the receiver rest.

If the handset has been laid down, the call is restored to the telephone handset by switching off the speakerset. If the handset has been replaced on the receiver rest, then switching off the speakerset will end the call.

Facilities

The amber on-off button lights up while the speakerset is on.

The volume of sound from the speakerset and from the extension speaker can be adjusted independently to the required level. The volume of the extension will however always be slightly less than that from the speakerset.

A call can be restored to the handset at any time during its progress by switching off the speakerset. Replacing the handset will then end the call.

The speakerset 1 can be associated with the main and extension telephones of plans 1, 1A, 9, 12A, 108 and 108A, and with the main telephone of plans 105, 105A, 107 and 107A.

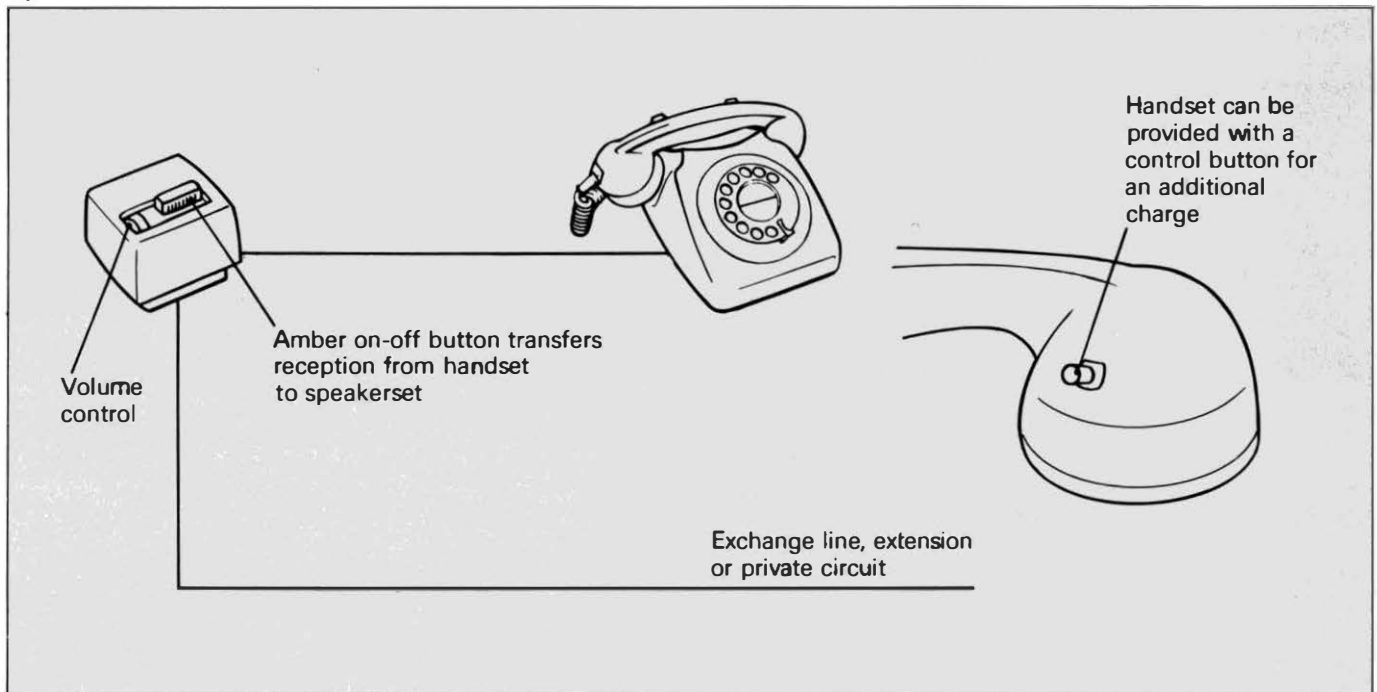
General information

The speakerset can be table top or wall-mounted, but extension speakers must be wall-mounted.

Both units are grey.

The installation is mains-powered from a 3-pin socket outlet, of at least 2-amp rating, provided by the customer. The power unit, in dark grey case, is wall-mounted near the telephone connecting point.

Speakerset 2



Benefits

- Both hands free to make notes of incoming information.
- Incoming information can be heard by a small group of people in an office.
- Freedom of movement to consult files while listening to reports.
- Progress of outgoing calls can be monitored, by listening to dialling and other tones and for the called party reply.

Description

The speakerset 2 unit consists of an amplifier, loudspeaker, volume control and an amber on-off button containing a pilot lamp. It can be used on exchange lines, PBX extensions and private circuits.

A special handset which incorporates an on-off switch in the earpiece, can be provided for an additional charge.

This speakerset, which stands near the telephone, amplifies incoming speech sufficiently for it to be heard by an individual or small group of people.

How it operates (normal arrangement)

Calls are made and received by using the telephone in the normal way. The speakerset can be switched on at any time during an incoming call but only after dialling on an outgoing call. When the speakerset is switched on, incoming speech, or call tones are transferred from the telephone handset to the loudspeaker. The line is held by the speakerset, the handset is by-passed, and the handset can be laid down or replaced on the receiver rest.

If the handset has been laid down, the call is restored to the handset by switching off the speakerset. If the handset has been replaced on the receiver rest, then switching off the speakerset will end the call.

How it operates (handset control)

The speakerset on-off button is left pressed down, but the speakerset is 'off' when the handset is on its rest.

A call is made by lifting the handset, with the control button in its released position, listening for dialling tone on the speakerset and then dialling.

When the call is answered the caller presses and locks the handset control button to speak. This silences the speakerset. Releasing the button during the call, switches back to the speakerset. At no time is outgoing speech heard through the speakerset.

A call is ended by replacing the handset with its control button in the released position. The speakerset 2 with the handset control can be operated as with the normal arrangement described above, if the handset control button is locked down throughout a call. The handset control can only be provided on standard telephone instruments.

Facilities

The amber on-off button lights up while the speakerset is on.

The volume of sound from the speakerset can be adjusted from the level required by an individual to that for a small group of people.

A call can be restored to the handset at any time during its progress. The additional handset button facility makes it easier to switch from one to the other.

The Speakerset 2 can be associated with the main and extension telephones of plans 1, 1A, 9, 12A, 108 and 108A, and with the main telephone of plans 105, 105A, 107 and 107A.

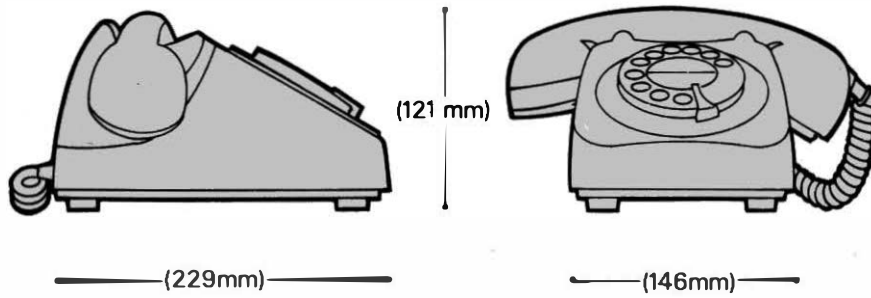
General information

The speakerset stands near the telephone. It can be provided in grey or ivory.

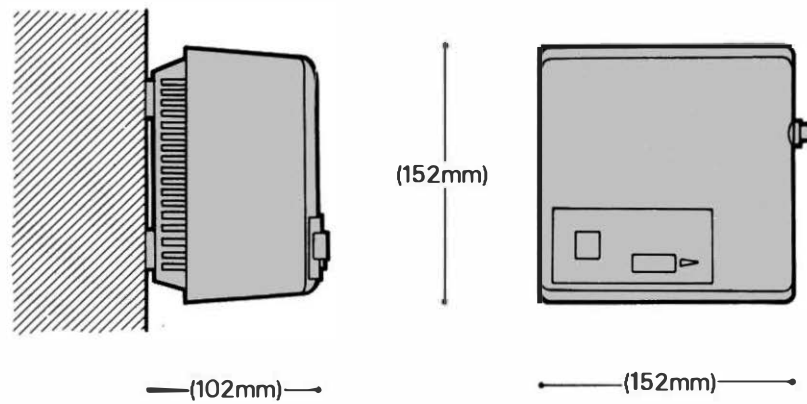
A separate power unit is not required as the amplifier draws power from the telephone line.

Dimensions

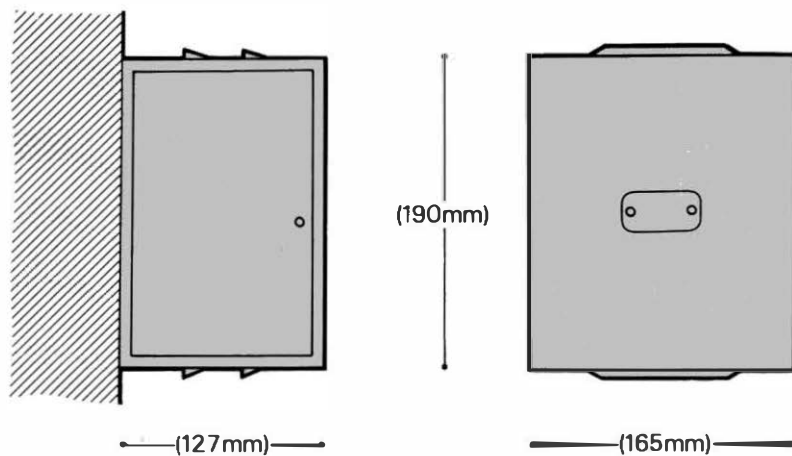
Telephone



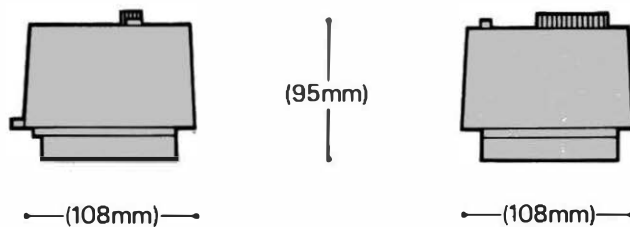
Speakerset 1



Power unit



Speakerset 2



Please note

We do our best to supply our customers with the apparatus they ask for but we may have to provide apparatus which does not accord exactly with the descriptions and illustrations in this leaflet.

Your Telephone Sales Office will gladly supply any further or more up-to-date information. The address and telephone number are shown in the preface of your telephone directory.