

## 130-TYPE TELETYPEWRITER SUBSCRIBER SET INSTALLATION

### 1. GENERAL

**1.01** This section describes the procedures to be followed when a 130-type Teletypewriter Subscriber Set, equipped with a 43A1 carrier channel terminal, is installed at a customer's premises.

**1.02** This section is reissued to add information concerning modifications to the 130C1 Teletypewriter Subscriber Set and to agree with Issue 10D of SD-70847-01 which covers the subscriber sets. Although the 130B2 Subscriber Set has been rated Manufacture Discontinued, information on this subscriber set is retained for those sets still in operation. Due to extensive changes, change arrows have been omitted.

**1.03** It is assumed that, prior to being dispatched for the installation, the 43A1 carrier channel terminal has been tested and is known to be in operating condition.

**Caution:** Do NOT connect power to the 130-type Subscriber Set until ALL installation and connection work has been completed and the 43A1 carrier channel terminal is installed in the 130-type Subscriber Set.

**1.04** Installation of the 130-type Teletypewriter Subscriber Set shall be in accordance with the section covering such installations [ie, Electrical Service for Teletypewriter Apparatus (570-003-010), Rectifiers for Teletypewriter Station Apparatus, Installation (570-302-200), etc].

**1.05** Installation tests and adjustments to be made after the installation work has been completed will be found in the section entitled 130-Type Teletypewriter Subscriber Set, Tests and Adjustments (570-303-503).

**1.06** Verify that the overall facilities have been tested and meet the transmission requirements specified in the section entitled Private Line Data

Circuits, Voice Bandwidth Circuits for Miscellaneous Data, Over-All Tests and Requirements (314-410-500). When the facilities are to be used for 150-baud service, the overall facilities should meet the requirements specified in the section entitled Data Systems—Common Circuits, Equipment, and Procedures—Testing of Pairs for Data Circuits (314-850-500).

### 2. INSTALLATION

**2.01** Verify that send (453-type) and receive (454-type) networks are of correct frequency specified for installation. Midband, upper and lower frequencies, and the network codes are given in Table A.

**Note:** Check that correct 43A1 carrier channel terminal has been provided. J70112A, List 8 and 9 provide for single bandwidth (up to 74.2 baud), neutral loop operation while J70112A, List 8 and 11 provide for double bandwidth (150 baud) neutral loop operation.

**2.02** Check that networks and 43A1 channel terminal are secure in their connectors.

**2.03** Connections required for the installation of a 130B2 Subscriber Set operating with a customer-owned teletypewriter are shown in Fig. 1.

**2.04** Connections required for a 130-type Subscriber Set, used with a Data Auxiliary Set (DAS) 816A to provide an Electronic Industries Association interface for customer equipment, are shown in Fig. 2. For multiple installations requiring the use of a DAS 816B, connections are shown in the section entitled Data Auxiliary Set 816-Type—Installation and Connections (598-041-200).

TABLE A

MID-BAND FREQ. (Hz)	FREQ. SHIFT (Hz)	HIGHER FREQ. (Hz)	LOWER FREQ. (Hz)	SEND NETWORK	REC. NETWORK
<b>VOICE FREQUENCY BAND</b>					
425	±35	460	390	453AE	454AE
595	±35	630	560	453A	454A
765	±35	800	730	453B	454B
935	±35	970	900	453C	454C
1105	±35	1140	1070	453D	454D
1275	±35	1310	1240	453E	454E
1445	±35	1480	1410	453F	454F
1615	±35	1650	1580	453AA	454AA
1785	±35	1820	1750	453G	454G
1955	±35	1990	1920	453H	454H
2125	±35	2160	2090	453J	454J
2295	±35	2330	2260	453K	454K
2465	±35	2500	2430	453L	454L
2635	±35	2670	2600	453M	454M
2805	±35	2840	2770	453AB	454AB
2975	±35	3010	2940	453AC	454AC
3145	±35	3180	3110	453AD	454AD
<b>HIGH FREQUENCY BAND</b>					
3550	±40	3590	3510	453W	454W
3750	±40	3790	3710	453Y	454Y
3950	±40	3990	3910	453N	454N
4150	±40	4190	4110	453P	454P
4360	±45	4405	4315	453R	454R
4580	±45	4625	4535	453S	454S
4810	±50	4860	4760	453T	454T
5050	±50	5100	5000	453U	454U
<b>150 BAUD VOICE FREQUENCY BAND</b>					
1360	±70	1430	1290	453AK	454AK
1700	±70	1770	1630	453AL	454AL
2040	±70	2110	1920	453AM	454AM
2380	±70	2450	2310	453AN	454AN
2720	±70	2790	2650	453AP	454AP
3060	±70	3130	2990	453AR	454AR

STATION IDENTIFICATION

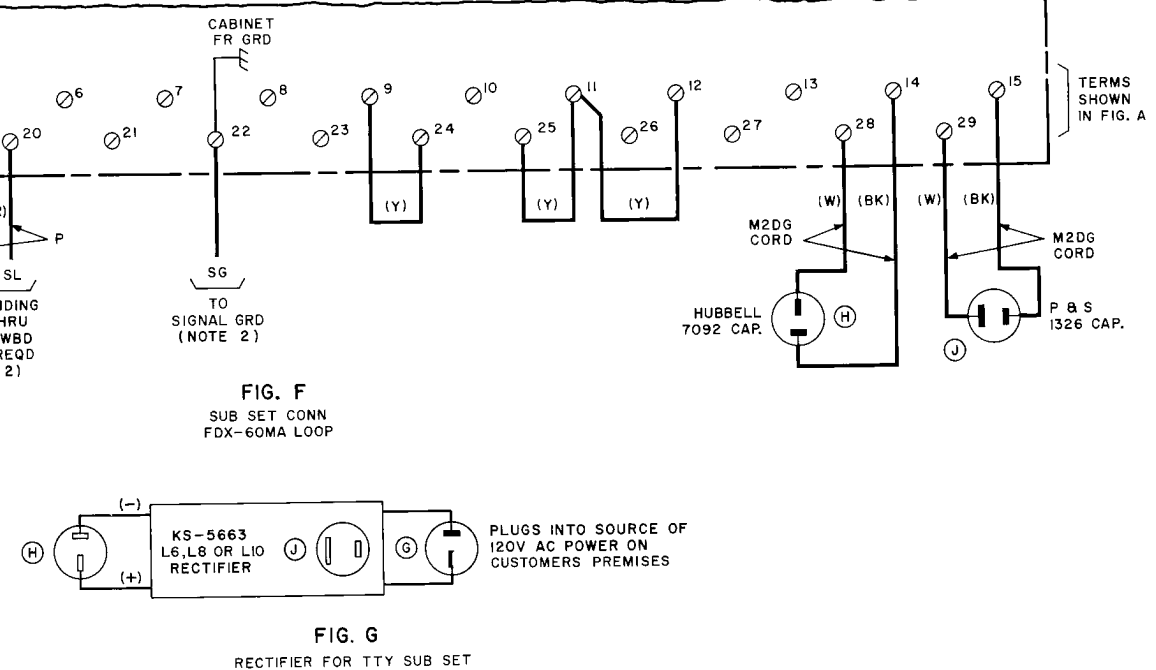
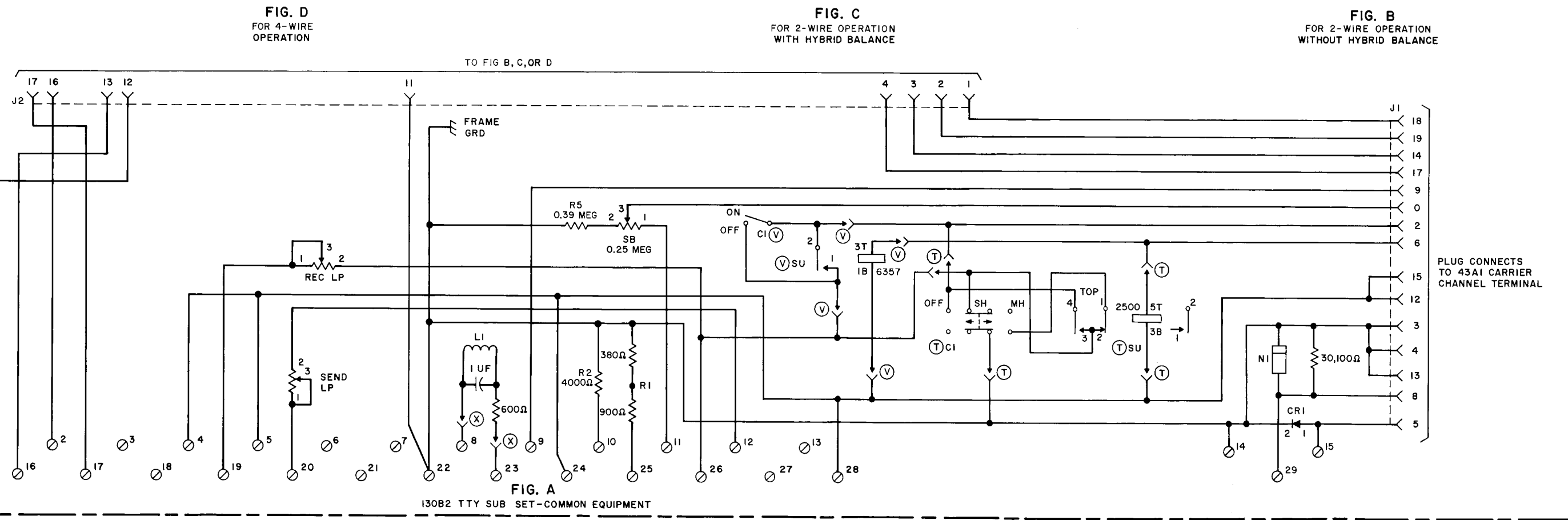
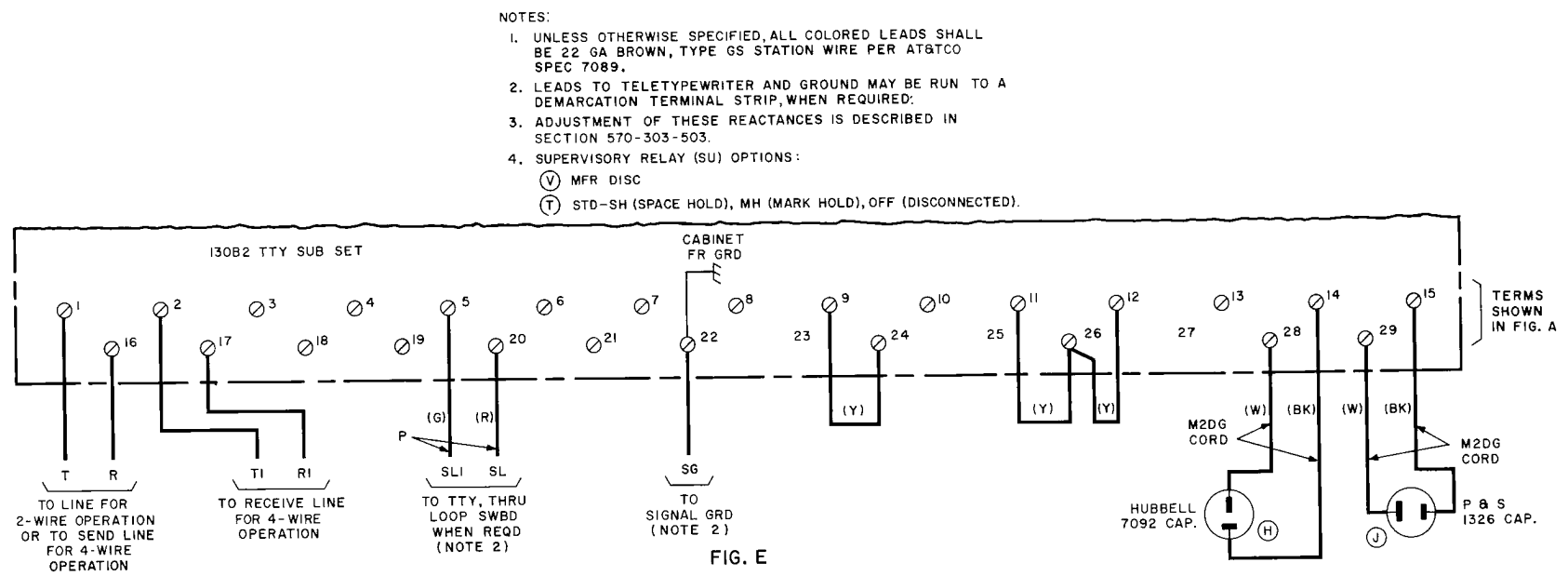
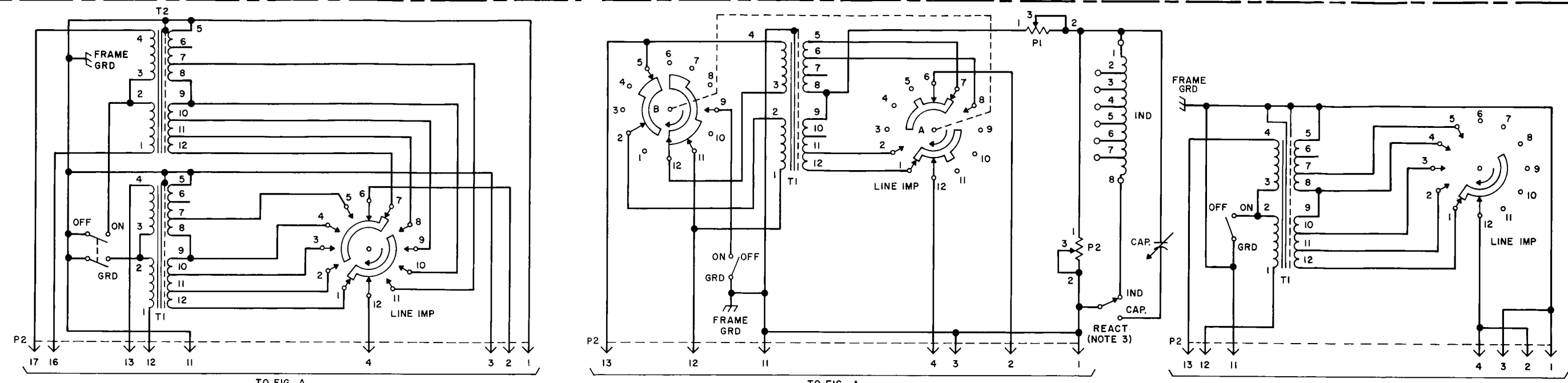


Fig. 1—Teletypewriter Station Wiring, 130B2 Teletypewriter Subscriber Set, Private Line Service, Customer-Owned Teletypewriter

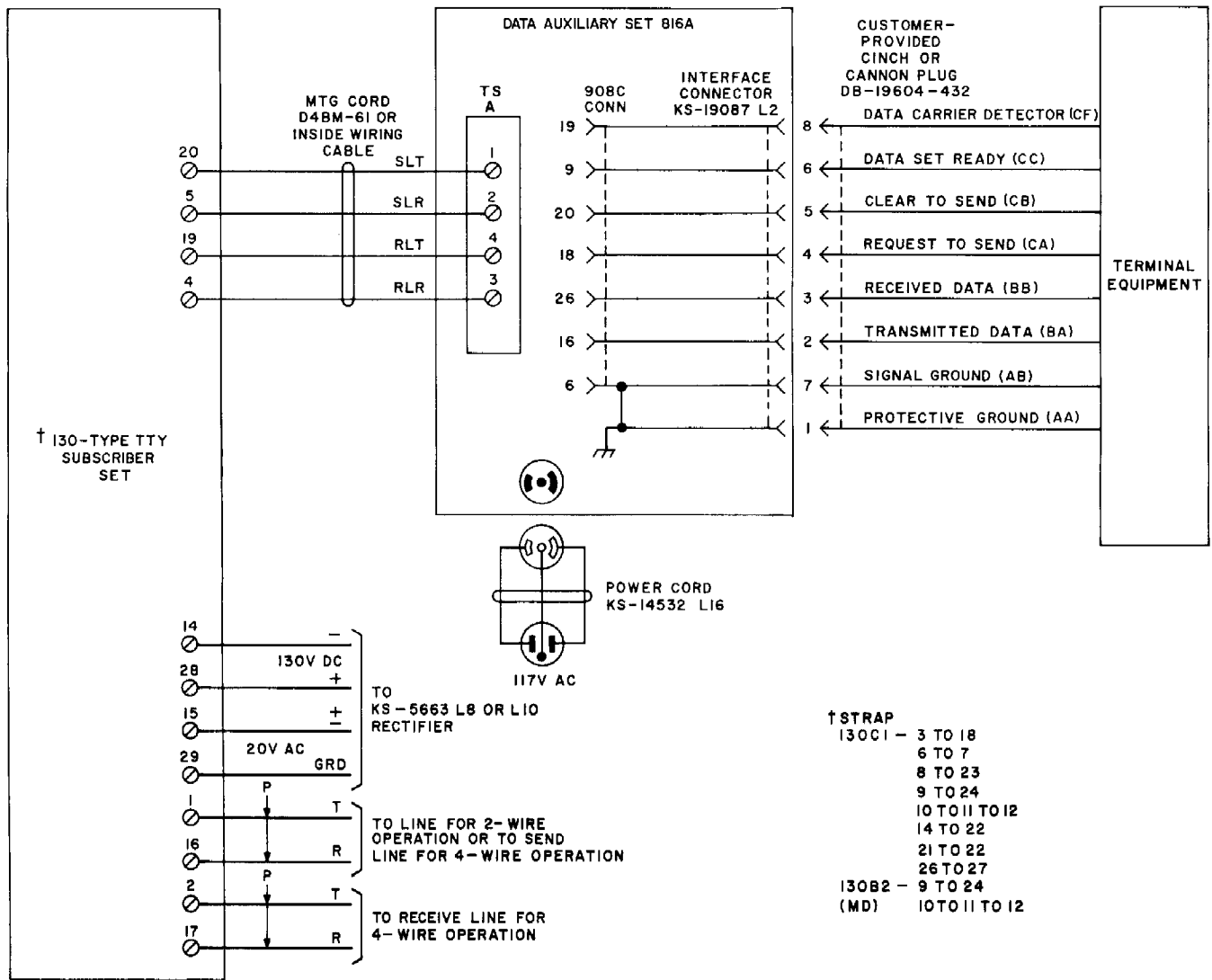


Fig. 2—Connections, Single Unit Installation Data Auxiliary Set 816A

2.05 For all other types of installations, refer to the following publications:

- For Model 28 Stations—Teletypewriter Station Coding Plan (TP 581.000)

- For Model 33, 35, and 37 Stations—Bell System Teletypewriter Station Engineering Arrangements (BSTSEA).