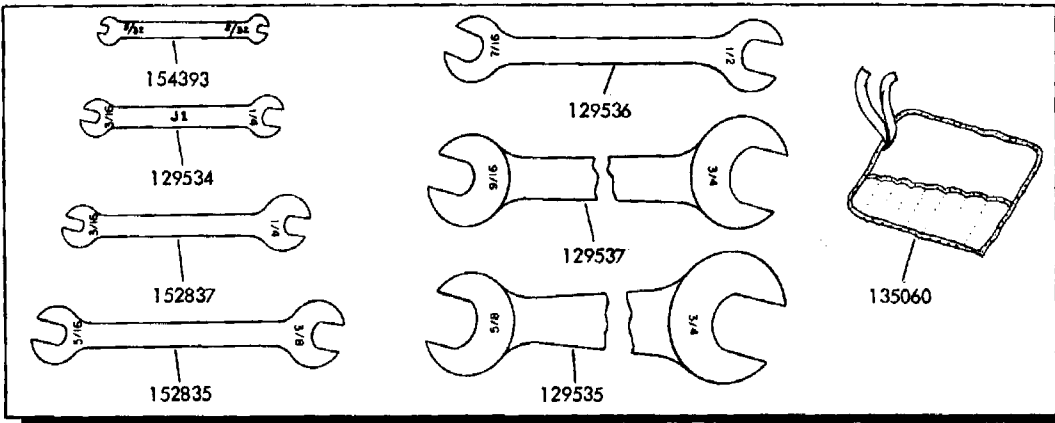
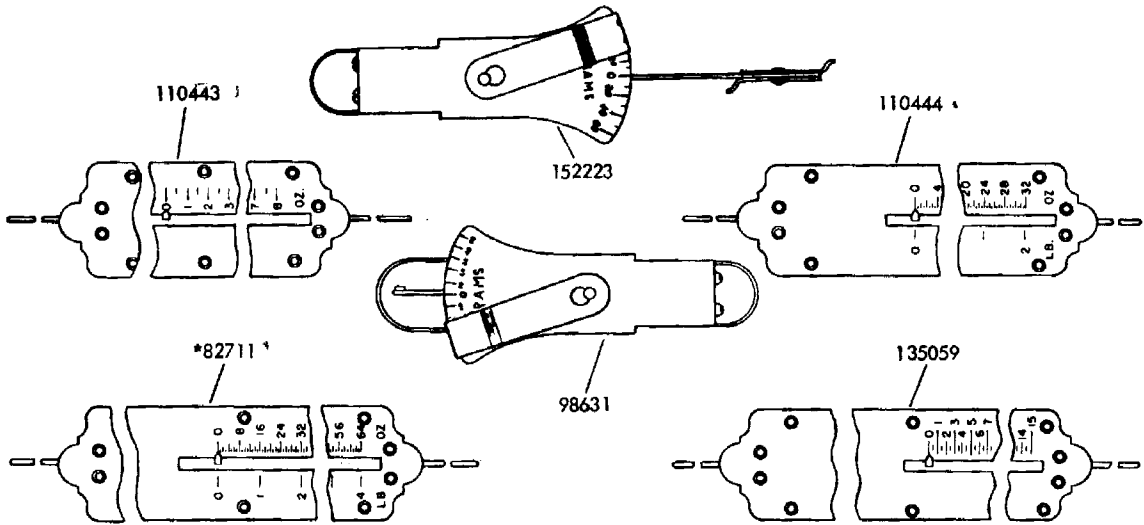
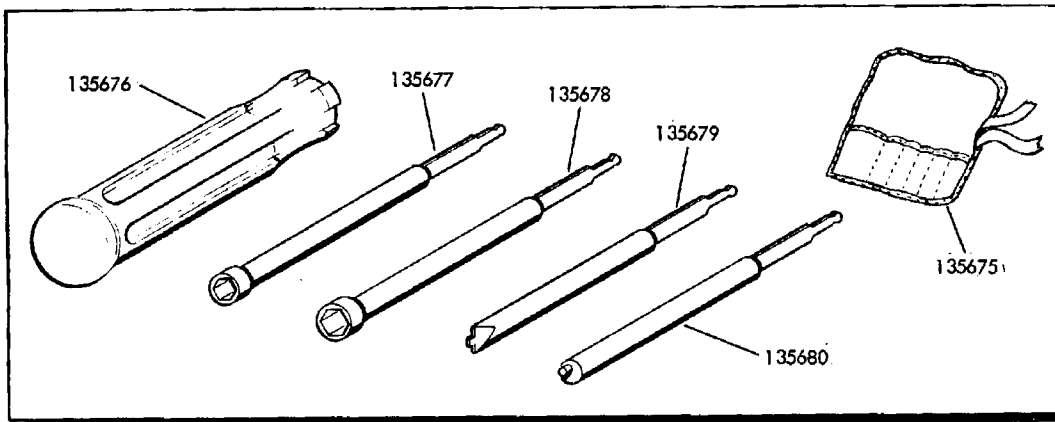


MAINTENANCE TOOLS

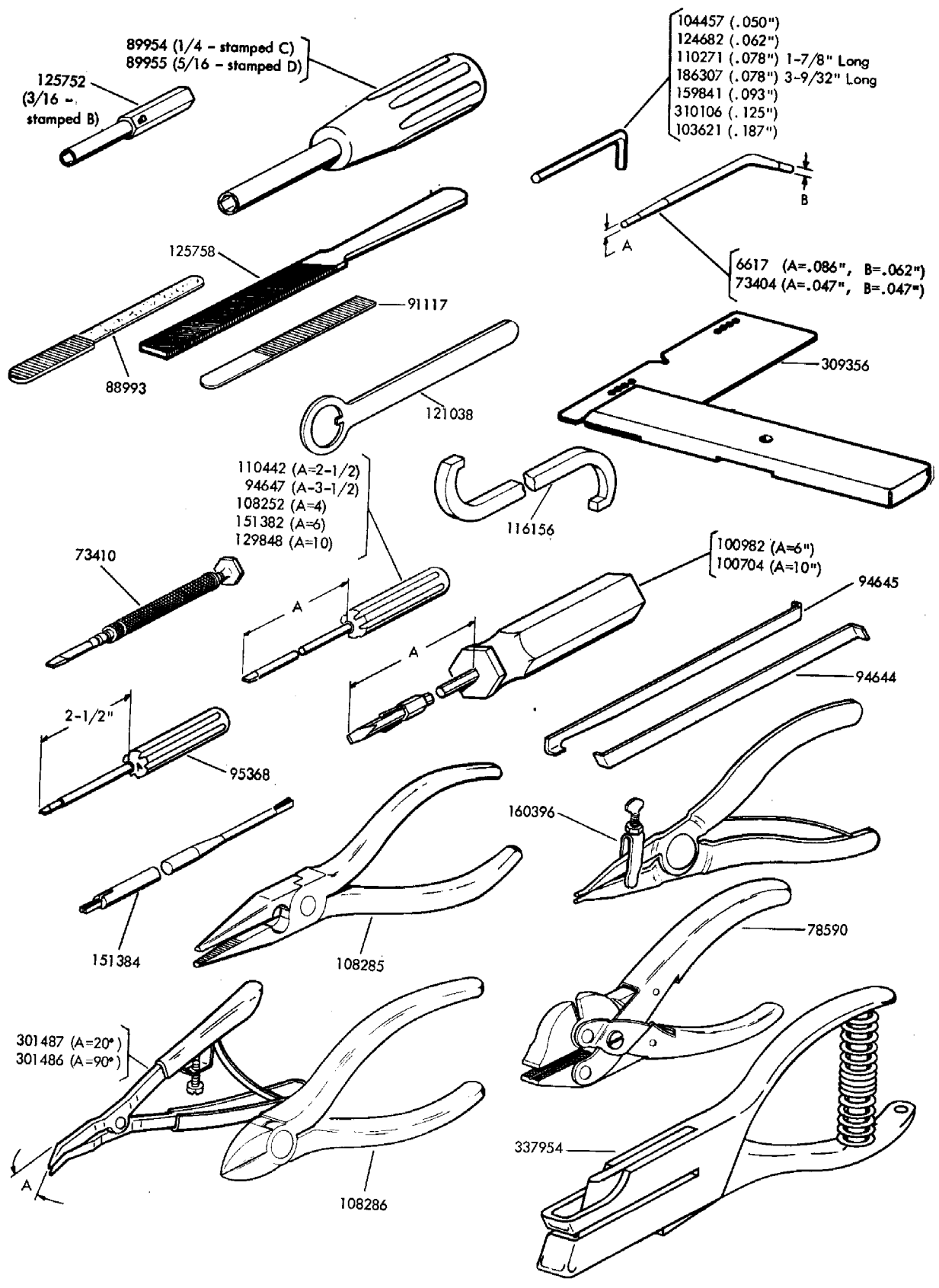


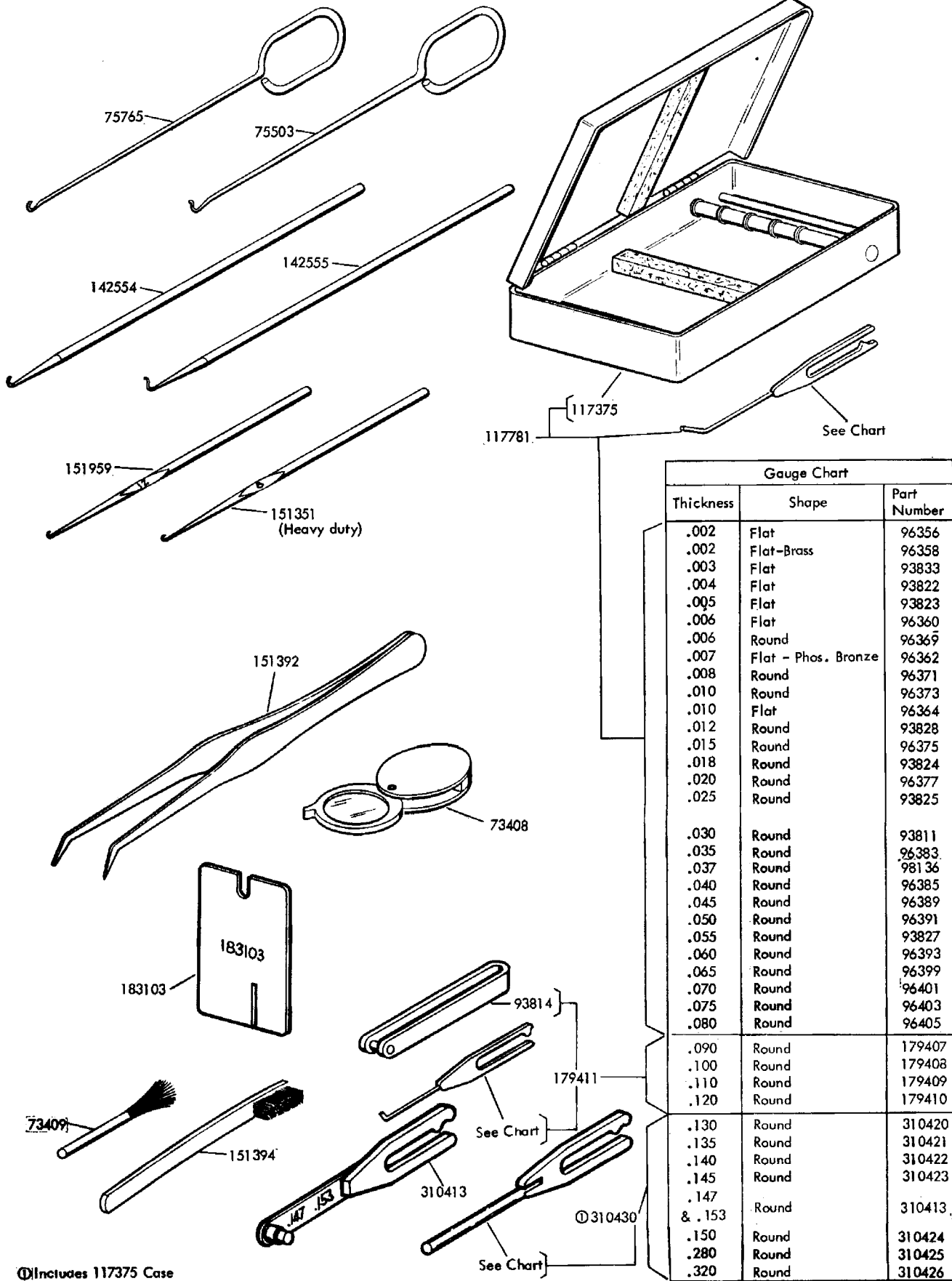
113756



113777

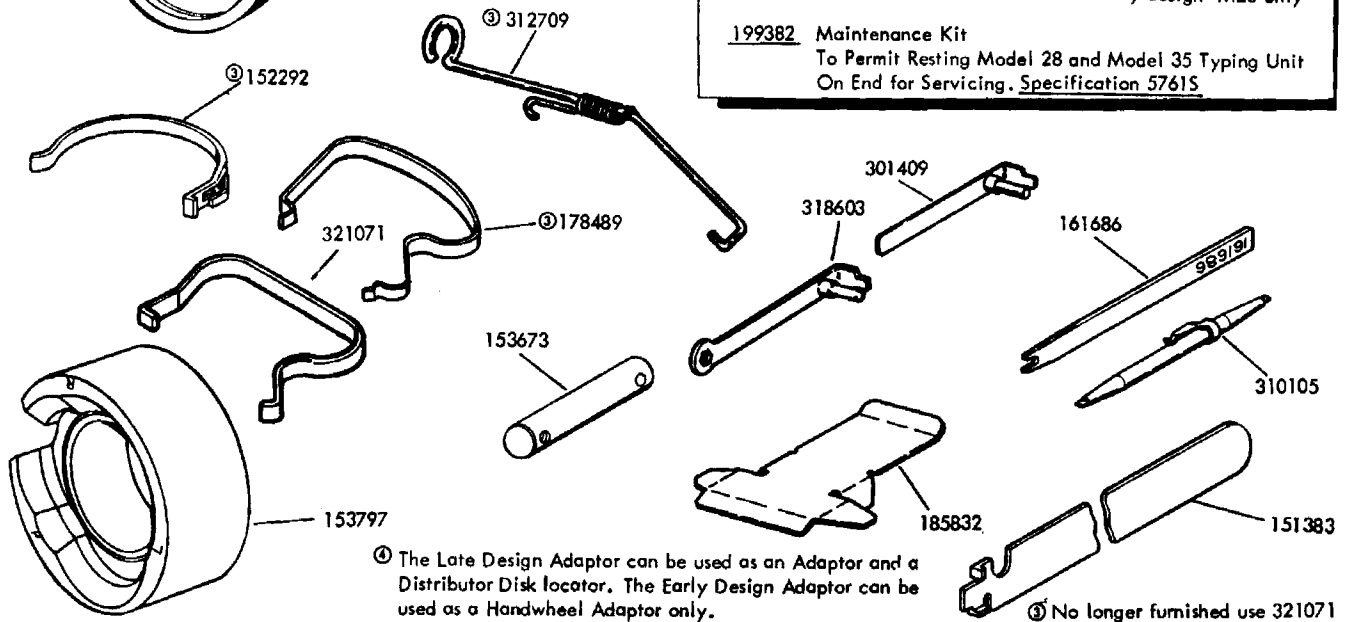
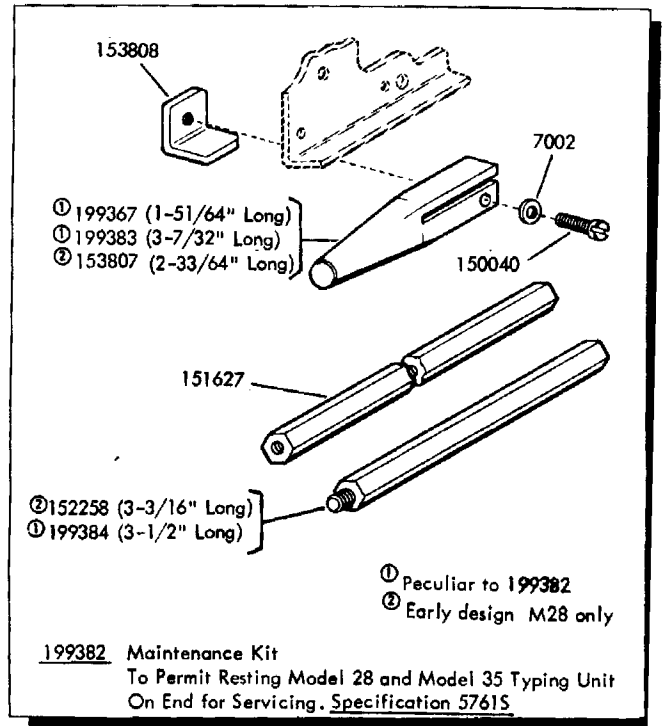
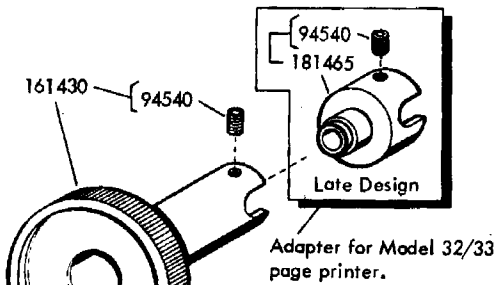
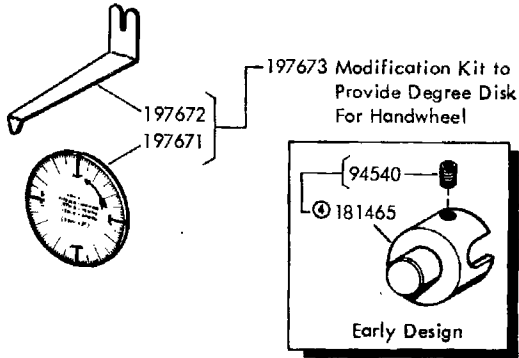
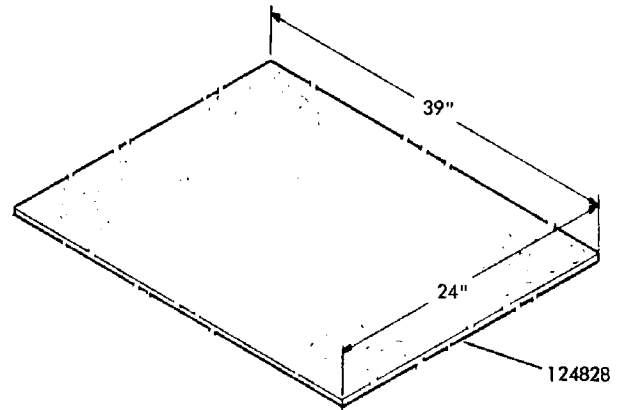
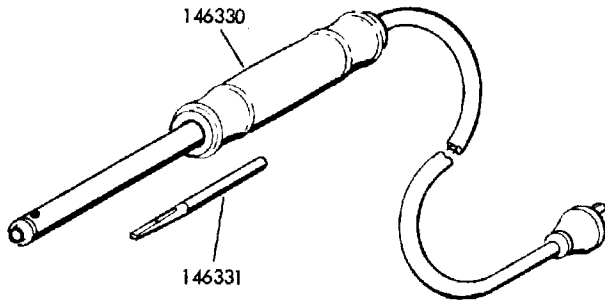
*Total calibration range may be greater than shown.

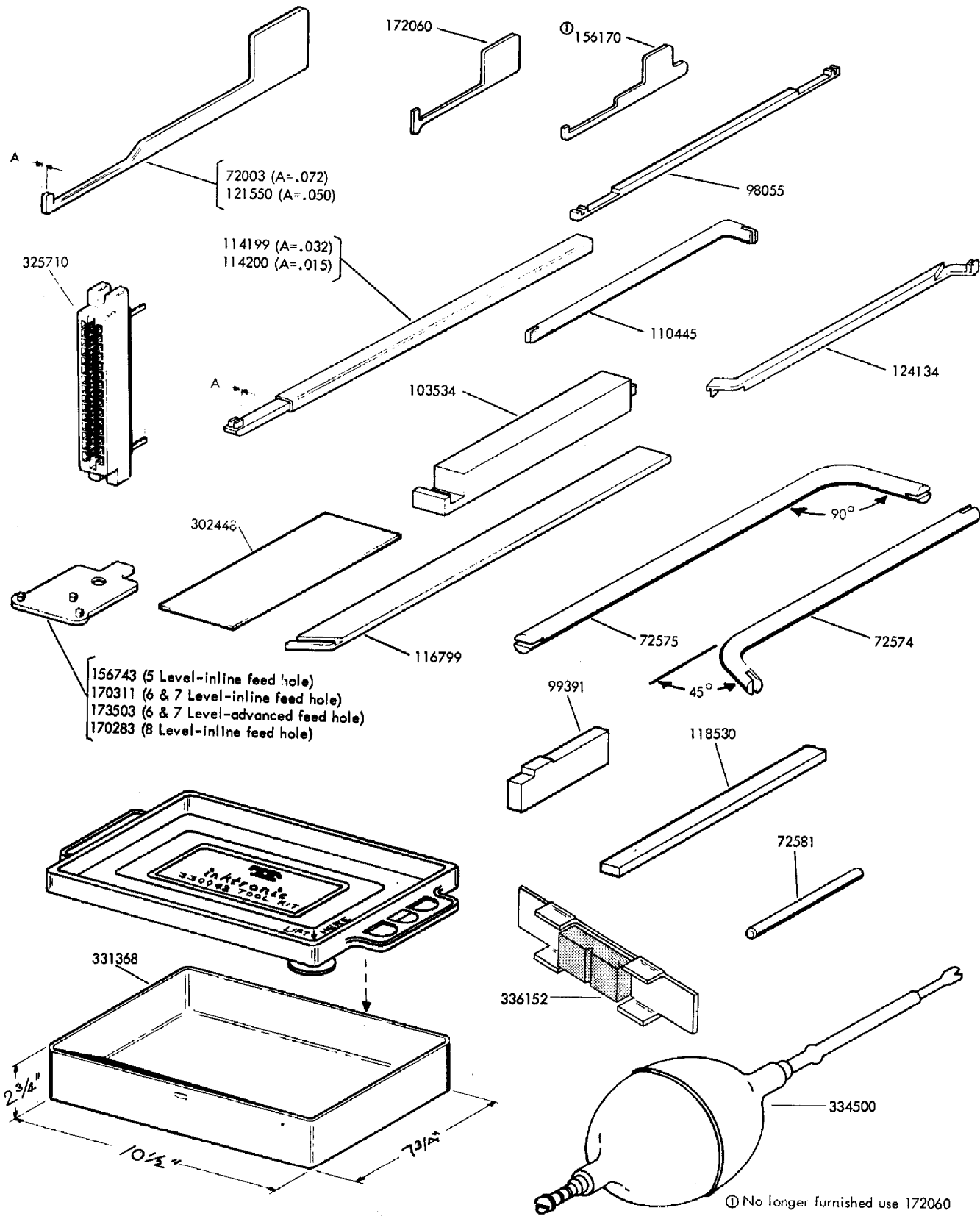


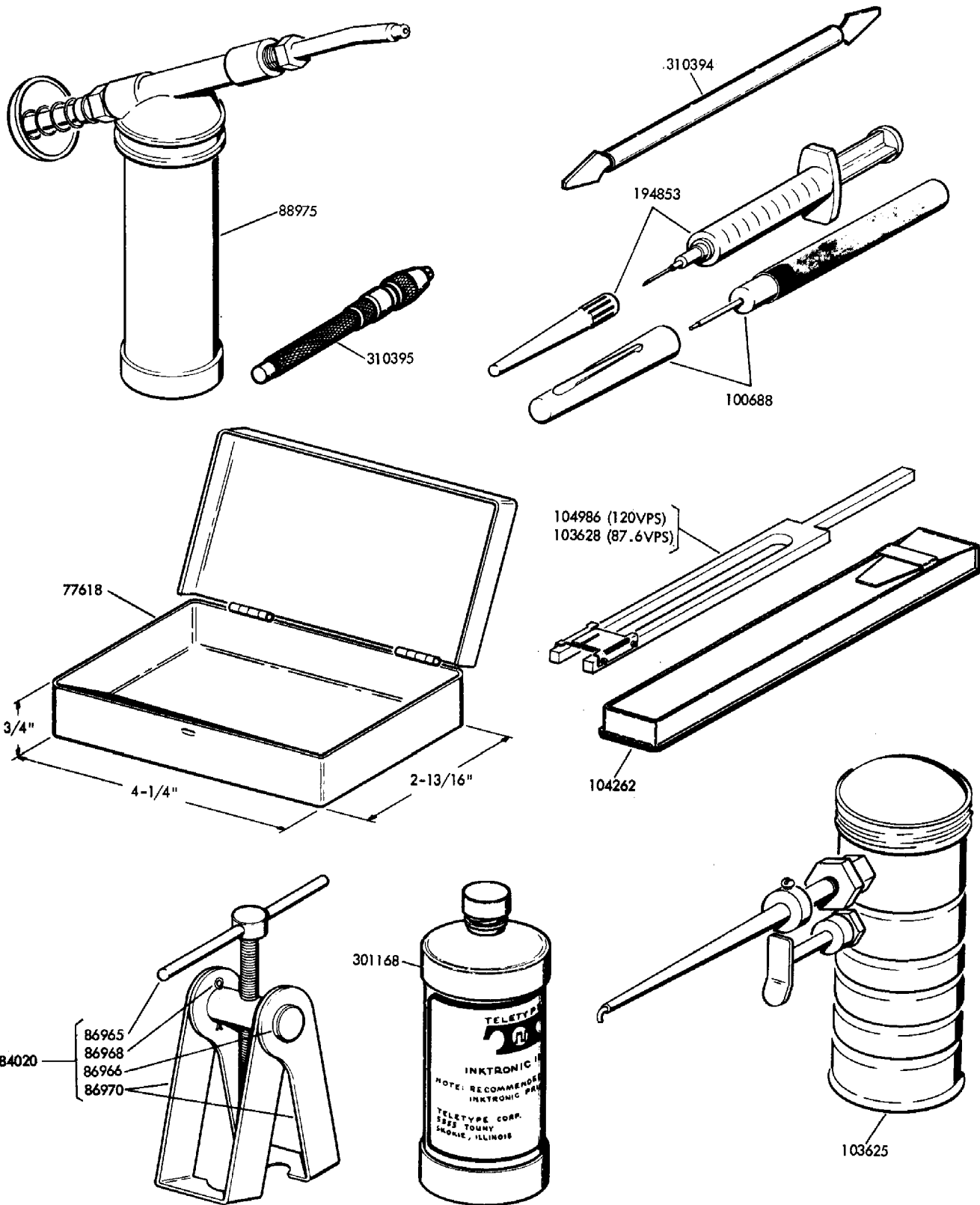


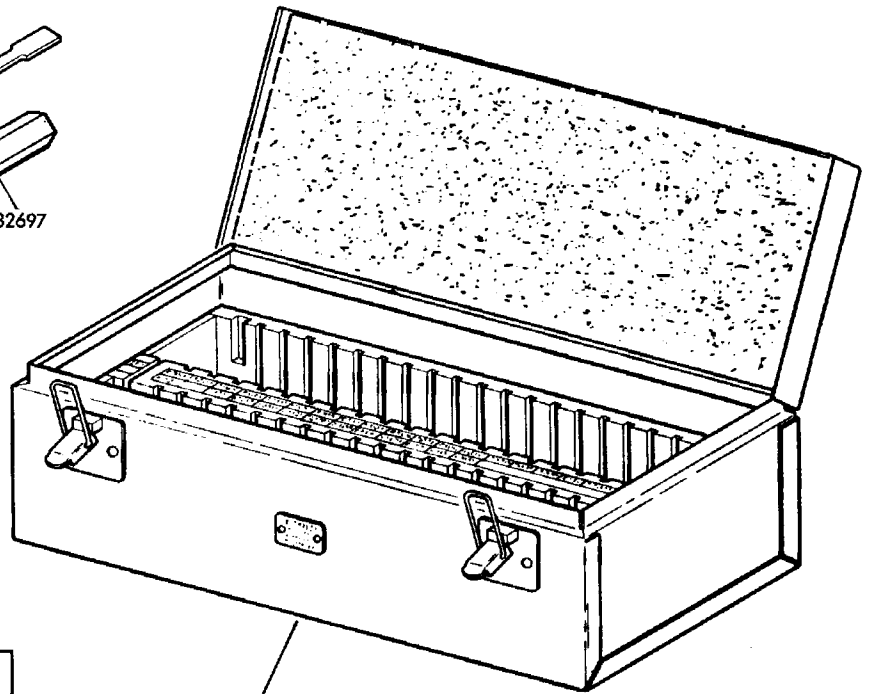
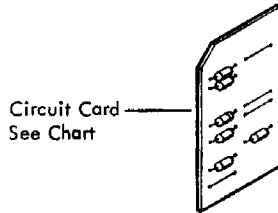
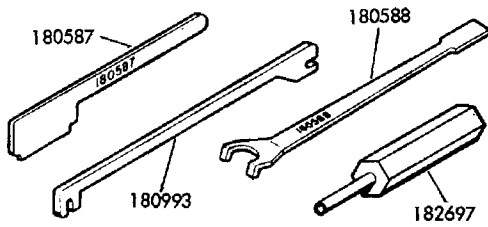
| Gauge Chart | | |
|-------------|---------------------|-------------|
| Thickness | Shape | Part Number |
| .002 | Flat | 96356 |
| .002 | Flat-Brass | 96358 |
| .003 | Flat | 93833 |
| .004 | Flat | 93822 |
| .005 | Flat | 93823 |
| .006 | Flat | 96360 |
| .006 | Round | 96369 |
| .007 | Flat - Phos. Bronze | 96362 |
| .008 | Round | 96371 |
| .010 | Round | 96373 |
| .010 | Flat | 96364 |
| .012 | Round | 93828 |
| .015 | Round | 96375 |
| .018 | Round | 93824 |
| .020 | Round | 96377 |
| .025 | Round | 93825 |
| .030 | Round | 93811 |
| .035 | Round | 96383 |
| .037 | Round | 98136 |
| .040 | Round | 96385 |
| .045 | Round | 96389 |
| .050 | Round | 96391 |
| .055 | Round | 93827 |
| .060 | Round | 96393 |
| .065 | Round | 96399 |
| .070 | Round | 96401 |
| .075 | Round | 96403 |
| .080 | Round | 96405 |
| .090 | Round | 179407 |
| .100 | Round | 179408 |
| .110 | Round | 179409 |
| .120 | Round | 179410 |
| .130 | Round | 310420 |
| .135 | Round | 310421 |
| .140 | Round | 310422 |
| .145 | Round | 310423 |
| .147 | Round | 310413 |
| & .153 | Round | 310413 |
| .150 | Round | 310424 |
| .280 | Round | 310425 |
| .320 | Round | 310426 |

Ⓛ Includes 117375 Case







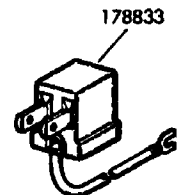
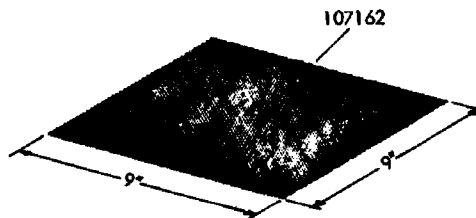


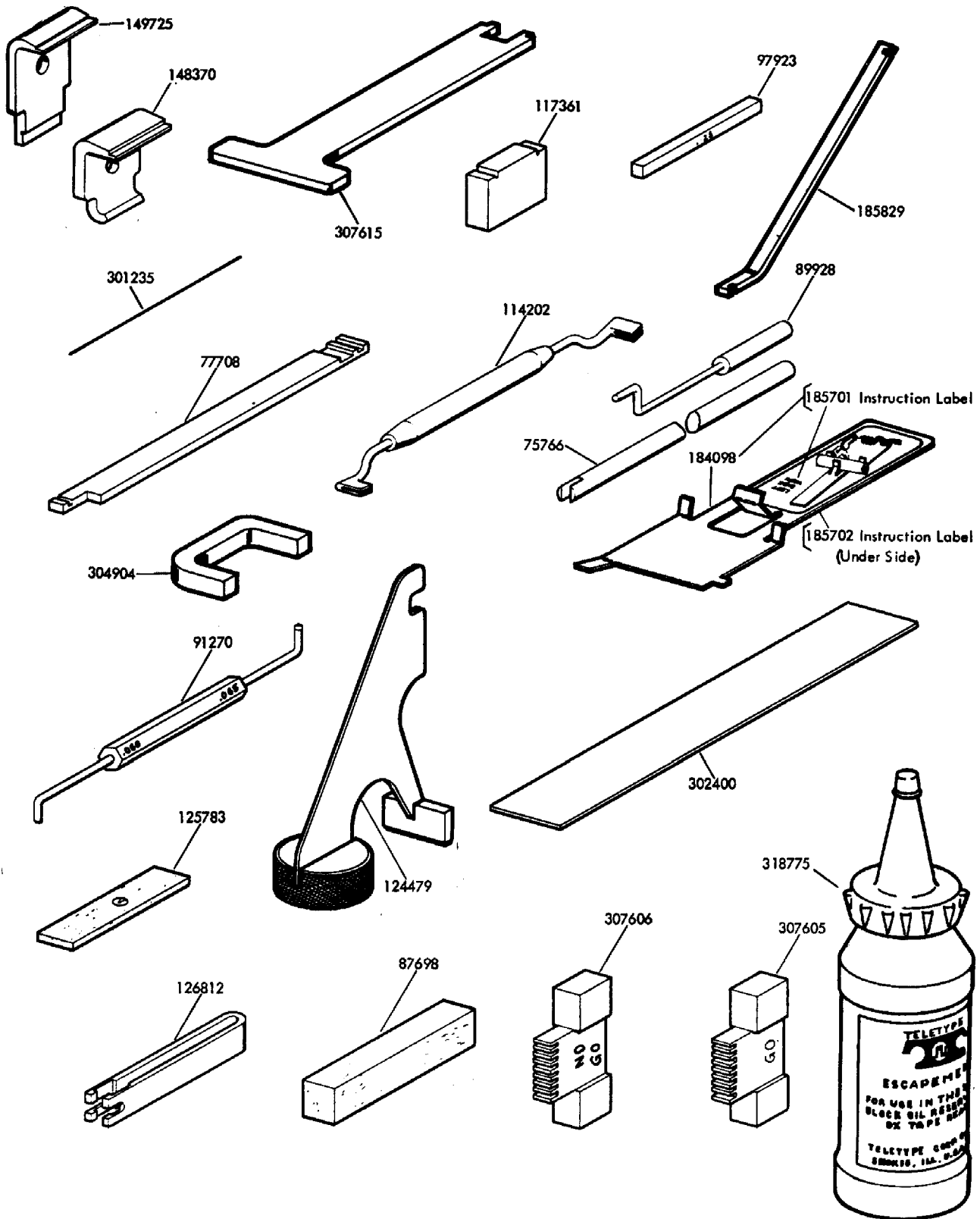
| PAPER COVERED MYLAR TEST TAPES | | |
|---|---------|-------------|
| Description | Code | Part Number |
| 27 Repetitions of 14 Character Pattern | 5 Level | 146605 |
| 27 Repetitions of 14 Character Pattern | 8 Level | 146606 |
| 27 Repetitions of 14 Character Pattern | 6 Level | 146861 |
| 78 Repetitions of 14 Character Pattern | 5 Level | 148101 |
| 78 Repetitions of 14 Character Pattern | 8 Level | 148102 |
| 189 Repetitions of 2 Character pattern | 8 Level | 148554 |
| Error detection and correction (EDC) | 8 Level | 303069 |
| 480 Repetitions of Single Character Pattern | 8 Level | 303098 |
| 240 Repetitions of 2 Character Pattern | 8 Level | 303099 |
| 17" of repeated letters Character Pattern | 5 Level | 320279 |
| "Brown Fox" Sequence | 5 Level | 305734 |
| | 8 Level | 305735 |
| "Brown Fox" Pattern | 5 Level | 326742 |
| | 8 Level | 326743 |

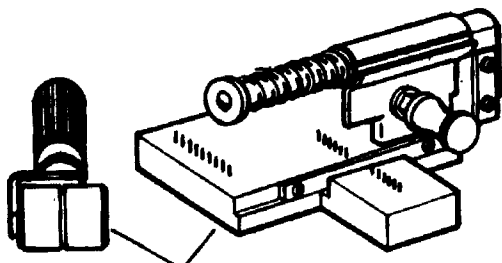
146540 146538

| 146539 Spare Circuit Card Kit | | | |
|-------------------------------|-------------|-------------|-------------|
| Designation | Part Number | Designation | Part Number |
| EC321 | 172321 | EC374 | 172374 |
| EC322 | 172322 | EC375 | 172375 |
| EC323 | 172323 | EC385 | 172385 |
| EC324 | 172324 | EC394 | 172394 |
| EC325 | 172325 | EC395 | 172395 |
| EC326 | 172326 | EC396 | 172396 |
| EC333 | 172333 | EC401 | 172401 |
| EC347 | 172347 | EC420 | 172420 |
| EC351 | 172351 | EC431 | 172431 |
| EC352 | 172352 | EC469 | 172469 |
| EC355 | 172355 | EC473 | 172473 |
| EC359 | 172359 | EC475 | 172475 |
| EC361 | 172361 | EC490 | 172490 |
| EC363 | 172363 | EC520 | 146520 |
| EC365 | 172365 | EC521 | 146521 |

172450 Extension Card Assembly (15 Pin)
148454 Extension Card Assembly (36 Pin)

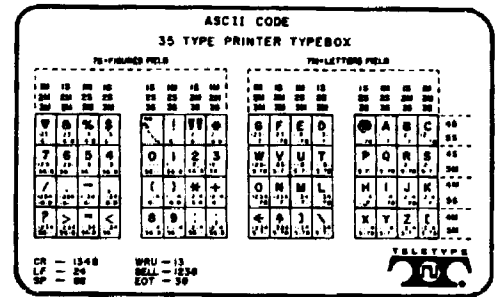




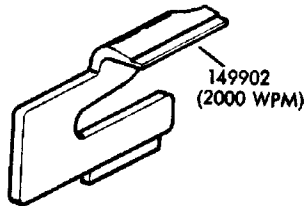


317212 (Bell System Code 2A)

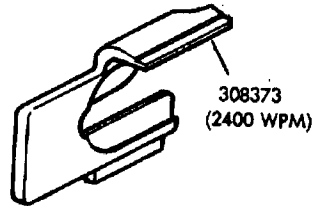
| SPLICING PATCHES | | | | |
|------------------|-------------------|------------|------------|-------------|
| CODE LEVELS | TELETYPE PART NO. | COLOR CODE | FEED HOLES | PATCH WIDTH |
| 5 | 317325 | BLUE | IN LINE | 11/16 |
| 6 | 317326 | RED | ADVANCED | 7/8 |
| 7 | 317327 | LAVENDER | IN LINE | 7/8 |
| 8 | 317328 | GREEN | IN LINE | 1" |



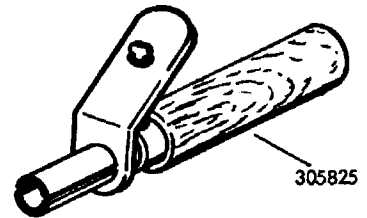
152050 (Model 28)
321942 (Model 33 and 35)



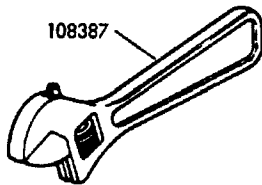
149902
(2000 WPM)



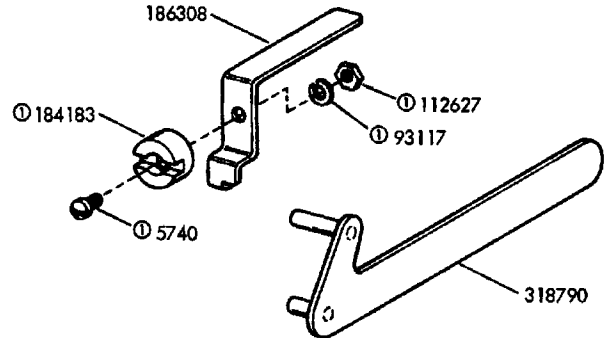
308373
(2400 WPM)



305825



108387

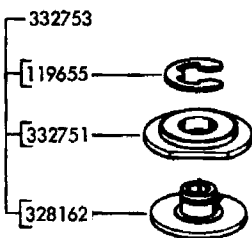


186308

184183
5740

112627
93117

318790

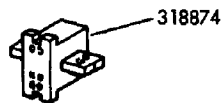


332753

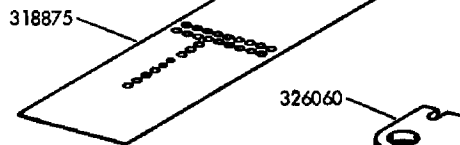
119655

332751

328162



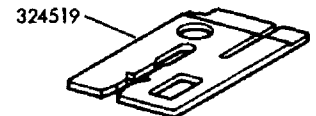
318874



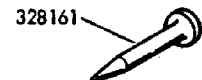
318875



326060

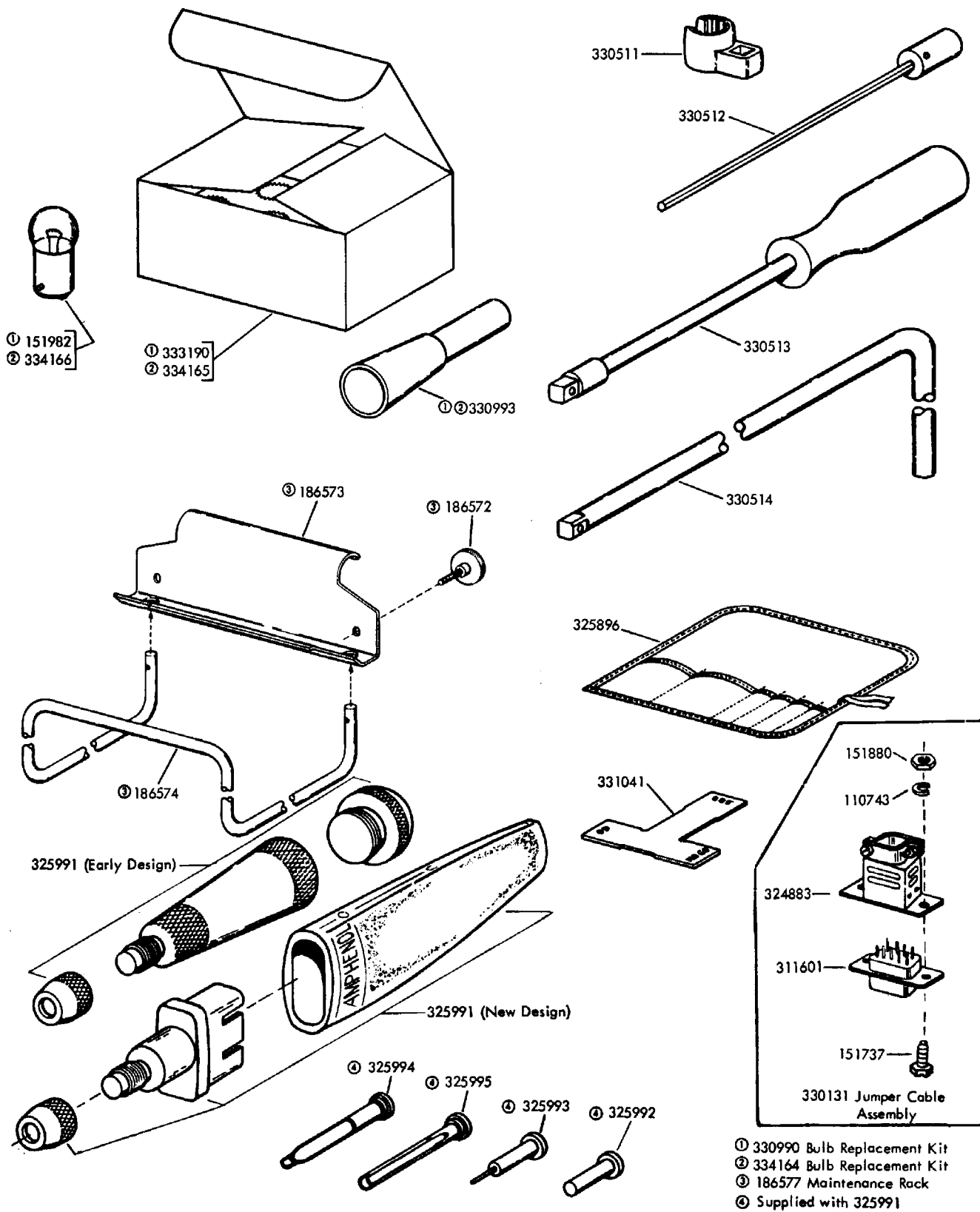


324519

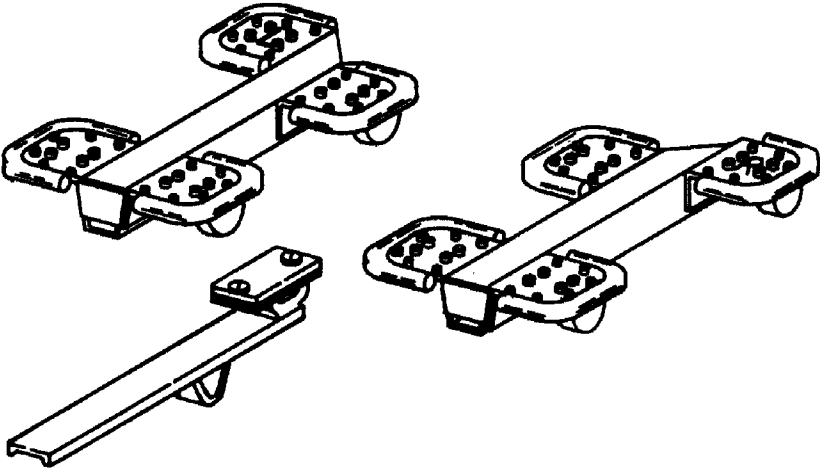
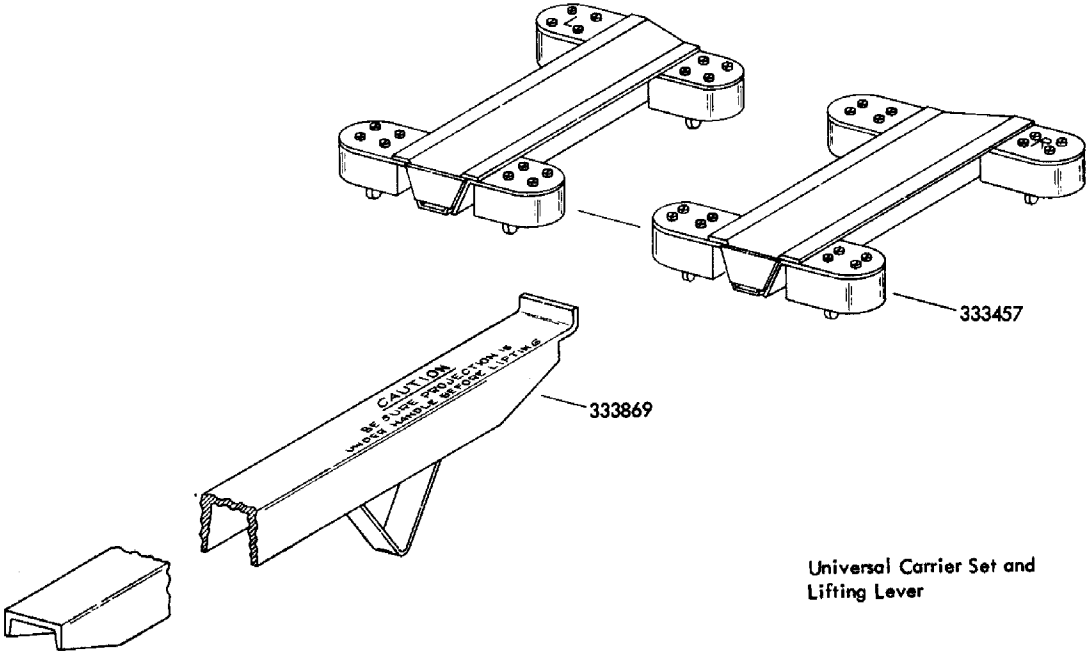


328161

⓪ Part of 186308



- ① 330990 Bulb Replacement Kit
- ② 334164 Bulb Replacement Kit
- ③ 186577 Maintenance Rack
- ④ Supplied with 325991



179661 (Carrier for model 28 only)

| TOUCH UP PAINT - 1 PINT | | | | | | | | |
|--------------------------|---------------|-------------|----------------|---------------|-------------|-----------------------|---------------|-------------|
| Air Dry Brush Enamel | | | | | | Air Dry Brush Lacquer | | |
| Smooth Finish | | | Wrinkle Finish | | | Smooth Vinyl | | |
| Color | Teletype Code | Part Number | Color | Teletype Code | Part Number | Color | Teletype Code | Part Number |
| Black High Gloss | BA | 143431 | Black | AA | 120820 | Light Olive Gray | HF | 304364 |
| Black Semi-Gloss | BB | 143432 | Gray Green | AB | 120821 | Gray Green | GA | 304365 |
| Light Gray (Coast Guard) | BH | 143433 | Light Brown | AC | 120822 | Light Aqua | HK | 304366 |
| Gray Green | BK | 143434 | Dark Brown | AD | 120823 | | | |
| Light Gray | BR | 143435 | | | | | | |
| Light Gray (Navy) | BU | 143435 | | | | | | |
| Charcoal Gray | BZ | 143436 | | | | | | |
| Navy Ocean Gray | ED | 143437 | | | | | | |
| Light Olive Gray | EW | 143438 | | | | | | |

| LUBRICANTS | | | | | |
|-------------|----------|--------------------------|-------------|----------|-------------|
| Grease | | | Oil | | |
| Part Number | Quantity | Brand Name | Application | Quantity | Part Number |
| 88973 | 1 lb | | General | 1 qt | 88970 |
| 97116 | 4 oz | | | 1 gal | 88971 |
| 108805 | 2 oz | Lubriplate 105 or TKS102 | | | |
| 143484 | 1 lb | Mobil #2 | | | |
| 145867 | 4 oz | Mobil #2 | | | |
| 195298 | 1 lb | Beacon #325 or TKS103 | | | |
| 301313 | 1-3/4 oz | Aero Lubriplate | | | |

| ADHESIVE | | |
|----------|----------------------------|-------------|
| Quantity | Application | Part Number |
| 5 oz | Felt Pads | 143285 |
| 1 Pint | Rubber Pads And Insulators | 163584 |
| 1 Pint | Air Filter | 175379 |

| GASKET MATERIAL | |
|---------------------------------------|-------------|
| Description | Part Number |
| Self-Adhesive Polyurethane 50 Ft Roll | 305713 |

| CLEANING CONCENTRATE | |
|-------------------------------------|-------------|
| Quantity | Part Number |
| 1 Gal Can | 321052 |
| 5 Gal Can | 321078 |
| 6oz Aerosol Can (Electrode Cleaner) | 334510 |
| 16 oz Aerosol Can (Contact Cleaner) | 337988 |
| 5 oz Tube (Hand Cleaner) | 334508 |

| SHOP TOWELS | |
|---|-------------|
| Description | Part Number |
| Masslinn 12" x 17" Open Size Packed Folded (8-1/2" x 6") in 100 per Cardboard Box Dispenser | 310397 |
| Twill Jean Cloth (9" x 9") | 107162 |
| Gloves Silicone-Free Large size. | 337607 |

TOOL KITS

113778 Universal Tool Kit contains the following:

| Part Number | Description | Page Number | Part Number | Description | Page Number |
|-------------|----------------------------|-------------|-------------|------------------------|-------------|
| 6617 | Wrench, Tommy | 3 | 110443 | Scale, 8 oz Spring | 2 |
| 72003 | Bender, Contact Spring | 6 | 110444 | Scale, 32 oz Spring | 2 |
| 72574 | Tool, Holding | 6 | 113756 | Wrench Set | 2 |
| 72575 | Tool, Finger Bending | 6 | 113777 | Tool Kit | 2 |
| 72581 | Pin, Gauge | 6 | 116156 | Wrench, Spanner | 3 |
| 73370 | Gauge, Locating | 7 | 117781 | Gauge Set, Feeler | 4 |
| 73404 | Wrench, Tommy | 3 | 124134 | Bender, Contact Spring | 6 |
| 73408 | Magnifier | 4 | 124682 | Wrench, Hex Key | 3 |
| 75503 | Hook, Push Spring | 4 | 125752 | Wrench, 3/16" Socket | 3 |
| 75765 | Hook, Pull Spring | 4 | 129848 | Screwdriver | 3 |
| 77618 | Box, Tool | 8 | 135059 | Scale, 15 lb. Spring | 2 |
| 82711 | Scale, 64 oz Spring | 2 | 142554 | Hook, Pull Spring | 4 |
| 87698 | Stone, Carborundum | 10 | 142555 | Hook, Push Spring | 4 |
| 88993 | Burnisher, Contact | 3 | 151351 | Hook, Pull Spring | 4 |
| 91117 | File, Contact | 3 | 151384 | Holder, Screw | 3 |
| 94644 | Screwdriver, 30° Offset | 3 | 151392 | Tweezers | 4 |
| 94645 | Screwdriver, 90° Offset | 3 | 151959 | Hook, Pull Spring | 4 |
| 95368 | Screwdriver | 3 | 152223 | Scale, 70 gram Spring | 2 |
| 95960 | Gauge, Tape | 7 | 321071 | Clip, Armature | 5 |
| 99947 | Tool, Punch Block Cleaning | 7 | 159841 | Wrench, Hex Key | 3 |
| 104457 | Wrench, Hex Key | 3 | 161686 | Tool, Tine Removal | 5 |
| 110271 | Wrench, Hex Key | 3 | 179411 | Gauge Set, Feeler | 4 |

146642 Special Tool Kit (To Supplement The 113778 Tool Kit) contains the following:

| Part Number | Description | Page Number | Part Number | Description | Page Number |
|-------------|------------------------|-------------|-------------|------------------------|-------------|
| 110445 | Bender, Contact Spring | 6 | 145867 | Grease, 4 oz Tube | 14 |
| 143089 | Clip, Armature | 7 | 172060 | Bender, Contact Spring | 6 |

151940 Special Tool Kit (Model 28 Page Printer Set) contains the following:

| Part Number | Description | Page Number | Part Number | Description | Page Number |
|-------------|------------------------|-------------|-------------|-------------------------------|-------------|
| 73408 | Magnifier | 4 | 151392 | Tweezers | 4 |
| 100982 | Screwdriver w/Clip | 3 | 151394 | Brush, Type Cleaning | 4 |
| 151351 | Hook, Pull Spring | 4 | 151959 | Hook, Pull Spring | 4 |
| 151382 | Screwdriver | 3 | 152835 | Wrench, 5/16" & 3/8" Cpen End | 2 |
| 151383 | Tool, Keylever Remover | 5 | 152837 | Wrench, 3/16" & 1/4" Cpen End | 2 |
| 151384 | Holder, Screw | 3 | 161430 | Handwheel | 5 |

159114 Tool Kit (Model 28 Equipment) contains the following:

| Part Number | Description | Page Number | Part Number | Description | Page Number |
|-------------|-------------------------------|-------------|-------------|-----------------------------|-------------|
| 104457 | Wrench, Hex Key | 3 | 159841 | Wrench, Hex Key | 3 |
| 129537 | Wrench, 9/16" & 3/4" Open End | 2 | 159926 | Gauge w/Pin, Punch Bail Arm | 7 |
| 156011 | Gauge, Tape | 7 | 160396 | Pliers, Retaining Ring | 3 |
| 156743 | Gauge, Tape Lid | 6 | 172060 | Bender, Contact Spring | 6 |
| 159133 | Gauge | 7 | | | |

TOOL KITS (Continued)

171312 Tool Kit (High Speed Tape Punch and Tape Reader) contains the following:

| Part Number | Description | Page Number | Part Number | Description | Page Number |
|-------------|---------------------------|-------------|-------------|-------------------------------|-------------|
| 82711 | Scale, 64 oz Spring | 2 | 110444 | Scale, 32 oz Spring | 2 |
| 88970 | Oil, 1 qt | 14 | 110445 | Bender, Contact Spring | 6 |
| 88993 | Burnisher, Contact | 3 | 113756 | Wrench Set | 2 |
| 89954 | Wrench, 1/4" Socket | 3 | 117781 | Gauge Set, Feeler | 4 |
| 89955 | Wrench, 5/16" Socket | 3 | 129534 | Wrench, 3/16" & 1/4" Open End | 2 |
| 94644 | Screwdriver, 30° Offset | 3 | 142554 | Hook, Pull Spring | 4 |
| 94645 | Screwdriver, 90° Offset | 3 | 142555 | Hook, Push Spring | 4 |
| 94646 | Stick, Orangewood | 7 | 143089 | Clip, Armature | 7 |
| 94647 | Screwdriver, 3-1/2" Blade | 3 | 143484 | Grease, 1 lb | 14 |
| 95960 | Gauge, Tape | 7 | 149836 | Cleaner, Punch Block | 7 |
| 100704 | Screwdriver w/Clip | 3 | 151384 | Holder, Screw | 3 |
| 103625 | Can, Oil | 8 | 151392 | Tweezers | 4 |
| 104457 | Wrench, Hex Key | 3 | 152223 | Scale, 70 gram Spring | 2 |
| 110442 | Screwdriver | 3 | 159841 | Wrench, Hex Key | 3 |
| 110443 | Scale, 8 oz Spring | 2 | 172060 | Bender, Contact Spring | 6 |

185830 Tool Kit (Model 32 and 33 Equipment) contains the following:

| Part Number | Description | Page Number | Part Number | Description | Page Number |
|-------------|---------------------------|-------------|-------------|-----------------------------|-------------|
| 104457 | Wrench, Hex Key | 3 | 180993 | Bender, Contact Spring | 9 |
| 110445 | Bender, Contact Spring | 6 | 181465 | Adapter, Handwheel | 5 |
| 124682 | Wrench, Hex Key | 3 | 182697 | Extractor, Terminal | 9 |
| 125752 | Wrench, 3/16" Socket | 3 | 183103 | Gauge, Tape Reader | 4 |
| 156011 | Gauge, Tape | 7 | 184098 | Tool, Selector Cam Removal | 10 |
| 159841 | Wrench, Hex Key | 3 | 185829 | Bender, Contact Spring | 10 |
| 160396 | Pliers, Retaining Ring | 3 | 185832 | Clip, Armature | 5 |
| 161686 | Tool, Tine Removal | 5 | 186307 | Wrench, Hex Key | 3 |
| 180587 | Tool, Carriage Adjusting | 9 | 186308 | Gauge, Keyboard Adjusting | 11 |
| 180588 | Tool, Typewheel Adjusting | 9 | 199413 | Wrench, 3/16" & 1/4" Offset | 7 |

307523 Tool Kit (High Speed Send/Receive Set) contains the following:

| Part Number | Description | Page Number | Part Number | Description | Page Number |
|-------------|-------------------------------|-------------|-------------|--------------------------------------|-------------|
| 95960 | Gauge, Tape | 7 | 301235 | Probe, Nozzle | 10 |
| 96352 | Gauge, .027" | | 301313 | Grease, 1-3/4 oz | 14 |
| 100982 | Screwdriver w/Clip | 3 | 301409 | Tool, Magnet Adjusting | 5 |
| 103625 | Can, Oil | 8 | 301486 | Pliers, Gripping | 3 |
| 108285 | Pliers, Long Nose | 3 | 301487 | Pliers, Gripping | 3 |
| 110443 | Scale, 8 oz Spring | 2 | 302400 | Gauge, Tape Chute | 10 |
| 124682 | Wrench, Hex Key | 3 | 302448 | Gauge, Verifier | 6 |
| 125777 | Wrench, 1/4" Offset | 7 | 307605 | Gauge, Go Contact | 10 |
| 129534 | Wrench, 3/16" & 1/4" Open End | 2 | 307606 | Gauge, No Go Contact | 10 |
| 129536 | Wrench, 7/16" & 1/2" Open End | 2 | 307607 | Gauge, Contact Alignment | 7 |
| 135676 | Handle | 2 | 307615 | Tool, Eccentric Adjusting | 10 |
| 135677 | Wrench, 1/4" Socket | 2 | 308373 | Gauge, Punch Pin Penetration | 11 |
| 135678 | Wrench, 5/16" Socket | 2 | 310105 | Screwdriver, Potentiometer Adjusting | 5 |
| 142555 | Hook, Push Spring | 4 | 310106 | Wrench, 1/8" Hex Key | 3 |
| 145867 | Grease, 4 oz Tube | 14 | 310394 | Wiper, Nozzle | 8 |
| 149836 | Cleaner, Punch Block | 7 | 310395 | Vise, Pin | 8 |
| 152835 | Wrench, 5/16" & 3/8" Open End | 2 | 310397 | Towels, Shop | 14 |
| 301168 | Ink, 12 oz Special | 8 | 310430 | Gauge Set, Feeler | 4 |

TOOL KITS (Continued)

315783 Tool Kit (Self-Contained DRPE Set) contains the following:

| Part Number | Description | Page Number | Part Number | Description | Page Number |
|-------------|-------------------------|-------------|-------------|-------------------------------|-------------|
| 82711 | Scale, 64 oz Spring | 2 | 117781 | Gauge Set | 4 |
| 88970 | Oil, 1 qt | 14 | 124682 | Wrench, Hex Key | 3 |
| 88975 | Gun, Grease | 8 | 129534 | Wrench, 3/16" & 1/4" Open End | 2 |
| 88993 | Burnisher, Contact | 3 | 129536 | Wrench, 7/16" & 1/2" Open End | 2 |
| 89954 | Wrench, 1/4" Socket | 3 | 135060 | Tool, Roll | 2 |
| 89955 | Wrench, 5/16" Socket | 3 | 142554 | Hook, Pull Spring | 4 |
| 94644 | Screwdriver, 30° Offset | 3 | 145867 | Grease, 4 oz Tube | 14 |
| 94645 | Screwdriver, 90° Offset | 3 | 149836 | Gauge, Punch Cleaner | 7 |
| 94646 | Stick, Orangewood | 7 | 151384 | Holder, Screw | 3 |
| 100982 | Screwdriver w/Clip | 3 | 151392 | Tweezers | 4 |
| 103625 | Can, Oil | 8 | 152223 | Scale, 70 Gram Spring | 2 |
| 104457 | Wrench, Hex Key | 3 | 152835 | Wrench, 5/16" & 3/8" Open End | 2 |
| 108285 | Pliers, Long Nose | 3 | 152837 | Wrench, 3/16" & 1/4" Open End | 2 |
| 108805 | Lubriplate | 14 | 194853 | Injector, Oil | 8 |
| 110442 | Screwdriver | 3 | 302990 | Gauge, Tape | 7 |
| 110443 | Scale, 8 oz Spring | 2 | 305825 | Tool, Lamp Extractor | 11 |
| 110444 | Scale, oz Spring | 2 | 308373 | Gauge, Punch Pin Penetration | 11 |
| 110445 | Bender, Contact Spring | 6 | 332753 | Indicator Assembly | 11 |

323922 Tool Kit (DRPE 808 and (Tape Puller Transport) same as 315783 Tool Kit except delete following parts:

| Part Number | Description | Page Number | Part Number | Description | Page Number |
|-------------|-----------------------|-------------|-------------|----------------------|-------------|
| 108805 | Lubriplate, 2 oz Tube | 14 | 305825 | Tool, Lamp Extractor | 11 |
| 194853 | Injector, Oil | 8 | | | |

330048 Tool Kit (High Speed Inktronic Set) contains the following:

| Part Number | Description | Page Number | Part Number | Description | Page Number |
|-------------|-----------------------|-------------|-------------|---------------------|-------------|
| 108805 | Lubriplate, 2 oz | 14 | 331368 | Container, Tool Kit | 6 |
| 145867 | Grease 4 oz | 14 | 334500 | Aspirator, Ink | 6 |
| 310394 | Whiper, Nozzle | 8 | 334503 | Filter | 6 |
| 310425 | Gauge, .280 | 4 | 334508 | Cleaner, 5 oz Hand | 14 |
| 310426 | Gauge, .320 | 4 | 334510 | Cleaner, Electrode | 14 |
| 325710 | Connector | 6 | 336152 | Magnet | 6 |
| 330131 | Jumper Cable Assembly | 12 | 337607 | Glove | 14 |
| 331041 | Gauge | 12 | | | |

330520 Tool Kit (Cradle Immobilization) contains the following:

| Part Number | Description | Page Number | Part Number | Description | Page Number |
|-------------|---------------------------|-------------|-------------|------------------------|-------------|
| 330511 | Socket, Crows Foot | 12 | 330513 | Driver, Flexible | 12 |
| 330512 | Screwdriver, Hex Head Cap | 12 | 330514 | Wrench, 1/4" sq Socket | 12 |

NUMERICAL INDEX

| Part Number | Description and Page Number | Part Number | Description and Page Number | Part Number | Description and Page Number |
|-------------|--------------------------------|-------------|---------------------------------------|-------------|-----------------------------------|
| 5740 | Screw, 2-56 x 1/4 Fil 11 | 93824 | Gauge, .018" 4 | 103625 | Can, Oil 8,16,17 |
| 6617 | Wrench, Tommy 3,15 | 93825 | Gauge, .025" 4 | 103628 | Fork, Tuning 8 |
| 7002 | Washer, Flat 5 | 93827 | Gauge, .055" 4 | 104262 | Case, Tuning Fork 8 |
| 72003 | Bender, Contact Spring 6,15 | 93828 | Gauge, .012" 4 | 104457 | Wrench, Hex Key 3,15,16,17 |
| 72574 | Tool, Holding 6,15 | 93833 | Gauge, .003" 4 | 104986 | Fork, Tuning 8 |
| 72575 | Tool, Finger Bending 6,15 | 94540 | Screw, 10-24 Set 5 | 107162 | Cloth, Twill Jean 9,14 |
| 72581 | Pin, Gauge 6,15 | 94644 | Screwdriver, 30 Deg Offset 3,15,16,17 | 108252 | Screwdriver 3 |
| 73370 | Gauge, Locating 7,15 | 94645 | Screwdriver, 90 Deg Offset 3,15,16,17 | 108285 | Pliers, Long Nose 3,16,17 |
| 73404 | Wrench, Tommy 3,15 | 94646 | Stick, Orangewood 7,16,17 | 108286 | Pliers, Cutting 3 |
| 73408 | Magnifier 4,15 | 94647 | Screwdriver, 3-1/2" Blade 3,16 | 108387 | Wrench, 4" Adjustable 11 |
| 73409 | Brush, Camel Hair 4 | 95368 | Screwdriver 3,15 | 108805 | Lubriplate, 2 Oz Tube 14,17 |
| 73410 | Screwdriver 3 | 95960 | Gauge, Tape 7,15,16 | 110271 | Wrench, Hex Key 3,15 |
| 73517 | Gauge 7 | 96352 | Gauge, .027" 16 | 110442 | Screwdriver 3,16,17 |
| 75503 | Hook, Push Spring 4,15 | 96356 | Gauge, .002" 4 | 110443 | Scale, 8 Oz Spring 2,15,16,17 |
| 75765 | Hook, Pull Spring 4,15 | 96358 | Gauge, .002" 4 | 110444 | Scale, 32 Oz Spring 2,15,16,17 |
| 75766 | Tool, Special 10 | 96360 | Gauge, .006" 4 | 110445 | Bender, Contact Spring 6,15,16,17 |
| 75906 | Tool, Local Test 7 | 96362 | Gauge, .007" 4 | 110743 | Lockwasher 12 |
| 77618 | Box, Tool 8,15 | 96364 | Gauge, .010" 4 | 112627 | Nut, 2-56 Hex 11 |
| 77708 | Bender, Contact Spring 10 | 96369 | Gauge, .006" 4 | 113756 | Wrench Set 2,15,16 |
| 78590 | Pliers, Parallel 3 | 96371 | Gauge, .008" 4 | 113777 | Tool Kit 2,15 |
| 82711 | Scale, 64 Oz Spring 2,15,16,17 | 96373 | Gauge, .010" 4 | 113778 | Tool Kit 15 |
| 84020 | Puller, Bearing 8 | 96375 | Gauge, .015" 4 | 114199 | Bender, Contact Spring 6 |
| 86965 | Handle 8 | 96377 | Gauge, .020" 4 | 114200 | Bender, Contact Spring 6 |
| 86966 | Shaft, Bearing Puller 8 | 96383 | Gauge, .035" 4 | 114201 | Wrench, Closed Offset 7 |
| 86968 | Pin, Cotter 8 | 96385 | Gauge, .040" 4 | 114202 | Bender, Contact Spring 10 |
| 86970 | Jaw, Bearing Puller 8 | 96389 | Gauge, .045" 4 | 114672 | Wrench, 3/8" & 7/16" Open End 7 |
| 87697 | Wrench, 1/2" & 3/4" Open End 7 | 96391 | Gauge, .050" 4 | 116156 | Wrench, Spanner 3,15 |
| 87698 | Stone, Carborundum 10,15 | 96393 | Gauge, .060" 4 | 116799 | Tool, Bending 6 |
| 88970 | Oil, 1 Qt. 14,16,17 | 96399 | Gauge, .065" 4 | 117361 | Gauge, Contact Adjusting 10 |
| 88971 | Oil, 1 Gal. 14 | 96401 | Gauge, .070" 4 | 117375 | Case, Gauge 4 |
| 88973 | Grease, 1 Lb. 14 | 96403 | Gauge, .075" 4 | 117781 | Gauge Set, Feeler 4,15,16,17 |
| 88975 | Gun, Grease 8,17 | 96405 | Gauge, .080" 4 | 118530 | Gauge 6 |
| 88993 | Burnisher, Contact 3,15,16,17 | 97116 | Grease, 4 Oz. 14 | 119655 | Ring, Retaining 11 |
| 89928 | Tool, Relay Adjusting 10 | 97923 | Gauge, .125" 10 | 120820 | Paint, 1 Pint 14 |
| 89954 | Wrench, 1/4" Socket 3,16,17 | 98055 | Bender, Contact Spring 6 | 120821 | Paint, 1 Pint 14 |
| 89955 | Wrench, 5/16" Socket 3,16,17 | 98136 | Gauge, .037" 4 | 120822 | Paint, 1 Pint 14 |
| 91117 | File, Contact 3,15 | 98631 | Scale, 50 Gram Spring 2 | 120823 | Paint, 1 Pint 14 |
| 91270 | Gauge, .060" & 0.065" 10 | 99391 | Gauge 6 | 121038 | Wrench, Closed Spanner 3 |
| 93117 | Washer, Lock 11 | 99947 | Tool, Punch Block Cleaning 7,15 | 121550 | Bender, Contact Spring 6 |
| 93811 | Gauge, .030" 4 | 100688 | Oiler 8,18 | 124134 | Bender, Contact Spring 6,15 |
| 93814 | Holder, Gauge 4 | 100704 | Screwdriver w/Clip 3,16 | 124479 | Gauge, Locating 10 |
| 93822 | Gauge, .004" 4 | 100982 | Screwdriver w/Clip 3,15,16,17 | | |
| 93823 | Gauge, .005" 4 | 101082 | Wrench, 3/4" Open End 7 | | |
| | | 103534 | Tool, Bending 6 | | |
| | | 103621 | Wrench, Hex Key 3 | | |

NUMERICAL INDEX (Continued)

| Part Number | Description and Page Number | Part Number | Description and Page Number | Part Number | Description and Page Number |
|-------------|---------------------------------------|-------------|----------------------------------|-------------|---------------------------------------|
| 124682 | Wrench, Hex Key 3,15,16, 17 | 143436 | Paint, 1 Pint 14 | 152835 | Wrench, 5/16" & 3/8" Open End 2,15,16 |
| 124828 | Pad 5 | 143437 | Paint, 1 Pint 14 | 152837 | Wrench, 3/16" & 1/4" Open End 2,15,17 |
| 125752 | Wrench, 3/16" Socket 3, 15,16 | 143438 | Paint, 1 Pint 14 | 153673 | Shaft 5 |
| 125754 | Wrench, 1/4" Socket 7 | 143484 | Grease, 1 Lb 14,16 | 153797 | Depressor, Sprocket Pin 5 |
| 125755 | Wrench, 5/16" Socket 7 | 145867 | Grease, 4 Oz Tube 14,15, 16,17 | 153807 | Post, 2-33/64" Lg 5 |
| 125756 | Wrench, 3/8" Socket 7 | 146330 | Iron, Soldering 5 | 153808 | Clamp 5 |
| 125757 | Wrench, 7/16" Socket 7 | 146331 | Tip, Soldering Iron 5 | 154393 | Wrench, 5/32" Open End 2 |
| 125758 | File, 5-1/4" Contact 3 | 146520 | Card, EC520 Circuit 9 | 156011 | Gauge, Tape 7,15,16 |
| 125759 | Wrench, 1/8" Open End 7 | 146521 | Card, EC521 Circuit 9 | 156170 | Bender, Contact Spring 6 |
| 125762 | Wrench, 5/16" Open End 7 | 146538 | Case, Circuit Card Carrying 9 | 156743 | Gauge, Tape Lid 6,15 |
| 125765 | Wrench, 7/16" & 3/8" Open End 7 | 146539 | Kit, Circuit Card 9 | 159114 | Tool Kit 15 |
| 125775 | Wrench, 3/8" & 7/16" Open End 7 | 146540 | Kit w/Case, Circuit Card 9 | 159133 | Gauge 7,15 |
| 125776 | Wrench, 5/16" Open End 7 | 146605 | Tape, 5 Level Test 9 | 159841 | Wrench, Hex Key 3,15,16 |
| 125777 | Wrench, 1/4" Open End 7,16 | 146606 | Tape, 8 Level Test 9 | 159926 | Gauge w/Pin, Punch Bail Arm 7,15 |
| 125783 | Stone, Carborundum 10 | 146642 | Tool Kit 15 | 160396 | Pliers, Retaining Ring 3,15,16 |
| 126812 | Tool, Extracting 10 | 146861 | Tape, 6 Level Test 9 | 161430 | Handwheel 5,15 |
| 129534 | Wrench, 3/16" & 1/4" Open End 2,16,17 | 148101 | Tape, 5 Level Test 9 | 161686 | Tool, Tine 5,15,16 |
| 129535 | Wrench, 5/8" & 3/4" Open End 2 | 148102 | Tape, 8 Level Test 9 | 163584 | Adhesive, 1 Pint 14 |
| 129536 | Wrench, 7/16" & 1/2" Open End 2,16,17 | 148370 | Gauge, Punch Pin Penetration 10 | 165800 | Gauge, Tape 7 |
| 129537 | Wrench, 9/16" & 3/4" Open End 2,15 | 148454 | Card Assembly, Extension 9 | 170283 | Gauge, Tape Lid 6 |
| 129848 | Screwdriver 3,15 | 148554 | Tape, 8 Level Test 9 | 170311 | Gauge, Tape Lid 6 |
| 135059 | Scale, 15 Lb Spring 2,15 | 149725 | Gauge, Punch Pin Penetration 10 | 172060 | Bender, Contact Spring 6,15,16 |
| 135060 | Roll, Tool 2,17 | 149836 | Cleaner, Punch Block 7, 16,17 | 172321 | Card, EC321 Circuit 9 |
| 135675 | Roll, Tool 2 | 150040 | Screw, 6-40 x 5/8 Fil 5 | 172322 | Card, EC322 Circuit 9 |
| 135676 | Handle 2,16 | 151351 | Hook, Pull Spring 4,15 | 172323 | Card, EC323 Circuit 9 |
| 135677 | Wrench, 1/4" Socket 2,16 | 151382 | Screwdriver 3,15 | 172324 | Card, EC324 Circuit 9 |
| 135678 | Wrench, 5/16" Socket 2, 16 | 151383 | Tool, Keylever Remover 5, 15 | 172325 | Card, EC325 Circuit 9 |
| 135679 | Blade, Adjusting 2 | 151384 | Holder, Screw 3,15,16,17 | 172326 | Card, EC326 Circuit 9 |
| 135680 | Blade, Adjusting 2 | 151392 | Tweezers 4,15,16,17 | 172333 | Card, EC333 Circuit 9 |
| 139676 | Drill 7 | 151394 | Brush, Type Cleaning 4,15 | 172347 | Card, EC347 Circuit 9 |
| 142554 | Hook Pull Spring 4,15,16, 17 | 151627 | Rod 5 | 172351 | Card, EC351 Circuit 9 |
| 142555 | Hook, Push Spring 4,15,16 | 151737 | Screw, 4-40 x 11/64 Hex 12 | 172352 | Card, EC352 Circuit 9 |
| 143089 | Clip, Armature 7,15,16 | 151880 | Nut, 4-40 Hex 12 | 172355 | Card, EC355 Circuit 9 |
| 143285 | Adhesive, 5 Oz Tube 14 | 151940 | Tool Set 15 | 172359 | Card, EC359 Circuit 9 |
| 143431 | Paint, 1 Pint 14 | 151959 | Hook, Pull Spring 4,15 | 172361 | Card, EC361 Circuit 9 |
| 143432 | Paint, 1 Pint 14 | 151982 | Lamp, 6V Incandescent 12 | 172363 | Card, EC363 Circuit 9 |
| 143433 | Paint, 1 Pint 14 | 152050 | Chart 11 | 172365 | Card, EC365 Circuit 9 |
| 143434 | Paint, 1 Pint 14 | 152223 | Scale, 70 Gram Spring 2,15,16,17 | 172374 | Card, EC374 Circuit 9 |
| 143435 | Paint, 1 Pint 14 | 152258 | Post, 3-3/16" Lg 5 | 172375 | Card, EC375 Circuit 9 |
| | | 152292 | Clip, Armature 5 | 172385 | Card, EC385 Circuit 9 |
| | | | | 172394 | Card, EC394 Circuit 9 |
| | | | | 172395 | Card, EC395 Circuit 9 |
| | | | | 172396 | Card, EC396 Circuit 9 |
| | | | | 172401 | Card, EC401 Circuit 9 |
| | | | | 172420 | Card, EC420 Circuit 9 |

NUMERICAL INDEX (Continued)

| Part Number | Description and Page Number | Part Number | Description and Page Number | Part Number | Description and Page Number |
|-------------|---------------------------------|-------------|---|-------------|-------------------------------------|
| 172431 | Card, EC431 Circuit 9 | 199382 | Maintenance Kit 5 | 310424 | Gauge, .150" 4 |
| 172450 | Card, Assembly, Extension 9 | 199383 | Post, 3-7/32" Lg 5 | 310425 | Gauge, .280" 4,17 |
| 172469 | Card, EC469 Circuit 9 | 199384 | Post, 3-1/2" Lg 5 | 310426 | Gauge, .320" 4,17 |
| 172473 | Card, EC473 Circuit 9 | 199413 | Wrench, 3/16" & 1/4" Offset Open End 7,16 | 310430 | Gauge Set, Feeler 4,16 |
| 172475 | Card, EC475 Circuit 9 | 301168 | Ink 12 Oz Special 8,16 | 311601 | Connector 12 |
| 172490 | Card, EC490 Circuit 9 | 301235 | Probe, Nozzle 10,16 | 312709 | Clip, Armature 5 |
| 173503 | Gauge, Tape Lid 6 | 301313 | Grease, 1-3/4 Oz 14,16 | 315783 | Tool Kit 17 |
| 175379 | Adhesive, 1 Pint 14 | 301409 | Tool, Magnet Adjusting 5,16 | 317212 | Splicer w/Roller, Tape 11 |
| 178489 | Clip, Armature 5 | 301486 | Pliers, Gripping 3,16 | 317325 | Patch, Blue Splicing 11 |
| 178833 | Connector, Adapter 3 Pt Plug 9 | 301487 | Pliers, Gripping 3,16 | 317326 | Patch, Red Splicing 11 |
| 178902 | Gauge, Tape 7 | 302400 | Gauge, Tape Chute 10,16 | 317327 | Patch, Lavender Splicing 11 |
| 179407 | Gauge, .090" 4 | 302448 | Gauge, Verifier 6,16 | 317328 | Patch, Green Splicing 11 |
| 179408 | Gauge, .100" 4 | 302990 | Gauge, Tape 7,17 | 318603 | Tool, Adjusting 5 |
| 179409 | Gauge, .110" 4 | 303069 | Tape, Test 9 | 318790 | Tool, Adjusting 11 |
| 179410 | Gauge, .120" 4 | 303098 | Tape, 8 Level Test 9 | 318874 | Gauge, Height 11 |
| 179411 | Gauge Set, Feeler 4,15 | 303099 | Tape, 8 Level Test 9 | 318875 | Gauge, Contact Alignment 11 |
| 179661 | Carrier Set 13 | 304364 | Paint, 1 Pint 14 | 320279 | Tape, 5 Level Test 9 |
| 180587 | Tool, Carriage Adjusting 9,16 | 304365 | Paint, 1 Pint 14 | 321052 | Concentrate, One Gallon Cleaning 14 |
| 180588 | Tool, Typewheel Adjusting 9,16 | 304366 | Paint, 1 Pint 14 | 321071 | Clip, Armature 5,15 |
| 180993 | Bender, Contact Spring 9, 16 | 304904 | Staple, Carrier 10 | 321078 | Concentrate, 5 Gal Cleaning 14 |
| 181465 | Adapter, Handwheel 5,16 | 305713 | Strip, 50 Ft Roll Foam 14 | 321942 | Chart, Code 11 |
| 182697 | Extractor, Terminal 9,16 | 304734 | Tape, 5 Level Test 9 | 323922 | Tool Kit 17 |
| 183103 | Gauge, Tape Reader 4,16 | 305735 | Tape, 8 Level Test 9 | 324519 | Gauge 11 |
| 184098 | Tool Selector Cam Removal 10,16 | 305825 | Tool, Lamp Extractor 11, 17 | 324883 | Shell, Connector 12 |
| 184183 | Magnet 11 | 307523 | Tool Kit 16 | 325710 | Connector 6,17 |
| 185701 | Label, Instruction 10 | 307605 | Gauge, Go Contact 10,16 | 325896 | Roll, Tool 12,17 |
| 185702 | Label, Instruction 10 | 307606 | Gauge, No Go Contact 10, 16 | 325991 | Holder, Tool 12 |
| 185829 | Bender, Contact Spring 10,16 | 307607 | Gauge, Contact Alignment 7,16 | 325992 | Tool, Terminal Removal 12 |
| 185830 | Tool Kit 16 | 307615 | Tool, Eccentric Adjusting 10,16 | 325993 | Tool, Terminal Removal 12 |
| 185832 | Clip, Armature 5,16 | 308373 | Gauge, Punch Pin Penetration 11,16,17 | 325994 | Tool, Terminal Insert 12 |
| 186307 | Wrench, Hex Key 3,16 | 309356 | Gauge, Feedwheel 3 | 325995 | Tool, Terminal Insert 12 |
| 186308 | Gauge, Keyboard Adjusting 11,16 | 310105 | Screwdriver, Potentiometer Adjusting 5,16 | 326060 | Gauge 11 |
| 186572 | Screw, 6-40 Thumb 12 | 310106 | Wrench, 1/8" Hex Key 3, 16 | 326742 | Tape, Test 9 |
| 186573 | Handle 12 | 310394 | Wiper, Nozzle 8,16,17 | 326743 | Tape, Test 9 |
| 186574 | Runner 12 | 310395 | Vise, Pin 8,16 | 328161 | Bit, Tool 11 |
| 186577 | Rack, Maintenance 12 | 310397 | Towels, Shop 14,16 | 328162 | Indicator w/Pin 11 |
| 194853 | Injector, Oil 8,17 | 310413 | Gauge, .147" & .153" 4 | 330048 | Tool Kit 17 |
| 195298 | Grease, 1 Lb 14 | 310420 | Gauge, .130" 4 | 330131 | Jumper, Cable 12,17 |
| 197671 | Disk, Indicator 5 | 310421 | Gauge, .135" 4 | 330511 | Socket, Crows Foot 12,17 |
| 197672 | Pointer 5 | 310422 | Gauge, .140" 4 | 330512 | Screwdriver, Hex Head Cap 12,17 |
| 197673 | Modification Kit 5 | 310423 | Gauge, .145" 4 | 330513 | Driver, Flexible 12,17 |
| 199367 | Post, 1-51/64" Lg 5 | | | 330514 | Wrench, 1/4" Sq Socket 12,17 |

NUMERICAL INDEX (Continued)

| Part Number | Description and Page Number | Part Number | Description and Page Number | Part Number | Description and Page Number |
|----------------|--------------------------------|----------------|--------------------------------|----------------|--------------------------------|
| 330520 | Tool Kit 17 | 333190 | Box 12 | 334503 | Filter 17 |
| 330990 | Kit, Bulb Replacement 12 | 333457 | Carrier Set 13 | 334508 | Cleaner, 5 Oz Hand 14,17 |
| 330993 | Extractor, Lamp 12 | 333869 | Lever, Lifting 13 | 334510 | Cleaner, Electrode 14,17 |
| 331041 | Gauge 12,17 | 334164 | Kit, Bulb Replacement 12 | 336152 | Magnet 6,17 |
| 331368 | Container, Tool Kit 6,17 | 334165 | Box 12 | 337607 | Glove 14,17 |
| 332751 | Disk, Indicator 11 | 334166 | Lamp, 6V Incandescent 12 | 337954 | Punch, Hand 3 |
| 332753 | Indicator Assembly 11,17 | 334500 | Aspirator, Ink 6,17 | 337988 | Cleaner, Contact 14 |